



Hellgate Bridge

The RailKing® Hell Gate Bridge is the standard by which all O-27 and O-Gauge structures will be measured. Constructed from sturdy ABS plastic, the RailKing Hell Gate Bridge comes fully assembled and ready for dual-track operation. It will support any two die-cast, plastic or brass O-Gauge trains ever produced. The RailKing Hell Gate Bridge can also be converted to 'low' configuration for layouts that make inclines impractical. Please follow the simple instructions for setup and operation found inside.

PLEASE READ BEFORE USE AND SAVE
www.mthtrains.com

Instructions

Basic Setup:

The RailKing Hell Gate Bridge comes fully assembled and ready for installment into your layout (see figure 1).

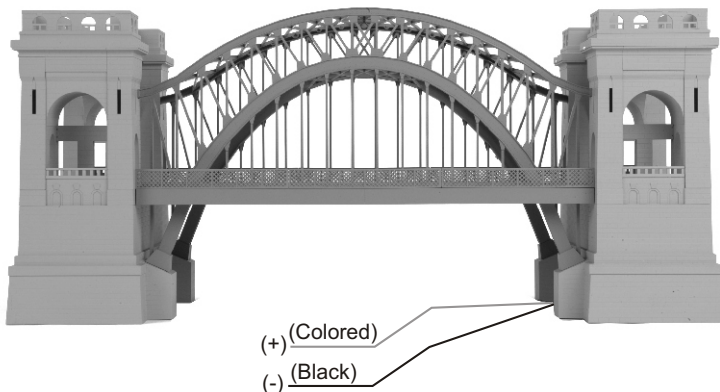
Basic Setup:

Each RailKing Hell Gate Bridge has a strobing light. Two wires exit from the inside edge of one of the tower bases. One wire is black. Connect the black wire to the negative (“-”, or “common”) power terminal or an outside rail terminal of a lock-on. The other wire will be green or red. (corresponding to the color of the bridge span). Connect the colored wire to the positive (+) power terminal or center rail terminal of a lock-on.

Operation:

The RailKing Hell Gate Bridge strobing light may be operated between 14 to 20 volts, AC or DC current. It may run continuously without overheating.

Figure 1



Track Installation:

MTH RealTrax

Mounting holes for RealTrax 10” and 30” straight sections are molded into the bridge roadbed (see figure 2).

Other Track Systems

For track systems other than MTH RealTrax, place the track on top of the bridge roadbed and mount the track using the track mounting screw holes provided in the frames. Track mounting screws are not included.

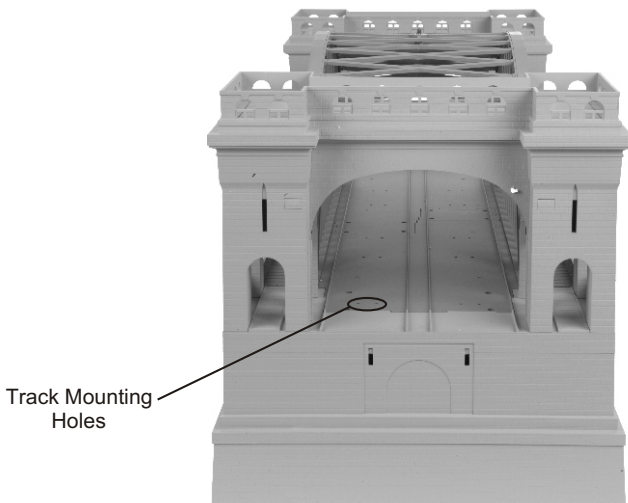
Note:

MTH recommends that at least 10” straight track extend outward from both sides of the RailKing Hell Gate Bridge. This will ensure that consists do not interfere with the bridge towers.

Bulb Replacement:

To replace the strobing light bulb, gently unscrew it from its socket. Replacement bulbs may be obtained directly from MTH.

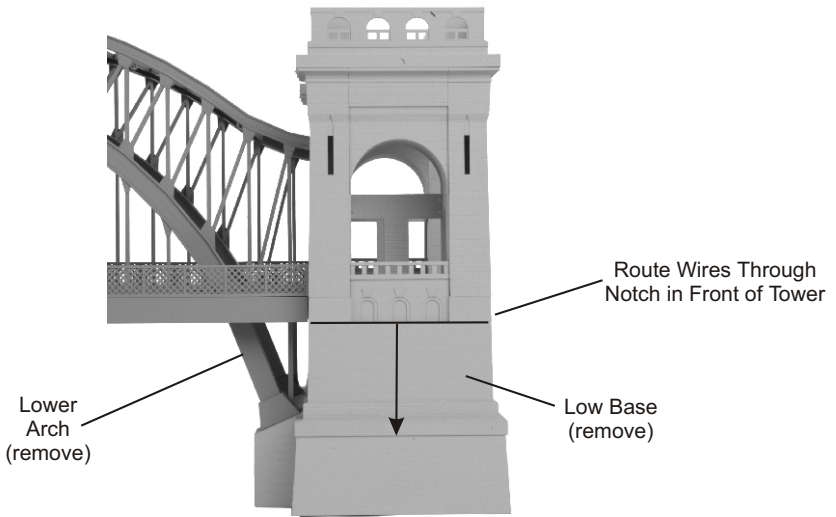
Figure 2



Conversion between “Low” and “High” Configurations:

To arrange your RailKing Hell Gate Bridge into the “Low” configuration, simply remove the screws attaching the Lower Base (2/model) and Lower Arches (4/model). Re-route the strobe light wires through one of the notches in the front of the tower.

Figure 3



Service & Warranty Information

How to Get Service Under the Terms of the Limited One-Year Warranty

When you suspect an item is defective, please check the operator's manual for standard operation and troubleshooting techniques that may correct the problem. Additional information may be found on the M.T.H. Website. Should you still require service, follow the instructions below to obtain warranty service.

First, e-mail, write, call or fax M.T.H. Electric Trains or a M.T.H. Authorized Service Center (ASC) in your area to obtain Repair Authorization. You can find the list of ASCs on the M.T.H. Website, www.mth-railking.com. Authorized Service Centers are required to make warranty repairs on items sold *only* from that store; all other repairs may-- or may not be done at the store's own discretion. If you did not purchase the item directly from the ASC, you will need to select a National Authorized Service Center (NASC) or contact M.T.H. Electric Trains directly. NASC Dealers are compensated by M.T.H. to perform warranty service for any customer whose repair qualifies for warranty service. A list of NASC retailers can be located on the M.T.H. Website or by calling 410-381-2580. Should the warranty no longer apply, you may choose either an ASC or NASC retailer to service your M.T.H. Product. A reasonable service fee will be charged.

CAUTION: Make sure the product is packed in its original factory packaging including its foam and plastic wrapping material to prevent damage to the merchandise. There is no need to return the entire set if only one of the components is in need of repair *unless otherwise instructed by the Service Center*. **The shipment must be prepaid and we recommend that it be insured. A cover letter including your name, address, daytime phone number, e-mail address (if available), Return Authorization number (if required by the service center, a copy of your sales receipt and a full description of the problem must be included to facilitate the repairs. Please include the description regardless of whether you discussed the problem with a service technician when contacting the Service Center for your Return Authorization.**

Please make sure you have followed the instructions carefully before returning any merchandise for service. Authorized M.T.H. Service Centers are independently owned and operated and are not agents or representatives of M.T.H. Electric Trains. M.T.H. assumes no responsibility, financial or otherwise, for material left in their possession, or work done, by privately owned M.T.H. Authorized Service Centers. If you need assistance at any time email MTH Service at service@mth-railking.com, or call 410 381-2580.

Limited One-Year Warranty

All M.T.H. products purchased from an Authorized M.T.H. Retailer are covered by this warranty. See our Website to identify an Authorized M.T.H. Retailer near you.

M.T.H. products are warrantied for one year from the date of purchase against defects in material or workmanship, excluding wear items such as light bulbs, pick-up rollers, batteries, smoke unit wicks, and traction tires. We will replace or credit (at our option) any defective item with a manufactured suggested retail price of \$279.95 or less (excluding all motive power and electronic items), if the item is returned to an M.T.H. Authorized Service Center (ASC) or M.T.H. National Authorized Service Center (NASC) within one year of the original date of purchase. For any item with an MSRP greater than \$279.95 (including all motive power and electronics), We will repair, replace or credit (at our option) the defective item without charge for the parts or labor, if the item is returned to an M.T.H. Authorized Service Center (ASC) or M.T.H. National Authorized Service Center (NASC) within one year of the original date of purchase. This warranty does not cover damages caused by improper care, handling, or use. Transportation costs incurred by the customer to ship the product for warranty service are not covered under this warranty.

Items sent for repair must be accompanied by a return authorization number, a description of the problem, and a copy of the original sales receipt from an Authorized M.T.H. Retailer stating the date of purchase. If you are sending this product to an Authorized Service Center, contact that Center for their return authorization.

This warranty gives you specific legal rights, and you may have other rights that vary from state to state. Specific questions regarding the warranty may be forwarded to M.T.H. directly

Service Department
M.T.H. Electric Trains
7020 Columbia Gateway Drive
Columbia MD 21046-1532
410-381-2580
service@mth-railking.com