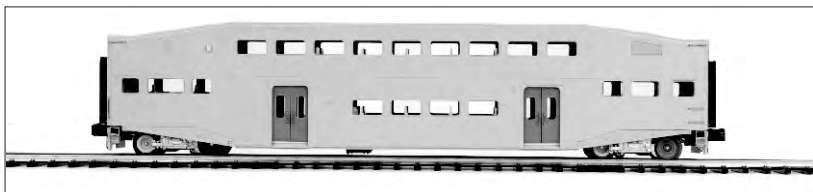




# Premier Bombardier Passenger Set Operator's Manual



## Compatibility

The Premier Bombardier Cars easily increase seating capacity on your hard working passenger lines. The control unit, found in the 4-car sets, with its additional lights and cab, gives the illusion that it's taking charge when you back up a consist. The cars operate on O-42 or larger curved track.

Please Read Before Use and Save

# Table of Contents

Operating Control Car Lights .....	3
Changing Coach Car Lights .....	4
Changing Control Car Lights .....	5
Kadee Mounting .....	8
Service & Warranty .....	10

**CAUTION: ELECTRICALLY OPERATED PRODUCT:**

Recommended for Ages 14 and up. Not recommended for children under 14 years of age without adult supervision. As with all electric products, precautions should be observed during handling and use to prevent electric shock.

**WARNING:** When using electrical products, basic safety precautions should be observed, including the following:

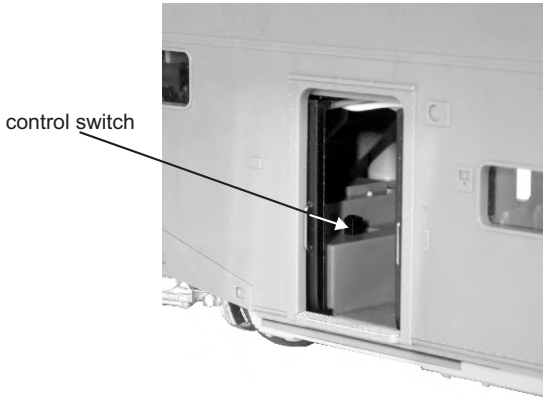
- Read this manual thoroughly before using this device.
- M.T.H. recommends that all users and persons supervising use examine the hobby transformer and other electronic equipment periodically for conditions that may result in the risk of fire, electric shock, or injury to persons, such as damage to the primary cord, plug blades, housing, output jacks or other parts. In the event such conditions exist, the train set should not be used until properly repaired.
- Do not operate your layout unattended. Obstructed accessories or stalled trains may overheat, resulting in damage to your layout.
- This train set is intended for indoor use. Do not use if water is present. Serious injury or fatality may result.
- Do not operate the hobby transformer with damaged cord, plug, switches, buttons or case.

This product may be protected by one or more of the following patents: 6,019,289; 6,280,278; 6,281,606; 6,291,263; 6,457,681; 6,491,263; 6,604,641; 6,619,594; 6,624,537; 6,655,640.

©2017, M.T.H. Electric Trains®, Columbia, MD 21046

# Turning Control Car Lights On/Off

Control car lights are operated by a switch inside the car.

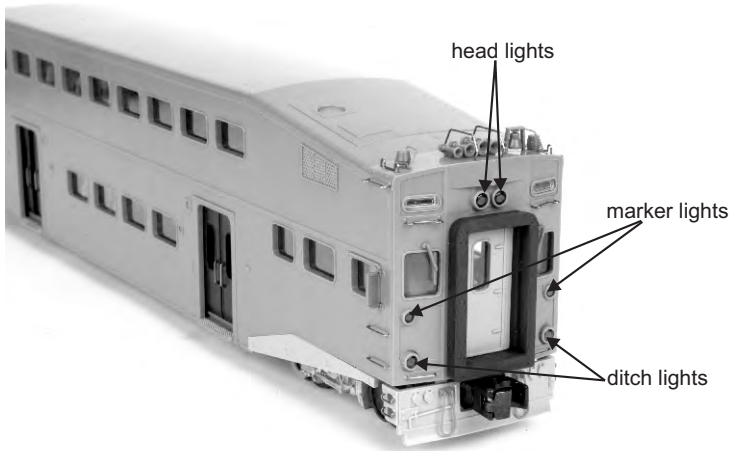


**Switch:** Controls headlights and marker lights.

Position 1 (position closest to you) = Marker lights on. Headlight and Ditch-lights off.

Position 2 (center position) = Marker lights off. Headlight and Ditch-lights on.

Position 3 (position farthest away) = Marker lights off. Headlights are on. Ditch-lights flash.



# LED Lighting

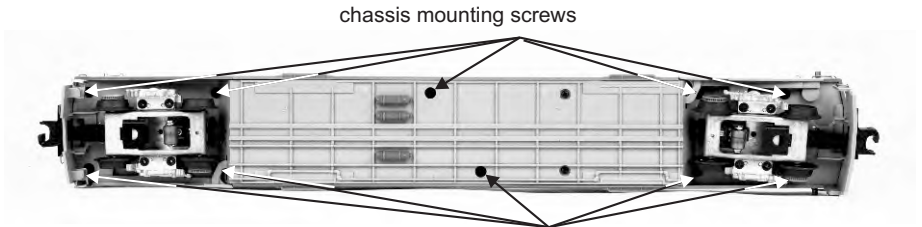
LED lights are used for the car's overhead lighting. These small LEDs require a lot less power and generate a lot less heat than incandescent bulbs, resulting in extremely long life compared to the incandescent bulbs.

If you need to access the interior for light maintenance please follow the disassembly instructions below.

## Changing the Roof Lights - Coach Car

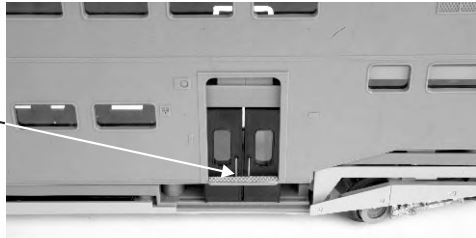
To access roof lights:

1. Remove the 10 recessed screws.

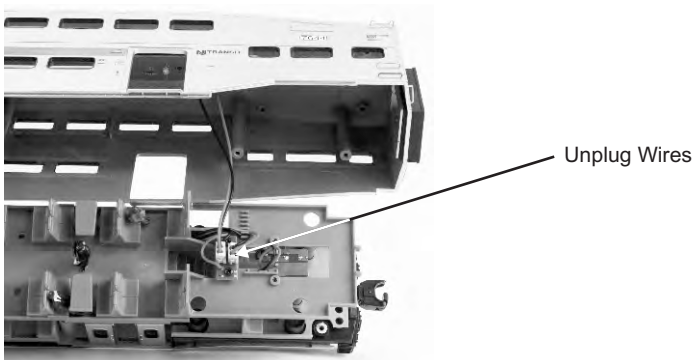


2. Carefully lift body upward. You will need to pull the body outward, over the door handrails.

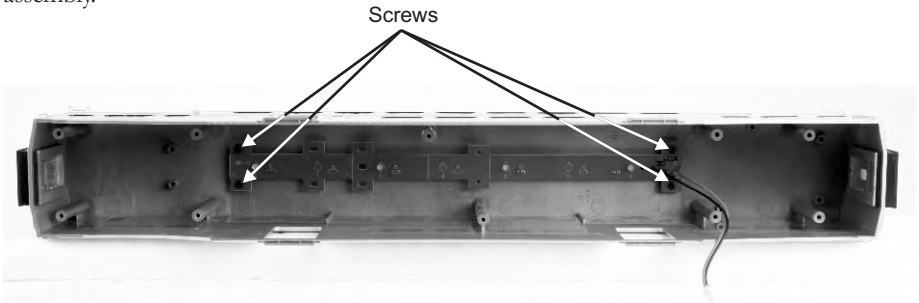
The sides have to be pulled out and lifted over the door railings.



3. Unplug wires from circuit board.

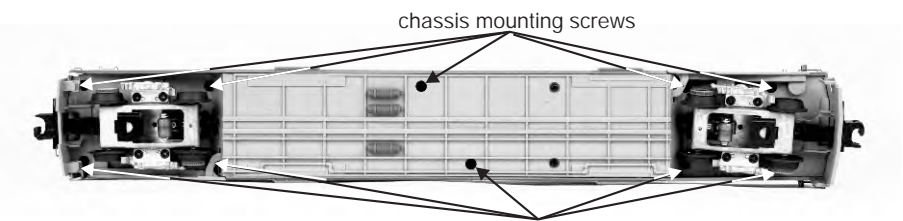


4. To replace the interior lights unscrew the light boards and remove and replace the entire assembly.



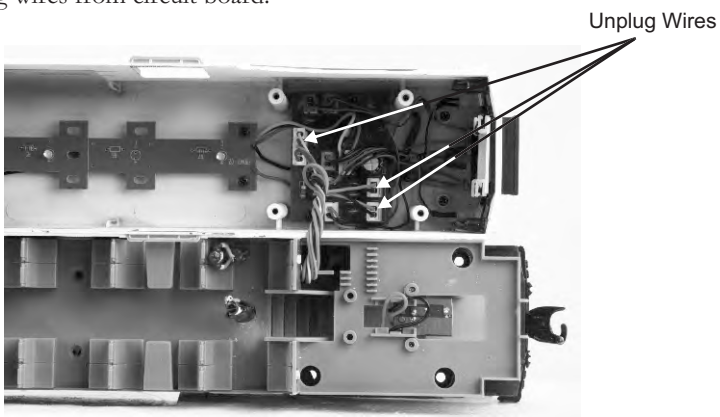
### Changing the Roof Lights - Control Car

1. Remove the 10 recessed screws.

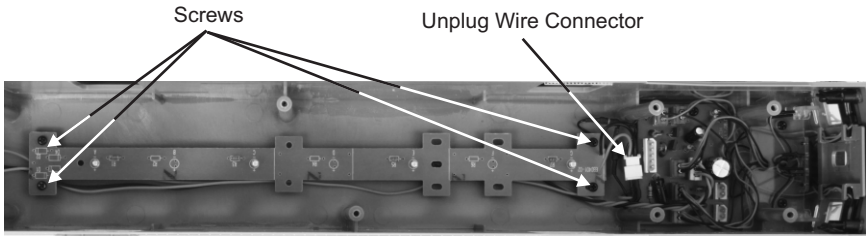


2. Carefully lift body upward. You will need to pull the body outward, over the door handrails.

3. Unplug wires from circuit board.

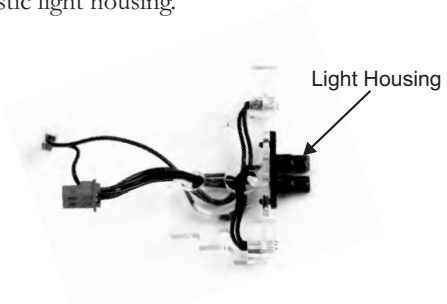


4. To replace the interior lights unscrew the light boards and unplug the wire connector. Then remove and replace the entire assembly.



## Headlights and Number Board Lights

1. Unscrew the 2 screws that hold the plastic light housing.



2. Pull the bulbs from the housing and remove the wires and 2-pin connector. Replace entire wire harness unit.

*If you had to pull any of the lighting wires from their track in order to change the bulbs, tuck them carefully back into place to prevent harmful contact with other internal parts and from hanging down into sight once the car is reassembled and operating.*

## Marker Lights and Ditch Lights

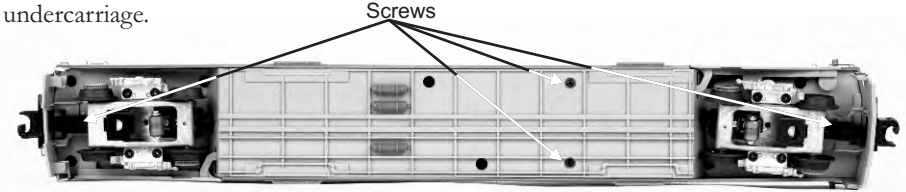
1. Pull the bulbs from the end of the car, remove the wires from the guides and unplug the 2-pin connector. Replace entire wire housing unit.

*If you had to pull any of the lighting wires from their track in order to change the bulbs, tuck them carefully back into place to prevent harmful contact with other internal parts and from hanging down into sight once the car is reassembled and operating.*

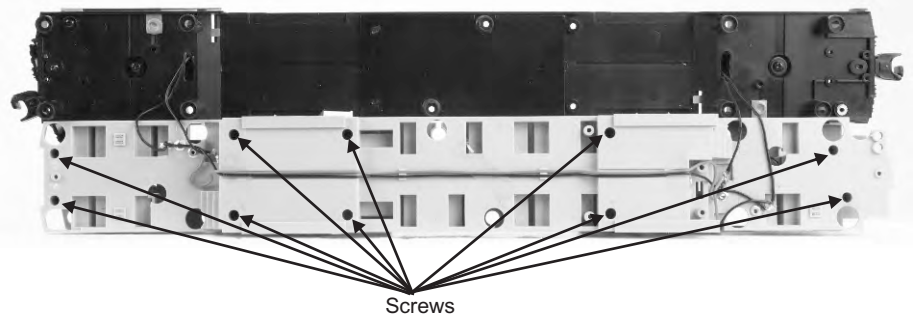


# To Access the Interior Lights

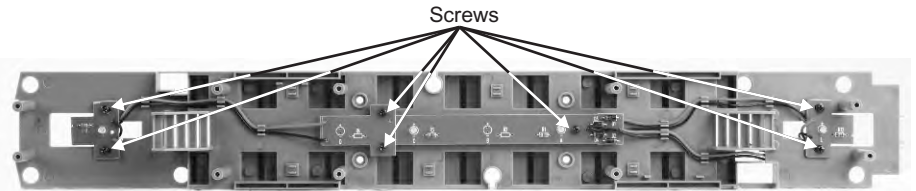
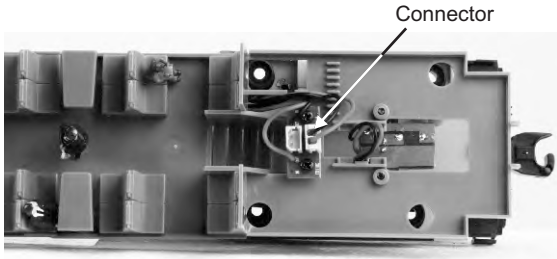
- 1. Follow steps 1-3 on page 4 for accessing roof lights, then:
- 2. Remove the 4 screws on the bottom of the car to release the interior from the undercarriage.



- 3. Then remove the 10 recessed screws on the bottom of the interior to release the upper portion of the interior.



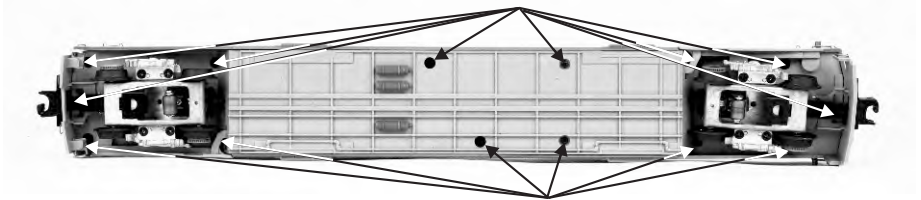
- 4. To replace the interior lights first remove the connector from the top of the interior then unscrew the light boards and remove and replace the entire assembly.



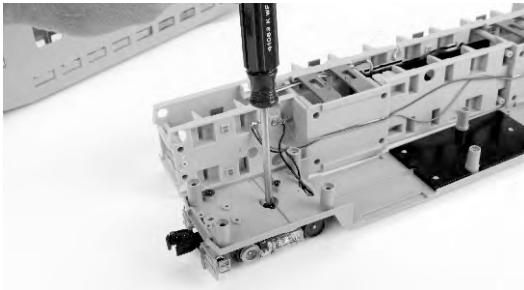
## Kadee Coupler Mounting

To install an O-Scale Kadee coupler, please follow the instructions below. You will need to use the Kadee O-Scale Coupler #806. You can purchase this Kadee coupler from a Kadee Retailer. For your convenience MTH has provided 2 spacers (for each car) for mounting the Kadee couplers. Kadee is a registered trademark of Kadee Quality Products Co.

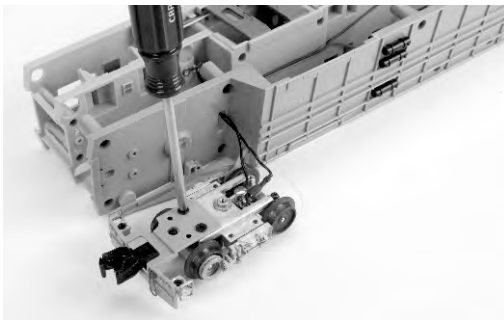
1. Remove 14 screws from the bottom of the car and remove the undercarriage from the body.



2. Remove 2 truck mounting screws.

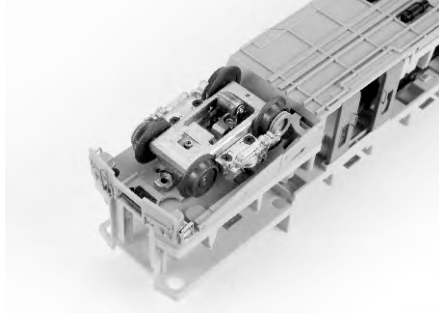


3. Remove the pilot from the truck by removing the 2 screws on top of the truck.

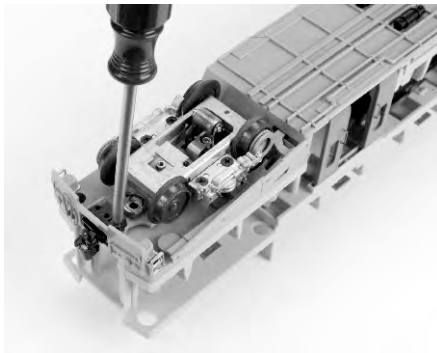




4. Attach the pilot to the bottom of the base. Then remove the coupler from the truck and reattach the truck to the base.



5. Line the spacer & Kadee Coupler up w/the holes in the undercarriage and screw them down.



6. Reassemble the undercarriage in reverse order.

# Service & Warranty Information

## How to Get Service Under the Terms of the Limited One-Year Warranty

When you suspect an item is defective, please check the operator's manual for standard operation and trouble-shooting techniques that may correct the problem. Additional information may be found on the M.T.H. Website. Should you still require service, follow the instructions below to obtain warranty service. First, e-mail, write, call or fax a M.T.H. Authorized Service Center (ASC) in your area to obtain Repair Authorization. You can find the list of ASCs on the M.T.H. Website, [www.mthtrains.com](http://www.mthtrains.com). Authorized Service Centers are required to make warranty repairs on items sold only from that store; all other repairs may-- or may not be done at the store's own discretion. If you did not purchase the item directly from the ASC, you will need to select a National Authorized Service Center (NASC). These centers are compensated by M.T.H. to perform warranty service for any customer whose repair qualifies for warranty service. A list of NASC retailers can be located on the M.T.H. Website or by calling 410-381-2580. Should the warranty no longer apply, you may choose either an ASC or NASC retailer to service your M.T.H. Product. A reasonable service fee will be charged.

**CAUTION:** Make sure the product is packed in its original factory packaging including its foam and plastic wrapping material to prevent damage to the merchandise. There is no need to return the entire set if only one of the components is in need of repair unless otherwise instructed by the Service Center. The shipment must be prepaid and we recommend that it be insured. A cover letter including your name, address, daytime phone number, e-mail address (if available), Return Authorization number (if required by the service center, a copy of your sales receipt and a full description of the problem must be included to facilitate the repairs. Please include the description regardless of whether you discussed the problem with a service technician when contacting the Service Center for your Return Authorization.

Please make sure you have followed the instructions carefully before returning any merchandise for service. Authorized M.T.H. Service Centers are independently owned and operated and are not agents or representatives of M.T.H. Electric Trains. M.T.H. assumes no responsibility, financial or otherwise, for material left in their possession, or work done, by privately owned M.T.H. Authorized Service Centers.

If you need assistance at any time email MTH Service at [service@mth-railking.com](mailto:service@mth-railking.com), or call 410 381-2580.

### Limited One-Year Warranty

All M.T.H. products purchased from an M.T.H. Authorized Retailer are covered by this warranty provided the product was manufactured within five years of the date of purchase. This warranty is for the original purchaser and is non-transferable.

See our website [www.mthtrains.com](http://www.mthtrains.com) to identify an M.T.H. Authorized Retailer near you.

M.T.H. products may be registered online in advance of warranty work at [www.mthtrains.com/warranty](http://www.mthtrains.com/warranty). The original sales receipt and the conditions below must be met regardless of whether the product is registered on the M.T.H. website in order to obtain warranty service.

M.T.H. products manufactured within five years from the date of purchase are warranted for one year against defects in material or workmanship, excluding wear items such as light bulbs, pick-up rollers, batteries, smoke unit wicks, and traction tires. We will repair, replace, or credit (at our option) the defective part without charge for the parts or labor if the following conditions are met: (1) the item is returned to an M.T.H. Authorized Service Center\* (ASC) or M.T.H. National Authorized Service Center (NASC) or M.T.H. Electric Trains Service Department, (2) was manufactured within the previous five years and (3) was purchased within one year of the original date of purchase from an M.T.H. Authorized Retailer. Products manufactured after the five year cutoff from the date of purchase are not covered under any warranty by M.T.H. Electric Trains. The manufacture date of an item can be verified on the item's detail page "shipping date field" on the M.T.H. website ([www.mthtrains.com](http://www.mthtrains.com)). This warranty does not cover damages caused by improper care, handling, or use. Transportation costs incurred by the customer are not covered under this warranty.

Items sent for repair must be accompanied by a return authorization number, a description of the problem, and a **copy of the original sales receipt from an M.T.H. Authorized Retailer**, which gives the date of purchase. If you are sending this product to an Authorized Service Center, contact that Center for their return authorization.

This warranty gives you specific legal rights, and you may have other rights that vary from state to state. Specific questions regarding the warranty may be forwarded to M.T.H. Directly.

\* Authorized Service Centers (ASC) are only obligated to provide warranty service for any consumer who has purchased the specific M.T.H. item from them that requires service work.

Service Department:  
M.T.H. Electric Trains  
7020 Columbia Gateway Drive  
Columbia MD 21046-1532