



HO TRAINS THAT DO MORE

HO 10-CAR PASSENGER CAR

80-60001

80-60007

PARTS LIST & EXPLODED VIEW

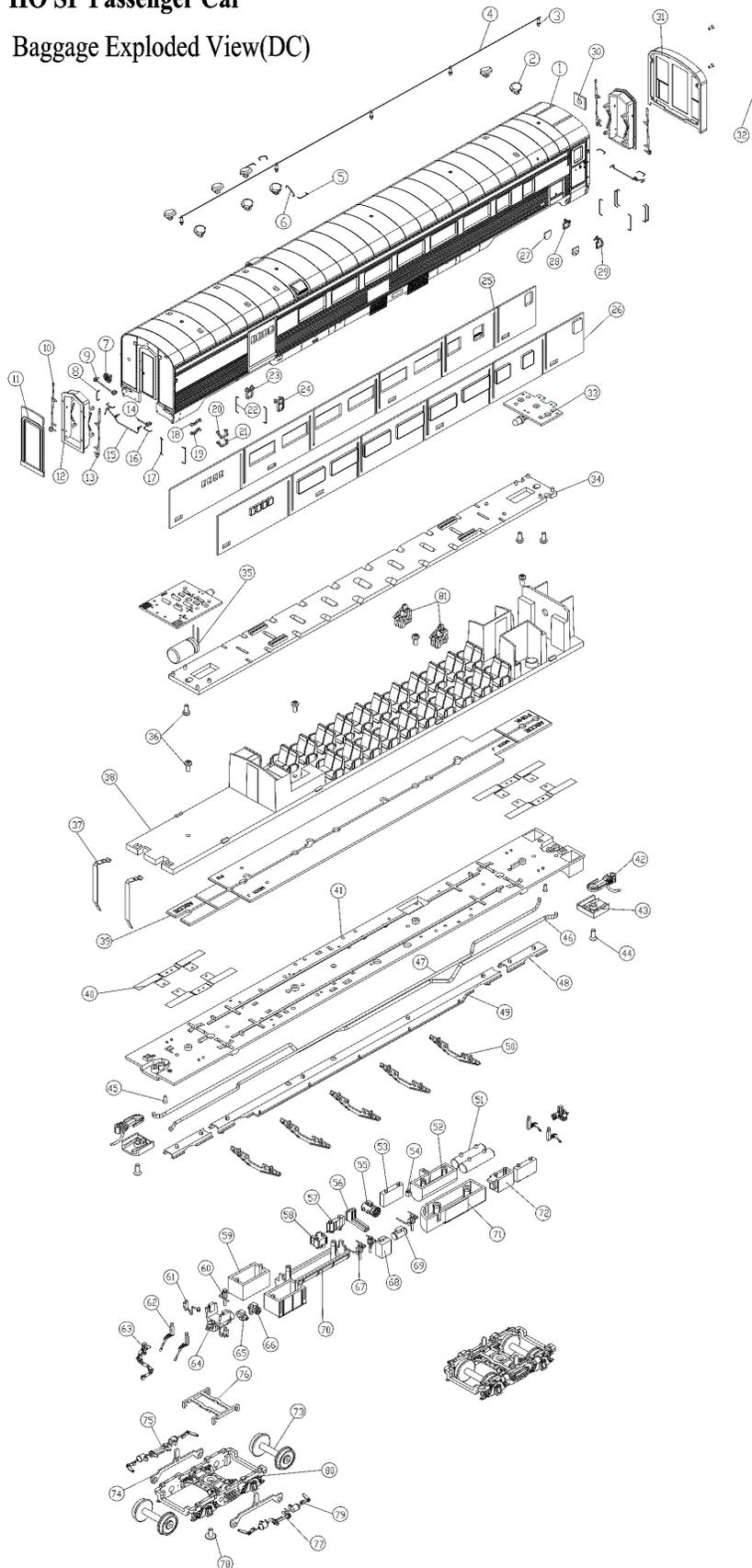
REV. 07.2015

PARTS LIST: BAGGAGE PARTS(DC)

1.) BAGGAGE CHAIR BODY #3303	FF-6603005027	51.) SUPPLY RESERVOIR 1	GB-6603005028
1.) BAGGAGE CHAIR BODY #3302	FF-6603005028	52.) MAKE-UP WATER TANK	GB-6603005040
2.) SP DETAIL AT ROOF 1	GA-6603005046	53.) ELEVATOR CONTROL BOX	GA-6603005037
3.) ANTENNA HOLDERS AT ROOF	GA-6603005039	54.) SMALL VALVE	GB-6603005054
4.) ANTENNA WIRE AT ROOF	GA-6603005081	55.) MAIN RESERVION	GB-6603005051
5.) HANDRAIL AT ROOF 2	GA-6603005075	56.) WATER TANK PART 1	GB-6603005034
6.) HANDRAIL AT ROOF 1	GA-6603005074	57.) CONTROL VALVE	GB-6603005052
7.) HANDWHEEL #3303	GA-6603005053	58.) CONTROL VALVE 2	GB-6603005053
7.) HANDWHEEL #3302	GA-6603005054	59.) BATTERY BOX 1	GB-6603005033
8.) GRIP AT F DOOR	GA-6603005085	60.) AIR VENT PIPE 3	GA-6603005043
9.) LONG PIPE AT FRONT END	GA-6633005002	61.) METER SYSTEM	GA-6603005040
10.) DIAPHRAGM PIPE L	GA-6623005005	62.) AIR HOSE	GB-6603005049
11.) DIAPHRAGM PLATE	GA-6603005055	63.) HEAT PIPE	GA-6603005086
12.) DIAPHRAGM	FI-6603005001	64.) GENERATOR 2	GB-6603005037
13.) DIAPHRAGM PIPE R	GA-6613005005	65.) MOTOR GENERATOR 2	GB-6603005038
14.) SHORT PIPE AT FRONT	GA-6633005003	66.) MOTOR GENERATOR 1	GB-6603005055
15.) LIFT BAR AT REAR	GB-6643005001	67.) AIR VENT PIPE 2	GB-6603005048
16.) SP HANDRAIL AT REAR BOTTOM	GA-6643005002	68.) RADIO CONVERTER BOX	GB-6603005039
17.) SP HANDRAIL AT SIDE REAR	GA-6643005003	69.) A.P.W.S RESERVIOR 1	GB-6603005056
18.) SP LADDER 1L	GA-6623005001	70.) WATER TANK 1	GB-6603005027
19.) SP LADDER 2L	GA-6623005002	71.) REFRIGERATION UNIT	GB-6603005041
20.) SP LADDER 1R	GA-6613005001	72.) EJECTOR CONTROL BOX	GB-6603005042
21.) SP LADDER 2R	GA-6613005002	73.) 2-AXLE-WHEEL ASSY(DC)	DC-6603005001
22.) HANDRAIL AT FRONT	GA-6633005005	74.) PICK UP FOR 2 AXLE TRUCK	BD-6603005004
22.) HANDRAIL AT FRONT	GA-6633005030	75.) TRUCK FOR TWO AXLE ROD R	GB-6613005001
23.) SP LADDER 5R	GA-6613005003	76.) PRESS PLATE	GB-6603005059
24.) SP LADDER 5L	GA-6623005003	77.) TRUCK FOR TWO AXLE ROD L	GB-6623005001
25.) BAGGAGE CHAIR WINDOW R #3303	FA-6613005003	78.) SCREW (2.0MM X 4.0MM) W/WASHER	IA-0000204
25.) BAGGAGE CHAIR WINDOW R #3302	FA-6613005004	79.) TRUCK FOR TWO AXLE CYLINDER	GB-6603005001
26.) BAGGAGE CHAIR WINDOW L #3303	FA-6623005003	80.) TRUCK FOR TWO AXLE	DA-6603005001
26.) BAGGAGE CHAIR WINDOW L #3302	FA-6623005004	81.) HUMAN	FI-6603005020
27.) SIDE BOTTOM LIGHTS	CF-6603005001		
28.) SP LADDER 3L	GA-6623005004		
29.) SP LADDER 3R	GA-6613005004		
30.) SP WINDOW AT END DOOR	FA-6643005001		
31.) SP NARROW RUBBER DOOR ASSY	FI-6603005002		
32.) SCREW (1.0MM X 2.0MM)	IA-0000201		
33.) PCB GROUP	AG-6603005001		
34.) ROOF LIGHT BAR 1	CI-6603005001		
35.) CAPACITOP	AI-0003001		
36.) SCREW (1.7MM X 4.5MM)	IA-0000203		
37.) PICK UP FOR PCB 2	BD-6603005006		
38.) BAGGAGE CHAIR FLOOR #3303	GA-6603005029		
38.) BAGGAGE CHAIR FLOOR #3302	GA-6603005030		
39.) WEIGHT	GB-6603005054		
40.) PICK UP FOR PCB 1	BD-6603005005		
41.) BAGGAGE CHAIR CHASSIS	GB-6603005007		
42.) KADEE COUPLER GROUP	GB-6603005053		
43.) COUPLER COVER	GB-6603005060		
44.) SCREW (2.0MM X 6.0MM)F	IA-0000090		
45.) SCREW (1.2MM X 3.5MM)F	IA-0000202		
46.) PIPE WIRE 2	GA-6603005084		
47.) PIPE WIRE 1	GA-6603005083		
48.) SP SHORT BOTTOM BEAM 1	GB-6603005020		
49.) SP LONG BOTTOM BEAM 5	GB-6603005022		
50.) CHASSIS STRIP	GB-6603005052		

EXPLODED VIEW: BAGGAGE PARTS(DC)

HO SP Passenger Car Baggage Exploded View(DC)

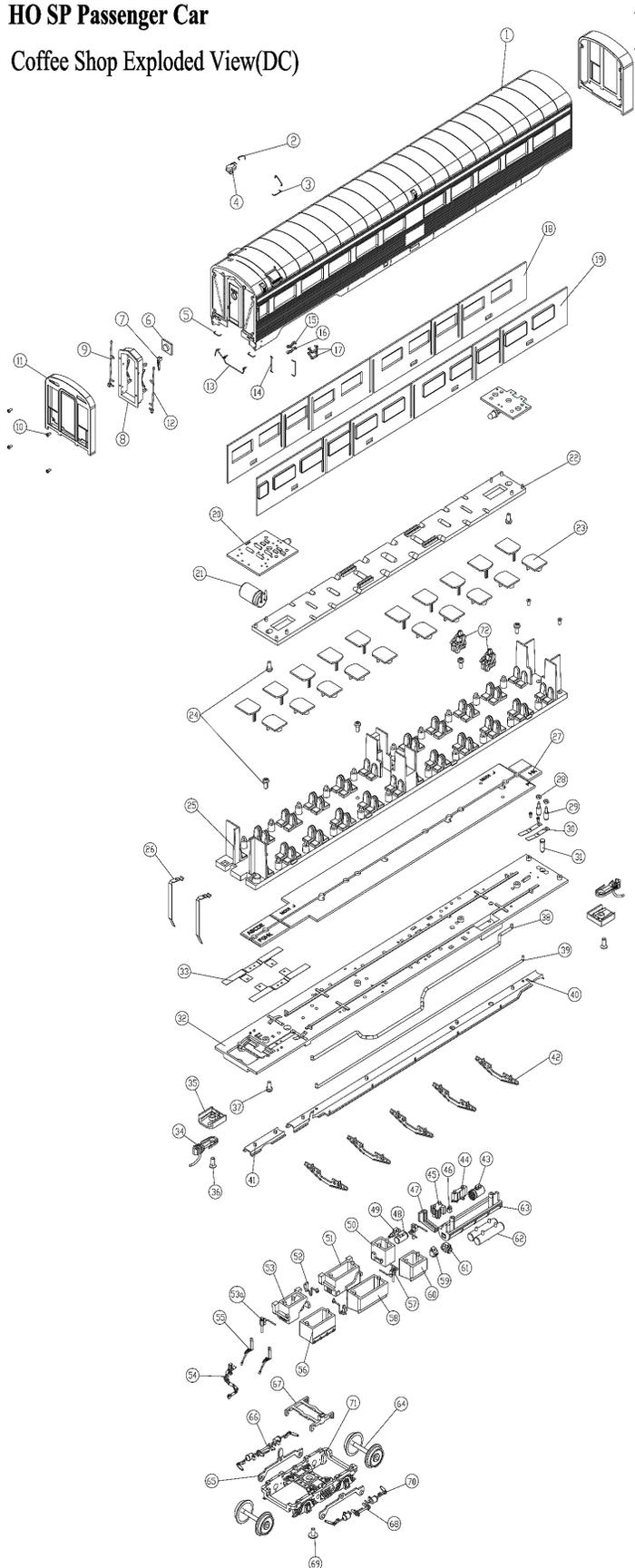


PARTS LIST: COFFEE SHOP PARTS(DC)

1.) COFFEE SHOP BODY #10261	FF-6603005021	51.) ICE ENGINE	GB-6603005030
1.) COFFEE SHOP BODY #10258	FF-6603005022	52.) METER SYSTEM	GA-6603005040
1A.) SP WIDE RUBBER DOOR ASSY	FI-6603005003	53.) ENGINE GENERATOR 1	GB-6603005029
2.) HANDRAIL AT ROOF 1	GA-6603005074	53A.) AIR VENT PIPE 4	GA-6603005044
3.) HANDRAIL AT ROOF 2	GA-6603005075	54.) HEAT PIPE	GA-6603005086
4.) SP DETAIL AT ROOF 1	GA-6603005046	55.) AIR HOSE	GB-6603005049
5.) SP HANDRAIL AT REAR BOTTOM	GA-6643005002	56.) BATTERY BOX 1	GB-6603005033
6.) SP WINDOW AT END DOOR	FA-6643005001	57.) AIR VENT PIPE 2	GB-6603005048
7.) DETAIL AT REAR DOOR	GA-6643005001	58.) FUEL CABIN-4 CYLINDER	GB-6603005032
8.) DIAPHRAGM	FI-6603005001	59.) CONTROL VALVE 1	GB-6603005058
9.) DIAPHRAGM PIPE L	GA-6623005005	60.) FUEL CABIN-2 CYLINDER	GB-6603005031
10.) SCREW (1.0MM X 2.0MM)	IA-0000201	61.) MOTOR GENERATOR 1	GB-6603005055
11.) SP NARROW RUBBER DOOR ASSY	FI-6603005002	62.) SUPPLY RESERVOIR 2	GB-6603005043
12.) DIAPHRAGM PIPE R	GA-6613005005	63.) WATER TANK 1	GB-6603005027
13.) LIFT BAR AT REAR	GB-6643005001	64.) 2-AXLE-WHEEL ASSY(DC)	DC-6603005001
14.) SP HANDRAIL AT SIDE REAR	GA-6643005003	65.) PICK UP FOR 2 AXLE TRUCK	BD-6603005004
15.) SP LADDER 1L	GA-6623005001	66.) TRUCK FOR TWO AXLE ROD R	GB-6613005001
16.) SP LADDER 2L	GA-6623005002	67.) PRESS PLATE	GB-6603005059
17.) SP LADDER 1R	GA-6613005001	68.) TRUCK FOR TWO AXLE ROD L	GB-6623005001
17A.) SP LADDER 2R	GA-6613005002	69.) SCREW (2.0MM X 4.0MM) W/WASHER	IA-0000204
18.) COFFEE SHOP WINDOW R #10261	FA-6613005031	70.) TRUCK FOR TWO AXLE CYLINDER	GB-6603005001
18.) COFFEE SHOP WINDOW R #10258	FA-6613005032	71.) TRUCK SET FOR TWO AXLE	DA-6603005001
19.) COFFEE SHOP WINDOW L #10261	FA-6623005031	72.) HUMAN	FI-6603005020
19.) COFFEE SHOP WINDOW L #10258	FA-6623005032		
20.) PCB GROUP	AH-6603005001		
21.) CAPACITOP	AI-0003001		
22.) ROOF LIGHT BAR 2	CI-6603005002		
23.) TABLE 1	GA-6603005056		
24.) SCREW (1.7MM X 4.5MM)	IA-0000203		
25.) COFFEE SHOP FLOOR #10261	GA-6603005033		
25.) COFFEE SHOP FLOOR #10258	GA-6603005034		
26.) PICK UP FOR PCB 2	BD-6603005006		
27.) WEIGHT	GB-6603005054		
28.) NUT FOR PICK UP PIN	GB-6603005061		
29.) PIN FOR PICK UP	BD-6603005001		
30.) SPRING PLATE FOR PICK UP PIN	BD-6603005008		
31.) SP PIN FOR JOIN	GA-6603005071		
32.) COFFEE SHOP CHASSIS	GB-6603005009		
33.) PICK UP FOR PCB 1	BD-6603005005		
34.) KADEE COUPLER GROUP	GB-6603005053		
35.) COUPLER COVER	GB-6603005060		
36.) SCREW (2.0MM X 6.0MM)F	IA-0000090		
37.) SCREW (1.2MM X 3.5MM)F	IA-0000202		
38.) PIPE WIRE 2	GA-6603005078		
39.) PIPE WIRE 1	GA-6603005077		
40.) SP LONG BOTTOM BEAM 3	GB-6603005018		
41.) SP SHORT BOTTOM BEAM 1	GB-6603005020		
42.) CHASSIS STRIP	GB-6603005052		
43.) MAIN RESERVION	GB-6603005051		
44.) CONTROL VALVE	GB-6603005052		
45.) CONTROL VALVE 2	GB-6603005053		
46.) SMALL VALVE	GB-6603005054		
47.) WATER TANK PART 1	GB-6603005034		
48.) A.P.W.S RESERVIOR 1	GB-6603005056		
49.) RECEIVER TANK	GB-6603005057		
50.) SUB COOLER	GA-6603005036		

EXPLODED VIEW: COFFEE SHOP PARTS(DC)

HO SP Passenger Car Coffee Shop Exploded View(DC)

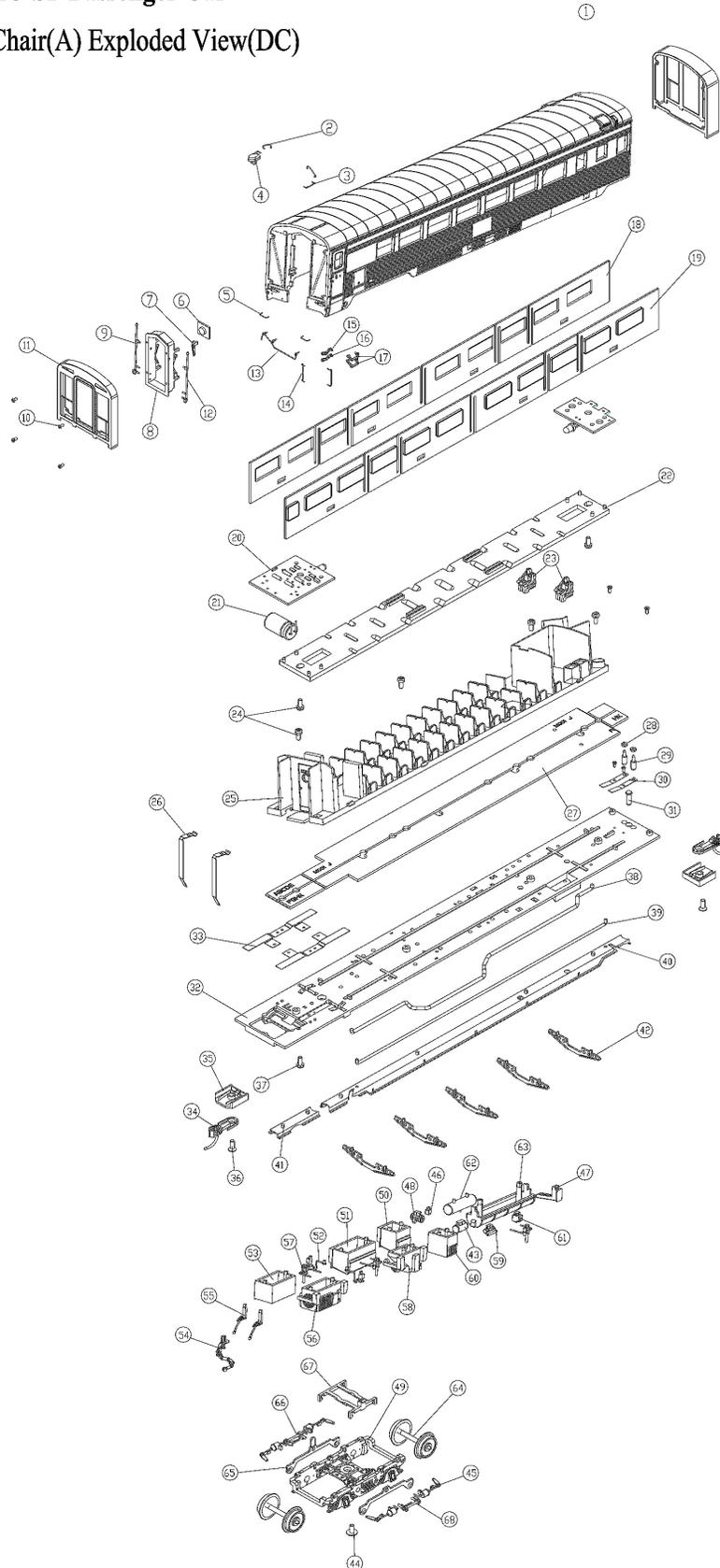


PARTS LIST: CHAIR(A) PARTS(DC)

1.) CHAIR(A) BODY #2473	FF-6603005014	51.) ICE ENGINE	GB-6603005030
1.) CHAIR(A) BODY #2471	FF-6603005015	52.) METER SYSTEM	GA-6603005040
1A.) SP WIDE RUBBER DOOR ASSY	FI-6603005003	53.) ENGINE GENERATOR 1	GB-6603005029
2.) HANDRAIL AT ROOF 1	GA-6603005074	53A.) AIR VENT PIPE 4	GA-6603005044
3.) HANDRAIL AT ROOF 2	GA-6603005075	54.) HEAT PIPE	GA-6603005086
4.) SP DETAIL AT ROOF 1	GA-6603005046	55.) AIR HOSE	GB-6603005049
5.) SP HANDRAIL AT REAR BOTTOM	GA-6643005002	56.) BATTERY BOX 1	GB-6603005033
6.) SP WINDOW AT END DOOR	FA-6643005001	57.) AIR VENT PIPE 2	GB-6603005048
7.) DETAIL AT REAR DOOR	GA-6643005001	58.) FUEL CABIN-4 CYLINDER	GB-6603005032
8.) DIAPHRAGM	FI-6603005001	59.) CONTROL VALVE 1	GB-6603005058
9.) DIAPHRAGM PIPE L	GA-6623005005	60.) FUEL CABIN-2 CYLINDER	GB-6603005031
10.) SCREW (1.0MM X 2.0MM)	IA-0000201	61.) MOTOR GENERATOR 1	GB-6603005055
11.) SP NARROW RUBBER DOOR ASSY	FI-6603005002	62.) SUPPLY RESERVOIR 2	GB-6603005043
12.) DIAPHRAGM PIPE R	GA-6613005005	63.) WATER TANK 1	GB-6603005027
13.) LIFT BAR AT REAR	GB-6643005001	64.) 2-AXLE-WHEEL ASSY(DC)	DC-6603005001
14.) SP HANDRAIL AT SIDE REAR	GA-6643005003	65.) PICK UP FOR 2 AXLE TRUCK	BD-6603005004
15.) SP LADDER 1L	GA-6623005001	66.) TRUCK FOR TWO AXLE ROD R	GB-6613005001
16.) SP LADDER 2L	GA-6623005002	67.) PRESS PLATE	GB-6603005059
17.) SP LADDER 1R	GA-6613005001	68.) TRUCK FOR TWO AXLE ROD L	GB-6623005001
17A.) SP LADDER 2R	GA-6613005002		
18.) COFFEE SHOP WINDOW R #10261	FA-6613005031		
18.) COFFEE SHOP WINDOW R #10258	FA-6613005032		
19.) COFFEE SHOP WINDOW L #10261	FA-6623005031		
19.) COFFEE SHOP WINDOW L #10258	FA-6623005032		
20.) PCB GROUP	AH-6603005001		
21.) CAPACITOP	AI-0003001		
22.) ROOF LIGHT BAR 2	CI-6603005002		
23.) HUMAN	FI-6603005020		
24.) SCREW (1.7MM X 4.5MM)	IA-0000203		
25.) COFFEE SHOP FLOOR #10261	GA-6603005033		
25.) COFFEE SHOP FLOOR #10258	GA-6603005034		
26.) PICK UP FOR PCB 2	BD-6603005006		
27.) WEIGHT	GB-6603005054		
28.) NUT FOR PICK UP PIN	GB-6603005061		
29.) PIN FOR PICK UP	BD-6603005001		
30.) SPRING PLATE FOR PICK UP PIN	BD-6603005008		
31.) SP PIN FOR JOIN	GA-6603005071		
32.) COFFEE SHOP CHASSIS	GB-6603005009		
33.) PICK UP FOR PCB 1	BD-6603005005		
34.) KADEE COUPLER GROUP	GB-6603005053		
35.) COUPLER COVER	GB-6603005060		
36.) SCREW (2.0MM X 6.0MM)F	IA-0000090		
37.) SCREW (1.2MM X 3.5MM)F	IA-0000202		
38.) PIPE WIRE 2	GA-6603005078		
39.) PIPE WIRE 1	GA-6603005077		
40.) SP LONG BOTTOM BEAM 3	GB-6603005018		
41.) SP SHORT BOTTOM BEAM 1	GB-6603005020		
42.) CHASSIS STRIP	GB-6603005052		
43.) MAIN RESERVION	GB-6603005051		
44.) SCREW (2.0MM X 4.0MM) W/WASHER	IA-0000204		
45.) TRUCH FOR TWO AXLE CYLINDER	GB-6603005001		
46.) SMALL VALVE	GB-6603005054		
47.) WATER TANK PART 1	GB-6603005034		
48.) A.P.W.S RESERVIOR 1	GB-6603005056		
49.) TRUCK SET FOR TWO AXLE	DA-6603005001		
50.) SUB COOLER	GA-6603005036		

EXPLODED VIEW: CHAIR(A) PARTS(DC)

HO SP Passenger Car Chair(A) Exploded View(DC)

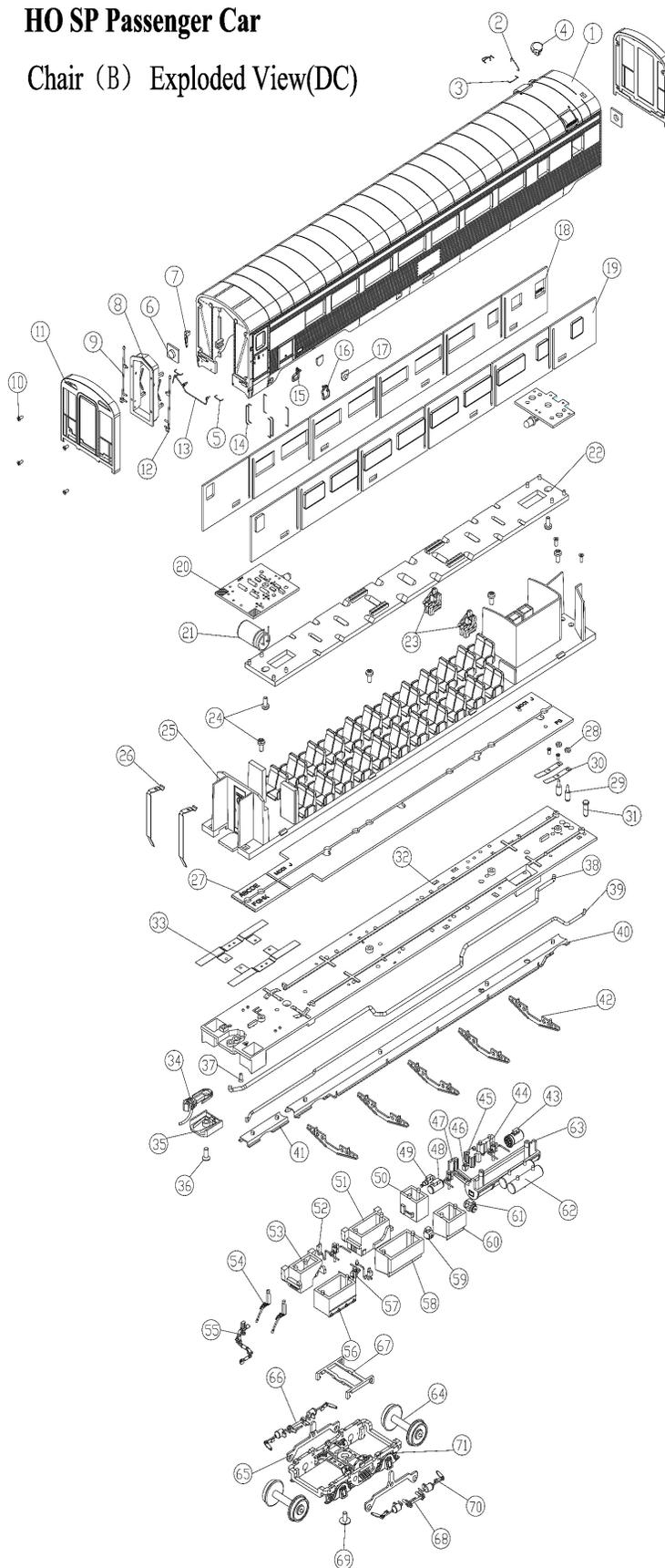


PARTS LIST: CHAIR(B) PARTS(DC)

1.) CHAIR(B) BODY #2474	FF-6603005021	51.) ICE ENGINE	GB-6603005030
1.) CHAIR(B) BODY #2476	FF-6603005022	52.) METER SYSTEM	GA-6603005040
1A.) SP WIDE RUBBER DOOR ASSY	FI-6603005003	53.) ENGINE GENERATOR 1	GB-6603005029
2.) HANDRAIL AT ROOF 1	GA-6603005074	53A.) AIR VENT PIPE 4	GA-6603005044
3.) HANDRAIL AT ROOF 2	GA-6603005075	54.) HEAT PIPE	GA-6603005086
4.) SP DETAIL AT ROOF 1	GA-6603005046	55.) AIR HOSE	GB-6603005049
5.) SP HANDRAIL AT REAR BOTTOM	GA-6643005002	56.) BATTERY BOX 1	GB-6603005033
6.) SP WINDOW AT END DOOR	FA-6643005001	57.) AIR VENT PIPE 2	GB-6603005048
7.) DETAIL AT REAR DOOR	GA-6643005001	58.) FUEL CABIN-4 CYLINDER	GB-6603005032
8.) DIAPHRAGM	FI-6603005001	59.) CONTROL VALVE 1	GB-6603005058
9.) DIAPHRAGM PIPE L	GA-6623005005	60.) FUEL CABIN-2 CYLINDER	GB-6603005031
10.) SCREW (1.0MM X 2.0MM)	IA-0000201	61.) MOTOR GENERATOR 1	GB-6603005055
11.) SP NARROW RUBBER DOOR ASSY	FI-6603005002	62.) SUPPLY RESERVOIR 2	GB-6603005043
12.) DIAPHRAGM PIPE R	GA-6613005005	63.) WATER TANK 1	GB-6603005027
13.) LIFT BAR AT REAR	GB-6643005001	64.) 2-AXLE-WHEEL ASSY(DC)	DC-6603005001
14.) SP HANDRAIL AT SIDE REAR	GA-6643005003	65.) PICK UP FOR 2 AXLE TRUCK	BD-6603005004
15.) SP LADDER 3L	GA-6623005004	66.) TRUCK FOR TWO AXLE ROD R	GB-6613005001
16.) SP LADDER 3R	GA-6613005004	67.) PRESS PLATE	GB-6603005059
17.) SIDE BOTTOM LIGHTS	CF-6603005001	68.) TRUCK FOR TWO AXLE ROD L	GB-6623005001
17A.) SP LADDER 2R	GA-6613005002	69.) SCREW (2.0MM X 4.0MM) W/WASHER	IA-0000204
18.) COFFEE SHOP WINDOW R #10261	FA-6613005031	70.) TRUCK FOR TWO AXLE CYLINDER	GB-6603005001
18.) COFFEE SHOP WINDOW R #10258	FA-6613005032	71.) TRUCK SET FOR TWO AXLE	DA-6603005001
19.) COFFEE SHOP WINDOW L #10261	FA-6623005031		
19.) COFFEE SHOP WINDOW L #10258	FA-6623005032		
20.) PCB GROUP	AH-6603005001		
21.) CAPACITOP	AI-0003001		
22.) ROOF LIGHT BAR 2	CI-6603005002		
23.) HUMAN	FI-6603005020		
24.) SCREW (1.7MM X 4.5MM)	IA-0000203		
25.) COFFEE SHOP FLOOR #10261	GA-6603005033		
25.) COFFEE SHOP FLOOR #10258	GA-6603005034		
26.) PICK UP FOR PCB 2	BD-6603005006		
27.) WEIGHT	GB-6603005054		
28.) NUT FOR PICK UP PIN	GB-6603005061		
29.) PIN FOR PICK UP	BD-6603005001		
30.) SPRING PLATE FOR PICK UP PIN	BD-6603005008		
31.) SP PIN FOR JOIN	GA-6603005071		
32.) COFFEE SHOP CHASSIS	GB-6603005009		
33.) PICK UP FOR PCB 1	BD-6603005005		
34.) KADEE COUPLER GROUP	GB-6603005053		
35.) COUPLER COVER	GB-6603005060		
36.) SCREW (2.0MM X 6.0MM)F	IA-0000090		
37.) SCREW (1.2MM X 3.5MM)F	IA-0000202		
38.) PIPE WIRE 2	GA-6603005078		
39.) PIPE WIRE 1	GA-6603005077		
40.) SP LONG BOTTOM BEAM 3	GB-6603005018		
41.) SP SHORT BOTTOM BEAM 1	GB-6603005020		
42.) CHASSIS STRIP	GB-6603005052		
43.) MAIN RESERVION	GB-6603005051		
44.) CONTROL VALVE	GB-6603005052		
45.) CONTROL VALVE 2	GB-6603005053		
46.) SMALL VALVE	GB-6603005054		
47.) WATER TANK PART 1	GB-6603005034		
48.) A.P.W.S RESERVIOR 1	GB-6603005056		
49.) RECEIVER TANK	GB-6603005057		
50.) SUB COOLER	GA-6603005036		

EXPLODED VIEW: CHAIR(B) PARTS(DC)

HO SP Passenger Car
Chair (B) Exploded View(DC)



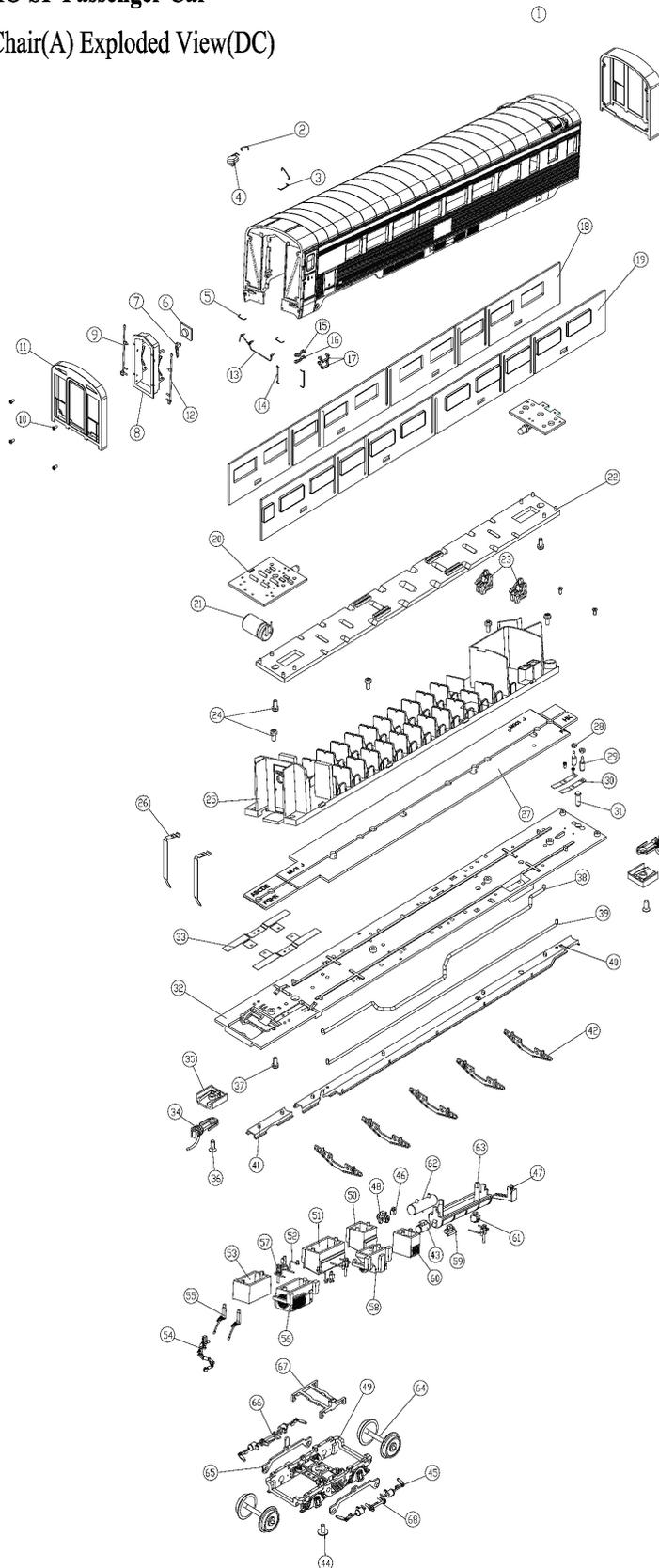
PARTS LIST: CHAIR(C) PARTS(DC)

1.) CHAIR(C) BODY #2473A	FF-6603005016	51.) ICE ENGINE	GB-6603005030
1.) CHAIR(C) BODY #2475	FF-6603005017	52.) METER SYSTEM	GA-6603005040
1A.) SP WIDE RUBBER DOOR ASSY	FI-6603005003	53.) ENGINE GENERATOR 1	GB-6603005029
2.) HANDRAIL AT ROOF 1	GA-6603005074	53A.) AIR VENT PIPE 4	GA-6603005044
3.) HANDRAIL AT ROOF 2	GA-6603005075	54.) HEAT PIPE	GA-6603005086
4.) SP DETAIL AT ROOF 1	GA-6603005046	55.) AIR HOSE	GB-6603005049
5.) SP HANDRAIL AT REAR BOTTOM	GA-6643005002	56.) BATTERY BOX 1	GB-6603005033
6.) SP WINDOW AT END DOOR	FA-6643005001	57.) AIR VENT PIPE 2	GB-6603005048
7.) DETAIL AT REAR DOOR	GA-6643005001	58.) FUEL CABIN-4 CYLINDER	GB-6603005032
8.) DIAPHRAGM	FI-6603005001	59.) TRUCK SET FOR TWO AXLE	DA-6603005001
9.) DIAPHRAGM PIPE L	GA-6623005005	60.) FUEL CABIN-2 CYLINDER	GB-6603005031
10.) SCREW (1.0MM X 2.0MM)	IA-0000201	61.) MOTOR GENERATOR 1	GB-6603005055
11.) SP NARROW RUBBER DOOR ASSY	FI-6603005002	62.) SUPPLY RESERVOIR 2	GB-6603005043
12.) DIAPHRAGM PIPE R	GA-6613005005	63.) WATER TANK 1	GB-6603005027
13.) LIFT BAR AT REAR	GB-6643005001	64.) 2-AXLE-WHEEL ASSY(DC)	DC-6603005001
14.) SP HANDRAIL AT SIDE REAR	GA-6643005003	65.) PICK UP FOR 2 AXLE TRUCK	BD-6603005004
15.) SP LADDER 3L	GA-6623005004	66.) TRUCK FOR TWO AXLE ROD R	GB-6613005001
16.) SP LADDER 3R	GA-6613005004	67.) PRESS PLATE	GB-6603005059
17.) SIDE BOTTOM LIGHTS	GA-6613005001	68.) TRUCK FOR TWO AXLE ROD L	GB-6623005001
17A.) SP LADDER 2R	GA-6613005002	69.) SCREW (2.0MM X 4.0MM) W/WASHER	IA-0000204
18.) COFFEE SHOP WINDOW R #10261	FA-6613005031	70.) TRUCK FOR TWO AXLE CYLINDER	GB-6603005001
18.) COFFEE SHOP WINDOW R #10258	FA-6613005032	71.) ANTENNA WIRE AT ROOF	GA-6603005081
19.) COFFEE SHOP WINDOW L #10261	FA-6623005031	72.) ANTENNA HOLDERS AT ROOF	GA-6603005039
19.) COFFEE SHOP WINDOW L #10258	FA-6623005032		
20.) PCB GROUP	AH-6603005001		
21.) CAPACITOP	AI-0003001		
22.) ROOF LIGHT BAR 2	CI-6603005002		
23.) HUMAN	FI-6603005020		
24.) SCREW (1.7MM X 4.5MM)	IA-0000203		
25.) COFFEE SHOP FLOOR #10261	GA-6603005033		
25.) COFFEE SHOP FLOOR #10258	GA-6603005034		
26.) PICK UP FOR PCB 2	BD-6603005006		
27.) WEIGHT	GB-6603005054		
28.) NUT FOR PICK UP PIN	GB-6603005061		
29.) PIN FOR PICK UP	BD-6603005001		
30.) SPRING PLATE FOR PICK UP PIN	BD-6603005008		
31.) SP PIN FOR JOIN	GA-6603005071		
32.) COFFEE SHOP CHASSIS	GB-6603005009		
33.) PICK UP FOR PCB 1	BD-6603005005		
34.) KADEE COUPLER GROUP	GB-6603005053		
35.) COUPLER COVER	GB-6603005060		
36.) SCREW (2.0MM X 6.0MM)F	IA-0000090		
37.) SCREW (1.2MM X 3.5MM)F	IA-0000202		
38.) PIPE WIRE 2	GA-6603005078		
39.) PIPE WIRE 1	GA-6603005077		
40.) SP LONG BOTTOM BEAM 3	GB-6603005018		
41.) SP SHORT BOTTOM BEAM 1	GB-6603005020		
42.) CHASSIS STRIP	GB-6603005052		
43.) MAIN RESERVION	GB-6603005051		
44.) CONTROL VALVE	GB-6603005052		
45.) CONTROL VALVE 2	GB-6603005053		
46.) SMALL VALVE	GB-6603005054		
47.) WATER TANK PART 1	GB-6603005034		
48.) A.P.W.S RESERVIOR 1	GB-6603005056		
49.) RECEIVER TANK	GB-6603005057		
50.) SUB COOLER	GA-6603005036		

EXPLODED VIEW: CHAIR(C) PARTS(DC)

HO SP Passenger Car

Chair(A) Exploded View(DC)

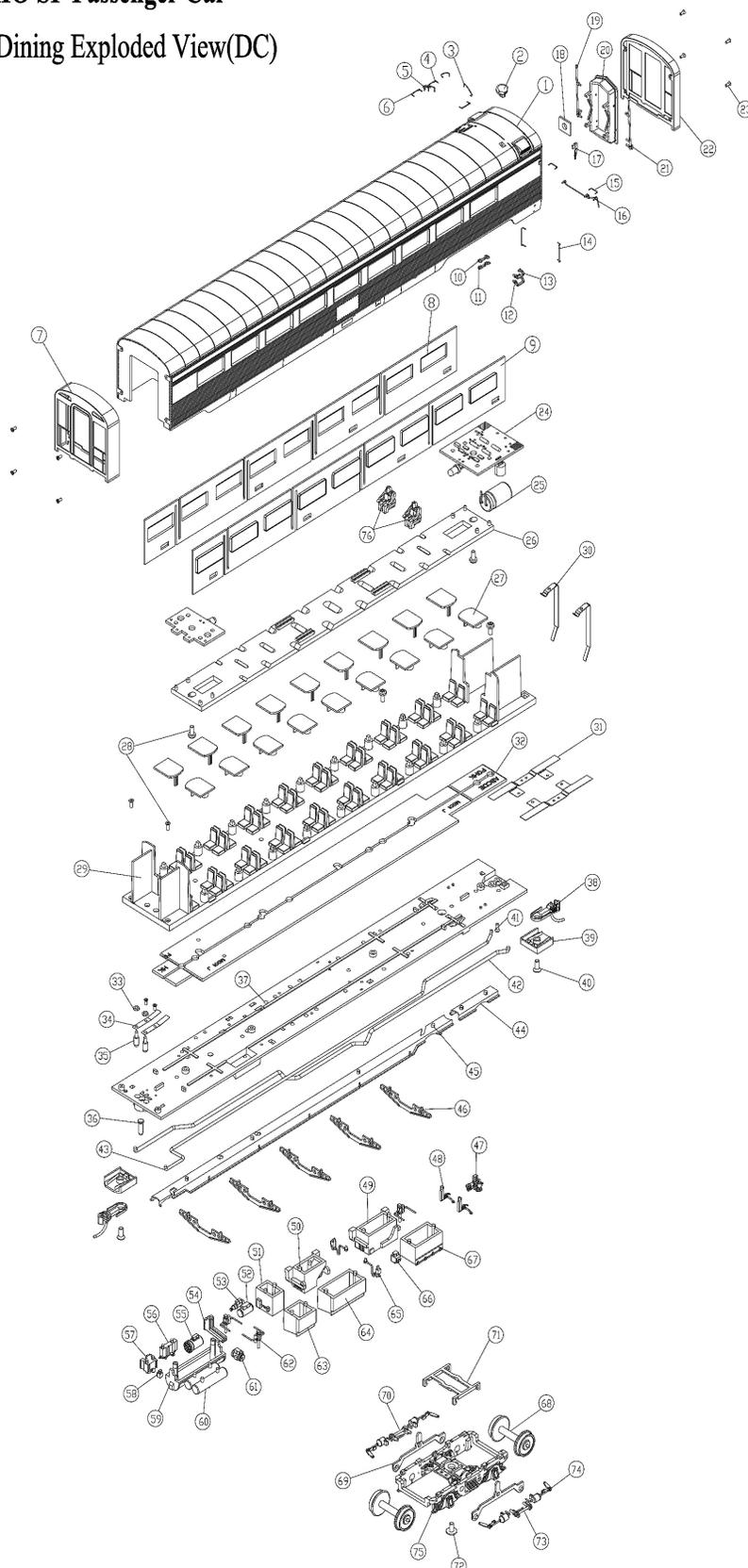


PARTS LIST: DINING PARTS(DC)

1.) DINING BODY #10259	FF-6603005019	53.) RECEIVER TANK	GB-6603005057
1.) DINING BODY #10256	FF-6603005020	54.) WATER TANK PART 1	GB-6603005034
2.) HANDRAIL AT ROOF 1	GA-6603005074	55.) MAIN RESERVION	GB-6603005051
3.) SP DETAIL AT ROOF 1	GA-6603005046	56.) CONTROL VALVE	GB-6603005052
4.) HANDRAIL AT ROOF 3	GA-6603005066	57.) CONTROL VALVE 2	GB-6603005053
5.) HANDRAIL AT ROOF 2	GA-6603005075	58.) SMALL VALVE	GB-6603005054
6.) SP HANDRAIL AT ICE HATCH 2	GA-6603005066	59.) WATER TANK 3	GB-6603005036
7.) SP WIDE RUBBER DOOR ASSY	FI-6603005003	60.) SUPPLY RESERVOIR 2	GB-6603005043
8.) DINING WINDOW R #10259	FA-6613005029	61.) MOTOR GENERATOR 1	GB-6603005055
8.) DINING WINDOW R #10256	FA-6613005030	62.) AIR VENT PIPE 2	GB-6603005048
9.) DINING WINDOW L #10259	FA-6623005008	63.) FUEL CABIN-2 CYLINDER	GB-6603005031
9.) DINING WINDOW L #10256	FA-6623005030	64.) FUEL CABIN-4 CYLINDER	GB-6603005032
10.) SP LADDER 2R	GA-6613005002	65.) METER SYSTEM	GA-6603005040
11.) SP LADDER 1R	GA-6613005001	66.) CONTROL VALVE 1	GB-6603005058
12.) SP LADDER 1L	GA-6623005001	67.) BATTERY BOX 1	GB-6603005033
13.) SP LADDER 2L	GA-6623005002	68.) 2-AXLE-WHEEL ASSY(DC)	DC-6603005001
14.) SP HANDRAIL AT SIDE REAR	GA-6643005003	69.) PICK UP FOR 2 AXLE TRUCK	BD-6603005004
15.) SP HANDRAIL AT REAR BOTTOM	GA-6643005002	70.) TRUCK FOR TWO AXLE ROD R	GB-6613005001
16.) LIFT BAR AT REAR	GB-6643005001	71.) PRESS PLATE	GB-6603005059
17.) SP WINDOW AT END DOOR	FA-6643005001	72.) TRUCK FOR TWO AXLE ROD L	GB-6623005001
18.) DETAIL AT REAR DOOR	GA-6643005001	73.) SCREW (2.0MM X 4.0MM) W/WASHER	IA-0000204
19.) DIAPHRAGM PIPE R	GA-6613005005	74.) TRUCK FOR TWO AXLE CYLINDER	GB-6603005001
20.) DIAPHRAGM	FI-6603005001	75.) TRUCK SET FOR TWO AXLE	DA-6603005001
21.) DIAPHRAGM PIPE L	GA-6623005005	76.) HUMAN	FI-6603005020
22.) SP NARROW RUBBER DOOR ASSY	FI-6603005002		
23.) SCREW (1.0MM X 2.0MM)	IA-0000201		
24.) PCB GROUP	AH-6603005001		
25.) CAPACITOP	AI-0003001		
26.) ROOF LIGHT BAR 2	CI-6603005002		
27.) TABLE 1	GA-6603005056		
28.) SCREW (1.7MM X 4.5MM)	IA-0000203		
29.) DINING FLOOR #10259	GA-6603005031		
29.) DINING FLOOR #10256	GA-6603005032		
30.) PICK UP FOR PCB 2	BD-6603005006		
31.) PICK UP FOR PCB 1	BD-6603005005		
32.) WEIGHT	GB-6603005054		
33.) NUT FOR PICK UP PIN	GB-6603005061		
34.) PIN FOR PICK UP	BD-6603005001		
35.) SPRING PLATE FOR PICK UP PIN	BD-6603005008		
36.) SP PIN FOR JOIN	GA-6603005071		
37.) DINING CHASSIS	GB-6603005008		
38.) KADEE COUPLER GROUP	GB-6603005053		
39.) COUPLER COVER	GB-6603005060		
40.) SCREW (2.0MM X 6.0MM)F	IA-0000090		
41.) SCREW (1.2MM X 3.5MM)F	IA-0000202		
42.) PIPE WIRE 2	GA-6603005063		
43.) PIPE WIRE 1	GA-6603005062		
44.) SP SHORT BOTTOM BEAM 1	GB-6603005020		
45.) SP LONG BOTTOM BEAM 9	GB-6603005026		
46.) CHASSIS STRIP	GB-6603005052		
47.) HEAT PIPE	GA-6603005086		
48.) AIR HOSE	GB-6603005049		
49.) ICE ENGINE	GB-6603005030		
50.) ENGINE GENERATOR 1	GB-6603005029		
51.) SUB COOLER	GA-6603005036		
52.) A.P.W.S RESERVIOR 1	GB-6603005056		

EXPLODED VIEW: DINING PARTS(DC)

HO SP Passenger Car Dining Exploded View(DC)

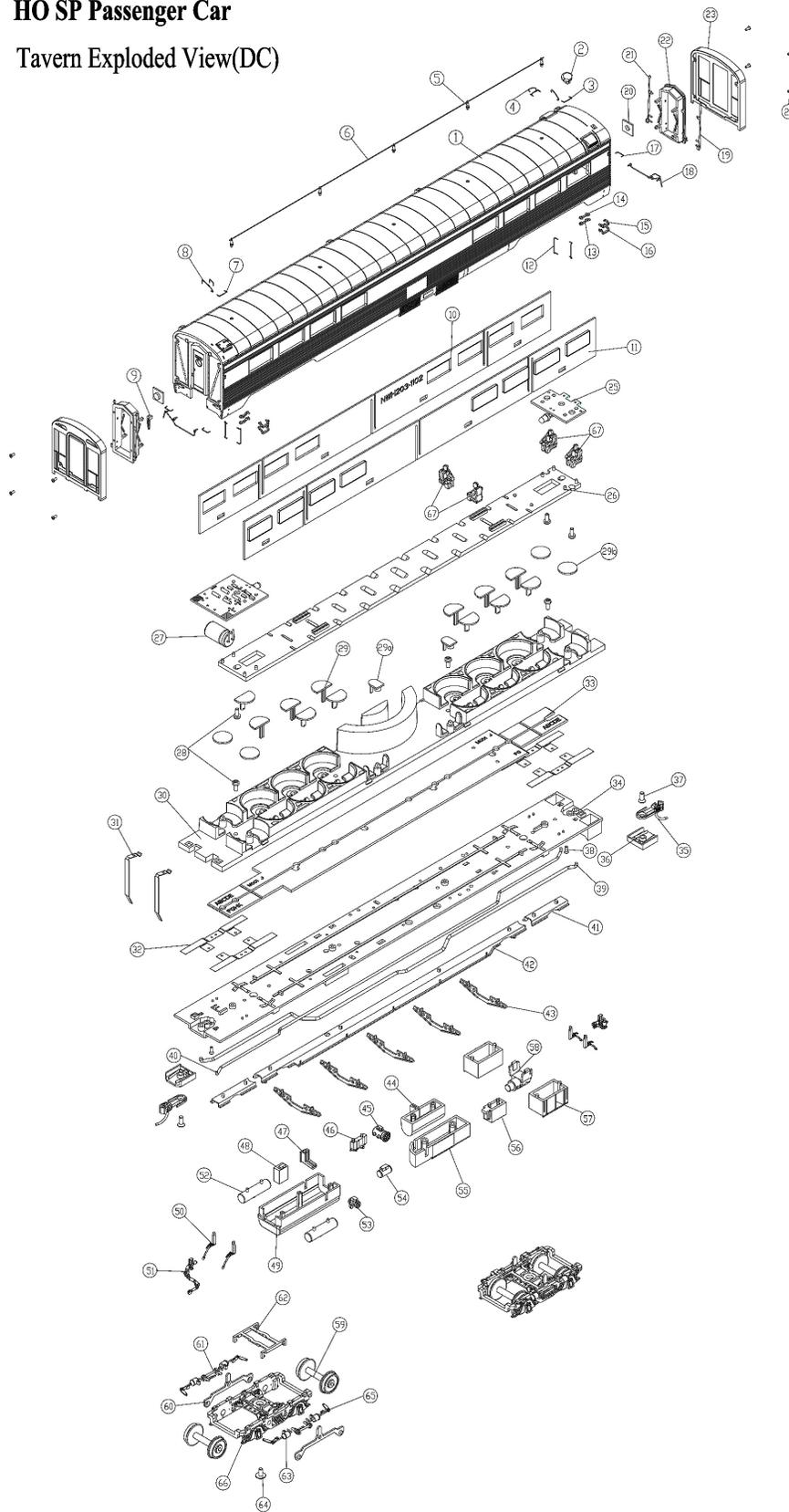


PARTS LIST: TAVERN PARTS(DC)

1.) TAVERN BODY #10315	FF-6603005031	51.) HEAT PIPE	GA-6603005086
1.) TAVERN BODY #10314	FF-6603005032	52.) SUPPLY RESERVOIR 1	GB-6603005028
2.) SP DETAIL AT ROOF 1	GA-6603005046	53.) MOTOR GENERATOR 1	GB-6603005055
3.) HANDRAIL AT ROOF 2	GA-6603005075	54.) A.P.W.S RESERVIOR 1	GB-6603005056
4.) HANDRAIL AT ROOF 1	GA-6603005074	55.) REFRIGERATION UNIT	GB-6603005041
5.) ANTENNA HOLDERS AT ROOF	GA-6603005039	56.) EJECTOR CONTROL BOX	GB-6603005042
6.) ANTENNA WIRE AT ROOF	GA-6603005072	57.) BATTERY BOX 1	GB-6603005033
7.) HANDRAIL AT ROOF 3	GA-6603005066	58.) GENERATOR 2	GB-6603005037
8.) SP HANDRAIL AT ICE HATCH 2	GA-6603005066	59.) 2-AXLE-WHEEL ASSY(DC)	DC-6603005001
9.) DETAIL AT REAR DOOR	GA-6643005001	60.) PICK UP FOR 2 AXLE TRUCK	BD-6603005004
10.) TAVERN WINDOW R #10315	FA-6613005007	61.) TRUCK FOR TWO AXLE ROD R	GB-6613005001
10.) TAVERN WINDOW R #10314	FA-6613005008	62.) PRESS PLATE	GB-6603005059
11.) TAVERN WINDOW L #10315	FA-6623005007	63.) TRUCK FOR TWO AXLE ROD L	GB-6623005001
11.) TAVERN WINDOW L #10314	FA-6623005029	64.) SCREW (2.0MM X 4.0MM) W/WASHER	IA-0000204
12.) SP HANDRAIL AT SIDE REAR	GA-6643005003	65.) TRUCK FOR TWO AXLE CYLINDER	GB-6603005001
13.) SP LADDER 2L	GA-6623005002	66.) TRUCK SET FOR TWO AXLE	DA-6603005001
14.) SP LADDER 1L	GA-6623005001	67.) HUMAN	FI-6603005020
15.) SP LADDER 2R	GA-6613005002		
16.) SP LADDER 1R	GA-6613005001		
17.) SP HANDRAIL AT REAR BOTTOM	GA-6643005002		
18.) LIFT BAR AT REAR	GB-6643005001		
19.) DIAPHRAGM PIPE L	GA-6623005005		
20.) SP WINDOW AT END DOOR	FA-6643005001		
21.) DIAPHRAGM PIPE R	GA-6613005005		
22.) DIAPHRAGM	FI-6603005001		
23.) SP NARROW RUBBER DOOR ASSY	FI-6603005002		
24.) SCREW	IA-0000201		
25.) PCB GROUP	AH-6603005001		
26.) ROOF LIGHT BAR 1	CI-6603005001		
27.) CAPACITOP	AI-0003001		
28.) SCREW (1.7MM X 4.5MM)	IA-0000203		
29.) TABLE 2	GA-6603005057		
29A.) TABLE 4	GA-6603005059		
29B.) TABLE 3	GA-6603005058		
30.) TAVERN FLOOR #10315	GA-6603005007		
30.) TAVERN FLOOR #10314	GA-6603005008		
31.) PICK UP FOR PCB 2	BD-6603005006		
32.) PICK UP FOR PCB 1	BD-6603005005		
33.) WEIGHT	GB-6603005054		
34.) TAVERN CHASSIS	GB-6603005005		
35.) KADEE COUPLER GROUP	GB-6603005053		
36.) COUPLER COVER	GB-6603005060		
37.) SCREW (2.0MM X 6.0MM)F	IA-0000090		
38.) SCREW (1.2MM X 3.5MM)F	IA-0000202		
39.) PIPE WIRE 2	GA-6603005070		
40.) PIPE WIRE 1	GA-6603005069		
41.) SP SHORT BOTTOM BEAM 1	GB-6603005020		
42.) SP LONG BOTTOM BEAM 8	GB-6603005025		
43.) CHASSIS STRIP	GB-6603005052		
44.) MAKE-UP WATER TANK	GB-6603005040		
45.) MAIN RESERVIOR	GB-6603005051		
46.) CONTROL VALVE	GB-6603005052		
47.) WATER TANK PART 2	GB-6603005045		
48.) RADIO CONVERTER BOX	GB-6603005039		
49.) WATER TANK 4	GB-6603005044		
50.) AIR HOSE	GB-6603005049		

EXPLODED VIEW: TAVERN PARTS(DC)

HO SP Passenger Car Tavern Exploded View(DC)

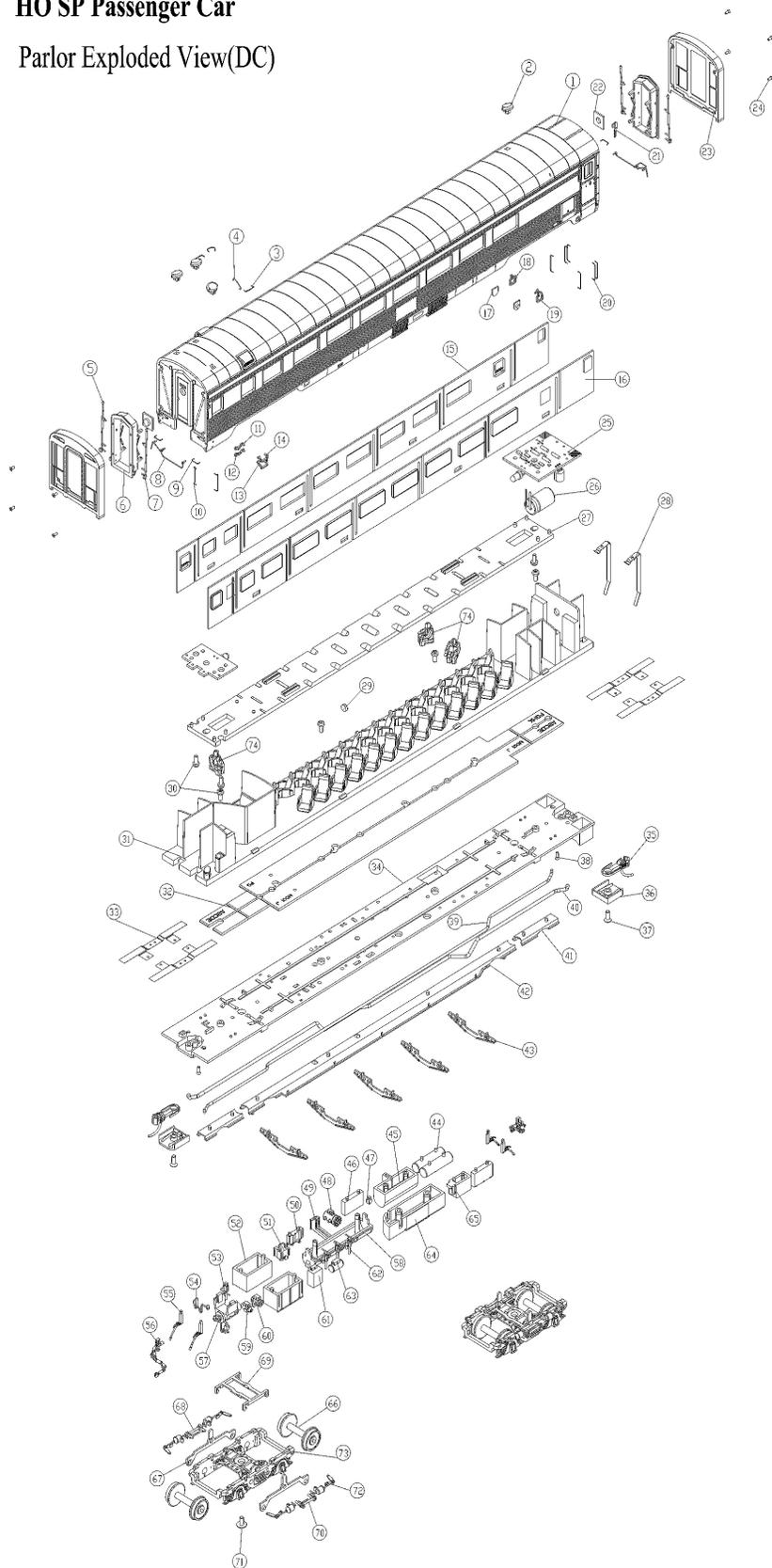


PARTS LIST: PARLOR PARTS(DC)

1.) PARLOR BODY #3003	FF-6603005029	52.) BATTERY BOX 1	GB-6603005033
1.) PARLOR BODY #3002	FF-6603005030	53.) AIR VENT PIPE 3	GA-6603005043
2.) SP DETAIL AT ROOF 1	GA-6603005046	54.) METER SYSTEM	GA-6603005040
3.) HANDRAIL AT ROOF 2	GA-6603005075	55.) AIR HOSE	GB-6603005049
4.) HANDRAIL AT ROOF 1	GA-6603005074	56.) HEAT PIPE	GA-6603005086
5.) DIAPHRAGM PIPE L	GA-6623005005	57.) GENERATOR 2	GB-6603005037
6.) DIAPHRAGM	FI-6603005001	58.) WATER TANK 1	GB-6603005027
7.) DIAPHRAGM PIPE R	GA-6613005005	59.) MOTOR GENERATOR 2	GB-6603005038
8.) LIFT BAR AT REAR	GB-6643005001	60.) MOTOR GENERATOR 1	GB-6603005055
9.) SP HANDRAIL AT REAR BOTTOM	GA-6643005002	61.) RADIO CONVERTER BOX	GB-6603005039
10.) SP HANDRAIL AT SIDE REAR	GA-6643005003	62.) AIR VENT PIPE 2	GB-6603005048
11.) SP LADDER 1L	GA-6623005001	63.) A.P.W.S RESERVIOR 1	GB-6603005056
12.) SP LADDER 2L	GA-6623005002	64.) REFRIGERATION UNIT	GB-6603005041
13.) SP LADDER 1R	GA-6613005001	65.) EJECTOR CONTROL BOX	GB-6603005042
14.) SP LADDER 2R	GA-6613005002	66.) 2-AXLE-WHEEL ASSY(DC)	DC-6603005001
15.) PARLOR WINDOW R #3003	FA-6613005005	67.) PICK UP FOR 2 AXLE TRUCK	BD-6603005004
15.) PARLOR WINDOW R #3002	FA-6613005006	68.) TRUCK FOR TWO AXLE ROD R	GB-6613005001
16.) PARLOR WINDOW L #3003	FA-6623005005	69.) PRESS PLATE	GB-6603005059
16.) PARLOR WINDOW L #3002	FA-6623005006	70.) TRUCK FOR TWO AXLE ROD L	GB-6623005001
17.) SIDE BOTTOM LIGHTS	CF-6603005001	71.) SCREW (2.0MM X 4.0MM) W/WASHER	IA-0000204
18.) SP LADDER 3L	GA-6623005004	72.) TRUCK FOR TWO AXLE CYLINDER	GB-6603005001
19.) SP LADDER 3R	GA-6613005004	73.) TRUCK SET FOR TWO AXLE	DA-6603005001
20.) HANDRAIL AT FRONT #3003	GA-6633005028	74.) HUMAN	FI-6603005020
20.) HANDRAIL AT FRONT #3002	GA-6633005029		
21.) DETAIL AT REAR DOOR	GA-6643005001		
22.) SP WINDOW AT END DOOR	FA-6643005001		
23.) SP NARROW RUBBER DOOR ASSY	FI-6603005002		
24.) SCREW (1.0MM X 2.0MM)	IA-0000201		
25.) PCB GROUP	AH-6603005001		
26.) CAPACITOP	AI-0003001		
27.) ROOF LIGHT BAR 1	CI-6603005001		
28.) PICK UP FOR PCB 2	BD-6603005006		
29.) MIRROR	GA-6603005068		
30.) SCREW (1.7MM X 4.5MM)	IA-0000203		
31.) PARLOR FLOOR #3003	GA-6603005005		
31.) PARLOR FLOOR #3002	GA-6603005006		
32.) WEIGHT	GB-6603005054		
33.) PICK UP FOR PCB 1	BD-6603005005		
34.) PARLOR CHASSIS	GB-6603005004		
35.) KADEE COUPLER GROUP	GB-6603005053		
36.) COUPLER COVER	GB-6603005060		
37.) SCREW (2.0MM X 6.0MM)F	IA-0000090		
38.) SCREW (1.2MM X 3.5MM)F	IA-0000202		
39.) PIPE WIRE 1	GA-6603005067		
40.) PIPE WIRE 2	GA-6603005068		
41.) SP SHORT BOTTOM BEAM 1	GB-6603005020		
42.) SP LONG BOTTOM BEAM 5	GB-6603005022		
43.) CHASSIS STRIP	GB-6603005052		
44.) SUPPLY RESERVOIR 1	GB-6603005028		
45.) MAKE-UP WATER TANK	GB-6603005040		
46.) ELEVATOR CONTROL BOX	GA-6603005037		
47.) SMALL VALVE	GB-6603005054		
48.) MAIN RESERVIOR	GB-6603005051		
49.) WATER TANK PART 1	GB-6603005034		
50.) CONTROL VALVE	GB-6603005052		
51.) CONTROL VALVE 2	GB-6603005053		

EXPLODED VIEW: PARLOR PARTS(DC)

HO SP Passenger Car Parlor Explored View(DC)

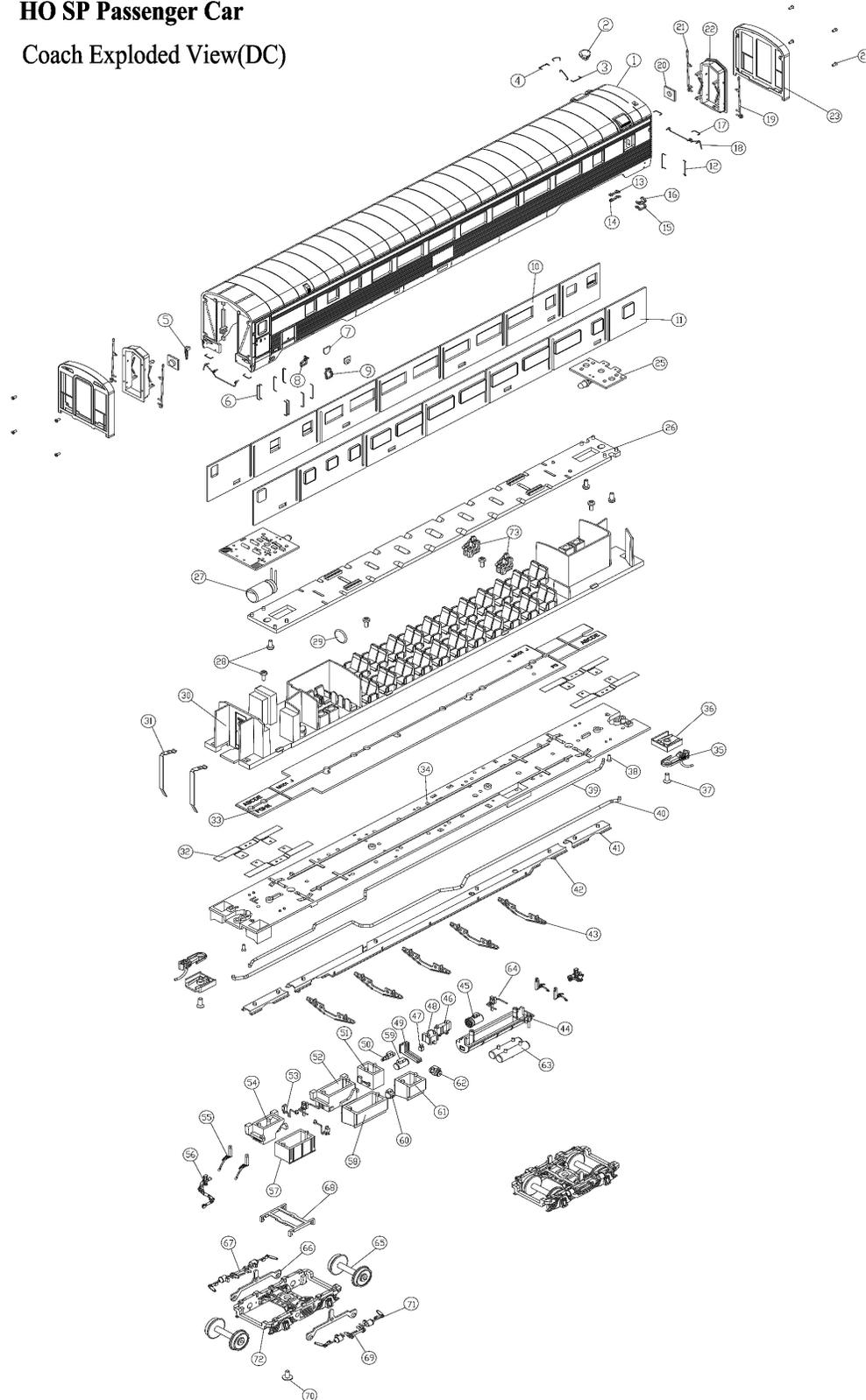


PARTS LIST: COACH PARTS(DC)

1.) CHAIR BODY #SP2439	FF-6603005023	42.) SP LONG BOTTOM BEAM 6	GB-6603005023
1.) CHAIR BODY #SP2485	FF-6603005024	43.) CHASSIS STRIP	GB-6603005052
1.) CHAIR BODY #SP2440	FF-6603005025	44.) WATER TANK 1	GB-6603005027
1.) CHAIR BODY #SP2486	FF-6603005026	45.) MAIN RESERVION	GB-6603005051
2.) SP DETAIL AT ROOF 1	GA-6603005046	46.) CONTROL VALVE	GB-6603005052
3.) HANDRAIL AT ROOF 2	GA-6603005075	47.) SMALL VALVE	GB-6603005054
4.) HANDRAIL AT ROOF 1	GA-6603005074	48.) CONTROL VALVE 2	GB-6603005053
5.) DETAIL AT REAR DOOR	GA-6643005001	49.) WATER TANK PART 1	GB-6603005034
6.) HANDRAIL AT FRONT #SP2439	GA-6633005006	50.) RECEIVER TANK	GB-6603005057
6.) HANDRAIL AT FRONT #SP2485	GA-6633005007	51.) SUB COOLER	GA-6603005036
6.) HANDRAIL AT FRONT #SP2440	GA-6633005008	52.) ICE ENGINE	GB-6603005030
6.) HANDRAIL AT FRONT #SP2486	GA-6633005009	53.) METER SYSTEM	GA-6603005040
7.) SIDE BOTTOM LIGHTS	CF-6603005001	54.) ENGINE GENERATOR 1	GB-6603005029
8.) SP LADDER 3R	GA-6613005004	55.) AIR HOSE	GB-6603005049
9.) SP LADDER 3L	GA-6623005004	56.) HEAT PIPE	GA-6603005086
10.) CHAIR WINDOW R #SP2439	FA-6613005009	57.) BATTERY BOX 1	GB-6603005033
10.) CHAIR WINDOW R #SP2485	FA-6613005010	58.) FUEL CABIN-4 CYLINDER	GB-6603005032
10.) CHAIR WINDOW R #SP2440	FA-6613005011	59.) A.P.W.S RESERVIOR 1	GB-6603005056
10.) CHAIR WINDOW R #SP2486	FA-6613005012	60.) CONTROL VALVE 1	GB-6603005058
11.) CHAIR WINDOW L #SP2439	FA-6623005005	61.) FUEL CABIN-2 CYLINDER	GB-6603005031
11.) CHAIR WINDOW L #SP2485	FA-6623005009	62.) MOTOR GENERATOR 1	GB-6603005055
11.) CHAIR WINDOW L #SP2440	FA-6623005011	63.) SUPPLY RESERVOIR 2	GB-6603005043
11.) CHAIR WINDOW L #SP2486	FA-6623005033	64.) AIR VENT PIPE 2	GB-6603005048
12.) SP HANDRAIL AT SIDE REAR	GA-6643005003	65.) 2-AXLE-WHEEL ASSY(DC)	DC-6603005001
13.) SP LADDER 2L	GA-6623005002	66.) PICK UP FOR 2 AXLE TRUCK	BD-6603005004
14.) SP LADDER 1L	GA-6623005001	67.) TRUCK FOR TWO AXLE ROD R	GB-6613005001
15.) SP LADDER 2R	GA-6613005002	68.) PRESS PLATE	GB-6603005059
16.) SP LADDER 1R	GA-6613005001	69.) TRUCK FOR TWO AXLE ROD L	GB-6623005001
17.) SP HANDRAIL AT REAR BOTTOM	GA-6643005002	70.) SCREW (2.0MM X 4.0MM) W/WASHER	IA-0000204
18.) LIFT BAR AT REAR	GB-6643005001	71.) TRUCK FOR TWO AXLE CYLINDER	GB-6603005001
19.) DIAPHRAGM PIPE L	GA-6623005005	72.) TRUCK FOR TWO AXLE	DA-6603005001
20.) SP WINDOW AT END DOOR	FA-6643005001	73.) HUMAN	FI-6603005020
21.) DIAPHRAGM PIPE R	GA-6613005005		
22.) DIAPHRAGM	FI-6603005001		
23.) SP NARROW RUBBER DOOR ASSY	FI-6603005002		
24.) SCREW (1.0MM X 2.0MM)	IA-0000201		
25.) PCB GROUP	AH-6603005001		
26.) ROOF LIGHT BAR 1	CI-6603005001		
27.) CAPACITOP	AI-0003001		
28.) SCREW	IA-0000203		
29.) MIRROR	GA-6603005068		
30.) CHAIR FLOOR #SP2439	GA-6603005025		
30.) CHAIR FLOOR #SP2485	GA-6603005026		
30.) CHAIR FLOOR #SP2440	GA-6603005027		
30.) CHAIR FLOOR #SP2486	GA-6603005028		
31.) PICK UP FOR PCB 2	BD-6603005006		
32.) PICK UP FOR PCB 1	BD-6603005005		
33.) WEIGHT	GB-6603005054		
34.) CHAIR CHASSIS	GB-6603005006		
35.) KADEE COUPLER GROUP	GB-6603005053		
36.) COUPLER COVER	GB-6603005060		
37.) SCREW(2.0MM X 6.0MM)F	IA-0000090		
38.) SCREW (1.2MM X 3.5MM)F	IA-0000202		
39.) PIPE WIRE 1	GA-6603005060		
40.) PIPE WIRE 2	GA-6603005061		
41.) SP SHORT BOTTOM BEAM 1	GB-6603005020		

EXPLODED VIEW: COACH PARTS(DC)

HO SP Passenger Car
Coach Exploded View(DC)



PARTS LIST: OBSERVATION PARTS(DC)

1.) PARLOR OBSERVATION BODY #2951	FF-6603005001	51.) PICK UP FOR PCB 3(L;R)	BD-6603005007
1.) PARLOR OBSERVATION BODY #2954	FF-6603005002	52.) PARLOR OBSERVATION CHASSIS	GB-6603005001
2.) HANDRAIL AT FRONT BOTTOM	GA-6633005004	53.) KADEE COUPLER GROUP	GB-6603005053
3.) SP LADDER 3	GA-6603005048	54.) COUPLER COVER	GB-6603005060
4.) SP HANDRAIL AT SIDE BOTTOM	GA-6603005076	55.) SCREW (2.0MM X 6.0MM)F	IA-0000090
5.) MARKER LIGHT TOP	CH-6603005001	56.) PIPE WIRE 1	GA-6603005079
6.) MARKER LIGHT GLASS	FA-6603005001	57.) PIPE WIRE 2	GA-6603005080
7.) MARKER LIGHT BOTTOM	CH-6603005002	58.) SCREW (1.2MM X 3.5MM)F	IA-0000202
8.) ANTENNA WIRE AT ROOF	GA-6603005073	59.) SP SHORT BOTTOM BEAM 1	GB-6603005020
9.) ANTENNA HOLDERS AT ROOF	GA-6603005039	60.) SP LONG BOTTOM BEAM 1	GB-6603005016
10.) SP DETAIL AT ROOF 1	GA-6603005046	61.) SP SHORT BOTTOM BEAM 2	GB-6603005021
11.) HANDRAIL AT ROOF 1	GA-6603005074	62.) CHASSIS STRIP	GB-6603005052
12.) HANDRAIL AT ROOF 2	GA-6603005075	63.) ICE ENGINE	GB-6603005030
13.) SP HANDRAIL AT SIDE REAR	GA-6643005003	64.) METER SYSTEM	GA-6603005040
14.) SP HANDRAIL AT REAR BOTTOM	GA-6643005002	65.) ENGINE GENERATOR 1	GB-6603005029
15.) DETAIL AT REAR DOOR	GA-6643005001	66.) SUB COOLER	GA-6603005036
16.) LIFT BAR AT REAR	GB-6643005001	67.) RECEIVER TANK	GB-6603005057
17.) SP WINDOW AT END DOOR	FA-6643005001	68.) A.P.W.S RESERVIOR 1	GB-6603005056
18.) DIAPHRAGM PIPE L	GA-6623005005	69.) SUPPLY RESERVOIR 1	GB-6603005028
19.) DIAPHRAGM	FI-6603005001	70.) WATER TANK PART 1	GB-6603005034
20.) SP NARROW RUBBER DOOR ASSY	FI-6603005002	71.) WATER TANK 1	GB-6603005027
21.) SCREW (1.0MM X 2.0MM)	IA-0000201	72.) AIR HOSE	GB-6603005049
22.) DIAPHRAGM PIPE R	GA-6613005005	73.) HEAT PIPE	GA-6603005086
23.) SP LADDER 1L	GA-6623005001	74.) AIR VENT PIPE 5	GA-6603005045
24.) SP LADDER 2L	GA-6623005002	75.) MAIN RESERVION	GB-6603005051
25.) SP LADDER 1R	GA-6613005001	76.) CONTROL VALVE	GB-6603005052
26.) SP LADDER 2R	GA-6613005002	77.) CONTROL VALVE 2	GB-6603005053
27.) PARLOR OBSERVATION WINDOW L #2951	FA-6623005001	78.) SMALL VALVE	GB-6603005054
27.) PARLOR OBSERVATION WINDOW L #2954	FA-6623005002	79.) MOTOR GENERATOR 1	GB-6603005055
28.) PARLOR OBSERVATION WINDOW R #2951	FA-6613005001	80.) AIR VENT PIPE 2	GB-6603005048
28.) PARLOR OBSERVATION WINDOW R #2954	FA-6613005002	81.) FUEL CABIN-2 CYLINDER	GB-6603005031
29.) FRONT LIFT BAR	GB-6633005001	82.) FUEL CABIN-4 CYLINDER	GB-6603005032
30.) SQUARE DRUMHEAD	GA-6603005038	83.) CONTROL VALVE 1	GB-6603005058
31.) SQUARE DRUMHEAD GLASS	FA-6603005002	84.) BATTERY BOX 1	GB-6603005033
32.) HANDRAIL AT FRONT DOOR #2951	GA-6633005031	85.) AIR VENT PIPE 1	GB-6603005047
32.) HANDRAIL AT FRONT DOOR #2954	GA-6633005032	86.) HORN #2951	GA-6603005041
33.) HANDRAIL AT FRONT DOOR #2951	GA-6633005001	86.) HORN #2954	GA-6603005042
33.) HANDRAIL AT FRONT DOOR #2954	GA-6633005033	87.) FRONT LIFT BAR RING	GB-6633005002
34.) PARLOR OBSERVATION WINDOW F #2951	FA-6633005001	88.) 2-AXLE-WHEEL ASSY(DC)	DC-6603005001
34.) SP2955 PARLOR OBSERVATION WINDOW	FA-6633005002	89.) TRUCK SET FOR TWO AXLE	DA-6603005001
35.) HEAD LIGHT	CA-6603005001	90.) TRUCK FOR TWO AXLE CYLINDER	GB-6603005001
36.) BARDOOR	GA-6603005035	91.) TRUCK FOR TWO AXLE ROD R	GB-6613005001
37.) HEAD&MARKER LIGHTS PCB	CC-6603005001	92.) PICK UP FOR 2 AXLE TRUCK	BD-6603005004
38.) SCREW (2.0MM X 4.0MM) W/WASHER	IA-0000204	93.) PRESS PLATE	GB-6603005059
39.) SCREW (2.6 X 6.0MM)	IA-0000205	94.) TRUCK FOR TWO AXLE ROD L	GB-6623005001
40.) ROOF LIGHT BAR 4	CI-6603005004	95.) SCREW (2.0MM X 4.0MM) W/WASHER	IA-0000204
41.) PCB GROUP	AG-6603005001	96.) HUMAN	FI-6603005020
42.) CAPACITOP	AI-0003001		
43.) PICK UP FOR PCB 2	BD-6603005006		
44.) SCREW (1.7MM X 4.5MM)	IA-0000203		
45.) SP2955 PARLOR OBSERVATION FLOOR #29	GA-6603005001		
46.) SP PICK UP FOR DRUMHEAD LIGHT	BD-6603005003		
47.) SP PICK UP FOR DRUMHEAD LIGHT	BD-6603005002		
48.) DRUMHEAD PCB	CC-6603005002		
49.) WEIGHT	GB-6603005054		
50.) PICK UP FOR PCB 1	BD-6603005005		

EXPLODED VIEW: OBSERVATION PARTS(DC)

HO SP Passenger Car

Observation Exploded View(DC)

