



Crusader

30-1152-0

30-1152-1



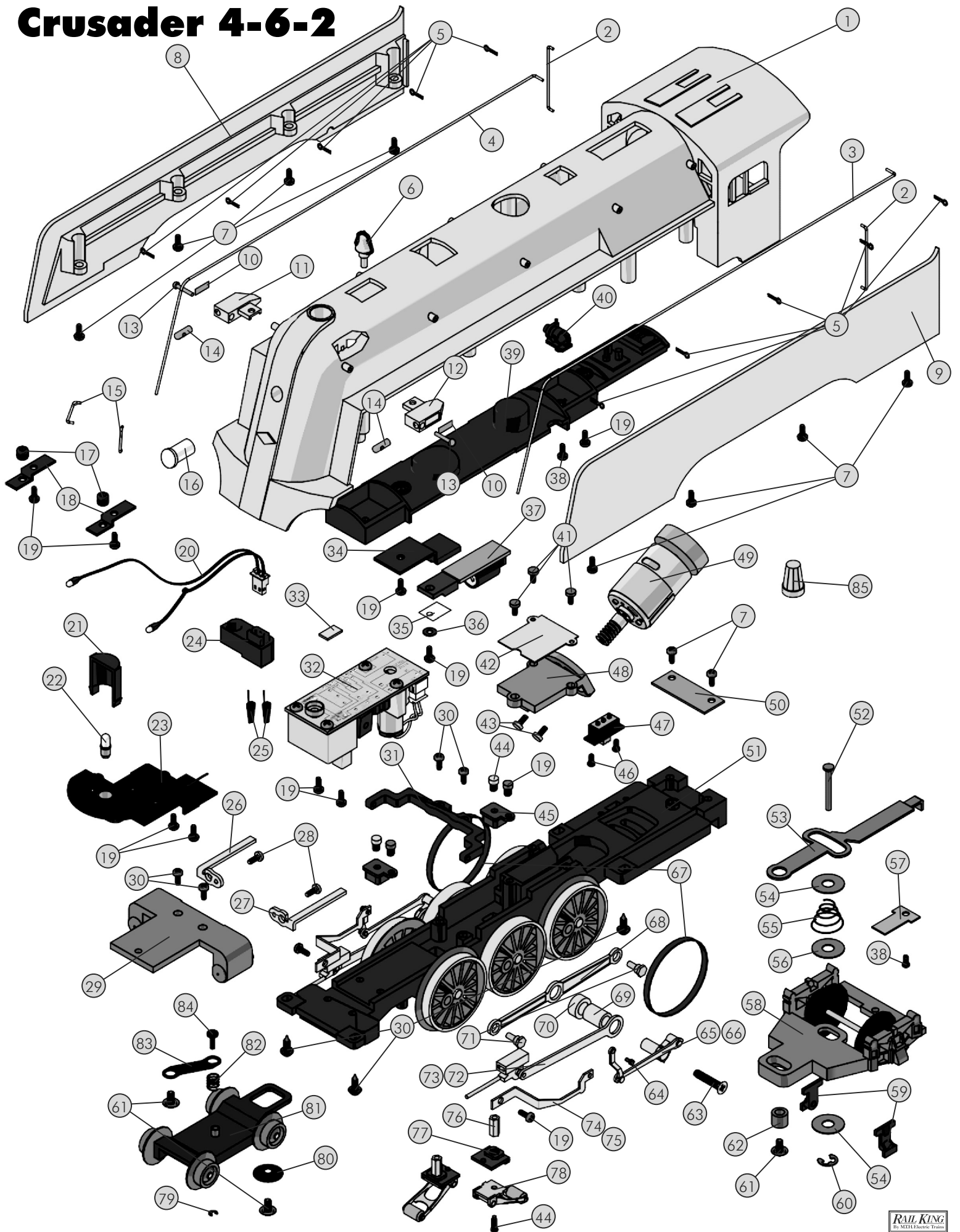
Crusader 4-6-2

Parts

Name and Number	Part #	\$Price Per Unit	Name and Number	Part #	\$Price Per Unit
1.) Shell (Crusader)(# 117)	FB-1200146	*120.00	44.) Screw (nickel)	IA-0000015	0.15
1.) Shell (Crusader)(# 118)	FB-1200167	*120.00	(M3X6.0mm)(roundhead)		
2.) Handrail (cab)	FB-1200147	1.00	45.) Insulator (pick-up)(top)	BD-0000047	2.00
3.) Handrail (boiler)(left)	FB-1200148	2.00	46.) Screw	IA-0000058	0.15
4.) Handrail (boiler)(right)	FB-1200149	2.00	(M2X4.0mm)(roundhead)		
5.) Stanchion	FB-1200024	0.25	47.) Switch (small)	BB-0000009	5.00
6.) Bell (new style)(nickel)	FB-1200101	6.00	48.) Motor mount	BI-0000034	15.00
7.) Screw	IA-0000027	0.15	49.) Motor (RS-385PH)	BE-0000040	25.00
(6/32X6.0mm)(roundhead)			(6.5X28.0mm long worm gear)(15.5mm long threads)		
8.) Side panel (Crusader)(right)	FB-1200150	*25.00	50.) PCB board	BB-0000019	8.00
9.) Side panel (Crusader)(left)	FB-1200151	*25.00	51.) Drive block (3 axle)(black)	DF-1200024	*75.00
10.) Number board	FG-1200003	1.00	52.) Pin	IG-0000002	0.50
(sticker)(# 117)			53.) Draw bar	FB-1200062	3.00
10.) Number board	FG-1200004	1.00	54.) Washer (5.0X12.0X0.6mm)	ID-0000053	0.15
(sticker)(# 118)			55.) Spring (7.5X13.0X11.0mm)	IE-0000013	0.50
11.) Number board housing (left)	FB-1200152	*10.00	56.) Washer (5.5X15.0X0.6mm)	ID-0000039	0.15
12.) Number board housing	FB-1200153	*10.00	57.) Ground strap	II-4500002	1.00
(right)			58.) Truck	DA-1240030	20.00
13.) Lens (marker)(green)(pin)	FA-0000023	1.00	(trailing)(single axle)(blue)		
14.) Lens (marker) (green)	FA-0000024	1.00	59.) Axle bearing (plastic)	DC-0000003	1.00
(pin w/ hole in center)			60.) E-clip (3.5X9.0X0.6mm)	IF-0000009	0.15
15.) Handrail (10.5mm long)	FB-1200154	1.00	61.) Screw	IA-0000214	0.15
16.) Lens (headlight)	FA-0000025	2.00	(6/32X6.0mm)(washer head)		
17.) Grommet	IH-0000010	0.15	62.) Spacer (6.5X10.0X9.0mm)	ID-0000015	1.00
18.) Bracket (marker light)	IH-0000113	1.00	63.) Screw	IA-0000052	0.15
19.) Screw	IA-0000003	0.15	(M3X16.0mm)(flathead)(nickel)		
(4/40X6.0mm)(roundhead)			64.) Screw (M2X5.0mm)	IA-0000119	0.15
20.) Bulbs (6V)(grain of wheat)	CA-0000020	3.00	(roundhead)(2.5mm undersized shank)		
(195.0mm long wires)			65.) Eccentric assembly (left)	ED-1220021	5.00
21.) Light reflector (black)	CI-0000024	3.00	66.) Eccentric assembly (right)	ED-1210021	5.00
22.) Bulb (18V)(small globe)	CA-0230001	1.00	67.) Traction tire	DE-0000027	0.75
(screw base)			68.) Side rod	EC-1250003	2.00
23.) Bracket	IH-0000114	3.00	69.) Sleeve (inner)	ID-0000058	1.00
(headlight/smoke unit)			70.) Sleeve (outer)	ID-0000059	1.00
24.) Contact spring base	BH-0000001	1.00	71.) Bolt (side rod)(nickel)	IA-0000054	1.00
25.) Contact spring	IE-0000015	0.50	72.) Drive rod (left)	EC-1220010	5.00
26.) Drive rod guide (right)	EA-1210006	3.00	73.) Drive rod (right)	EC-1210010	5.00
27.) Drive rod guide (left)	EA-1220006	3.00	74.) Eccentric rod (left)	ED-1220022	2.00
28.) Screw	IA-0000051	0.15	75.) Eccentric rod (right)	ED-1210022	2.00
(6/32X6.0mm)(roundhead)(nickel)			76.) Nut	IC-0000005	0.50
29.) Steam chest (blue)	EF-1230013	15.00	77.) Insulator (pick-up)(bottom)	BD-0000001	2.00
30.) Screw	IA-0000050	0.15	78.) Pick-up	BD-0000048	5.00
(6/32X8.0mm)(roundhead)			79.) E-clip (2.5X6.0X0.5mm)	IF-0000004	0.15
31.) Motion hanger (black)	EA-1200011	4.00	80.) Spacer	ID-0000014	1.00
32.) Smoke unit	AA-0000014	50.00	81.) Truck	DA-1230021	20.00
33.) Wire strap (metal)	IH-0000103	1.00	(lead)(2 axle)(blue)		
34.) Bracket (CV board)	IH-0000115	3.00	82.) Spring (6.5X9.0mm)	IE-0000009	0.50
35.) Insulator (clear)	ID-0000073	0.15	83.) Bracket	IH-1230001	1.00
36.) Insulator (washer)	ID-0000033	0.15	(lead truck mounting bracket)		
37.) CV board (6V)(single plug)	AG-0000025	15.00	84.) Pin	IG-0000003	0.50
38.) Screw	IA-0000021	0.15	85.) Wire nut (yellow)	BI-4500003	0.25
(4/40X4.0mm)(roundhead)					
39.) Lower boiler plate (black)	FB-1200155	*20.00			
40.) Steam generator (black)	FB-1200156	6.00			
41.) Screw	IA-0000040	0.15			
(6/32X10.0mm)(roundhead)					
42.) Contact spring board	BH-0000019	2.00			
43.) Screw (yellow zink)	IA-0000089	0.15			
(M2.5X6.0mm)(roundhead w/ lock-washer)					

* Requires Exchange

Crusader 4-6-2



Crusader Tender

Parts

Name and Number	Part #	\$Price Per Unit
1.) Lens (back-up light)	FA-0000026	2.00
2.) Shell (Reading)	GA-1200055	*85.00
3.) Handrail	GA-1200056	1.00
4.) Clip (bottom)	IF-0000007	1.00
5.) Clip (top)	IF-0000006	1.00
6.) Bracket (battery) (horizontal side mount)	IH-0000116	3.00
7.) Screw (M3X4.0mm)(roundhead)	IA-0000010	0.15
8.) Battery	BG-4000001	9.95
9.) Battery leads	BC-0000038	3.00
10.) Screw (4/40X6.0mm)(roundhead)	IA-0000003	0.15
11.) Insulator (washer)	ID-0000033	0.15
12.) Insulator	ID-0000024	0.15
13.) Bracket (Proto-sound boards)	IH-0000117	3.00
14.) Screw (4/40X18.0mm)(roundhead)	IA-0000094	0.15
15.) Volume pot (BK10 SW) (120.0mm long wires)	BI-0000042	5.00
16.) Bracket (volume pot)	IH-0000023	2.00
17.) Washer (7.0X12.0X0.5mm)	ID-0000034	0.15
18.) Nut (6.0X10.0X2.0mm)	IC-0000007	0.50
19.) Screw (M3X8.0mm)(roundhead)	IA-0000035	0.15
20.) Bracket (speaker)	IH-0000044	1.00
21.) Speaker (STAR PR-05004-08)	BF-4500008	8.95
22.) Proto-sound board (top)	AE-4500001	*100.00
23.) Proto-sound chip	N/A	19.95
24.) Proto-sound board (bottom)	AD-4500001	*60.00
25.) Screw (6/32X6.0mm)(washer head)	IA-0000039	0.15
26.) Chassis	GB-1200032	*15.00
27.) T-bar	IG-0000001	0.50
28.) Proto-coupler (51.5mm long)	DD-0000001	10.00
29.) Spring (6.5X14.0mm)(w/ 0.5mm thick wire)	IE-0000022	0.50
30.) Washer (4.5X10.0X0.6mm)	ID-0000041	0.15
31.) E-clip (3.0X8.0X0.5mm)	IF-0000002	0.15
32.) Axle bearing (plastic)	DC-0000004	1.00
33.) Truck (2 axle)(silver)	DA-1250010	30.00
34.) Screw (6/32X8.0mm)(roundhead)	IA-0000050	0.15
35.) Screw (4/40X4.0mm)(roundhead)	IA-0000021	0.15
36.) Ground strap (41.0mm long)	II-4500001	0.15
37.) Draw bar	GA-1200057	2.00
38.) Wire harness (tender) (235.0mm long)(w/ extra black wire)	BC-0000039	8.00

Whistle Only Parts

NS.) DCRU board (new design)	AC-0000006	39.95
NS.) Whistle board	AF-4500005	29.95
NS.) Bracket (aluminum) (DCRU mounting bracket)	IH-0000118	3.00

Parts

Name and Number	Part #	\$Price Per Unit
NS.) Screw (DCRU bracket) (M3X4.0mm)(roundhead)	IA-0000010	0.15
NS.) Screw (DCRU) (4/40X18.0mm)(roundhead)	IA-0000094	0.15
NS.) Bracket (plastic)	IH-0000119	2.00
NS.) Screw (bracket mounting) (M3X4.0mm)(roundhead)	IA-0000010	0.15
NS.) Wire harness (tender) (160.0mm long)(1 red & 1 black plug w/ extra wire)	BC-0000040	8.00
NS.) Switch (small)	BB-0000009	5.00
NS.) Screw (for switch) (M2X4.0mm)(roundhead)	IA-0000058	0.15
NS.) Coupler (51.0mm long)	DD-0000011	3.00
NS.) Armature (45.0mm long)	DD-0000012	1.00
NS.) Spring	IE-0000007	0.50
NS.) Washer (plastic cup)	ID-0000060	0.15

*Requires Exchange

Crusader Tender

