



# **2-8-0 STEAM ENGINE SET (PS2)**

**30-4136-1E**

**30-4137-1E**

**30-4185-1E**

**30-4181-1E**

**30-4200-1E**

**PARTS LIST & EXPLODED VIEW**

REV. 06.2015

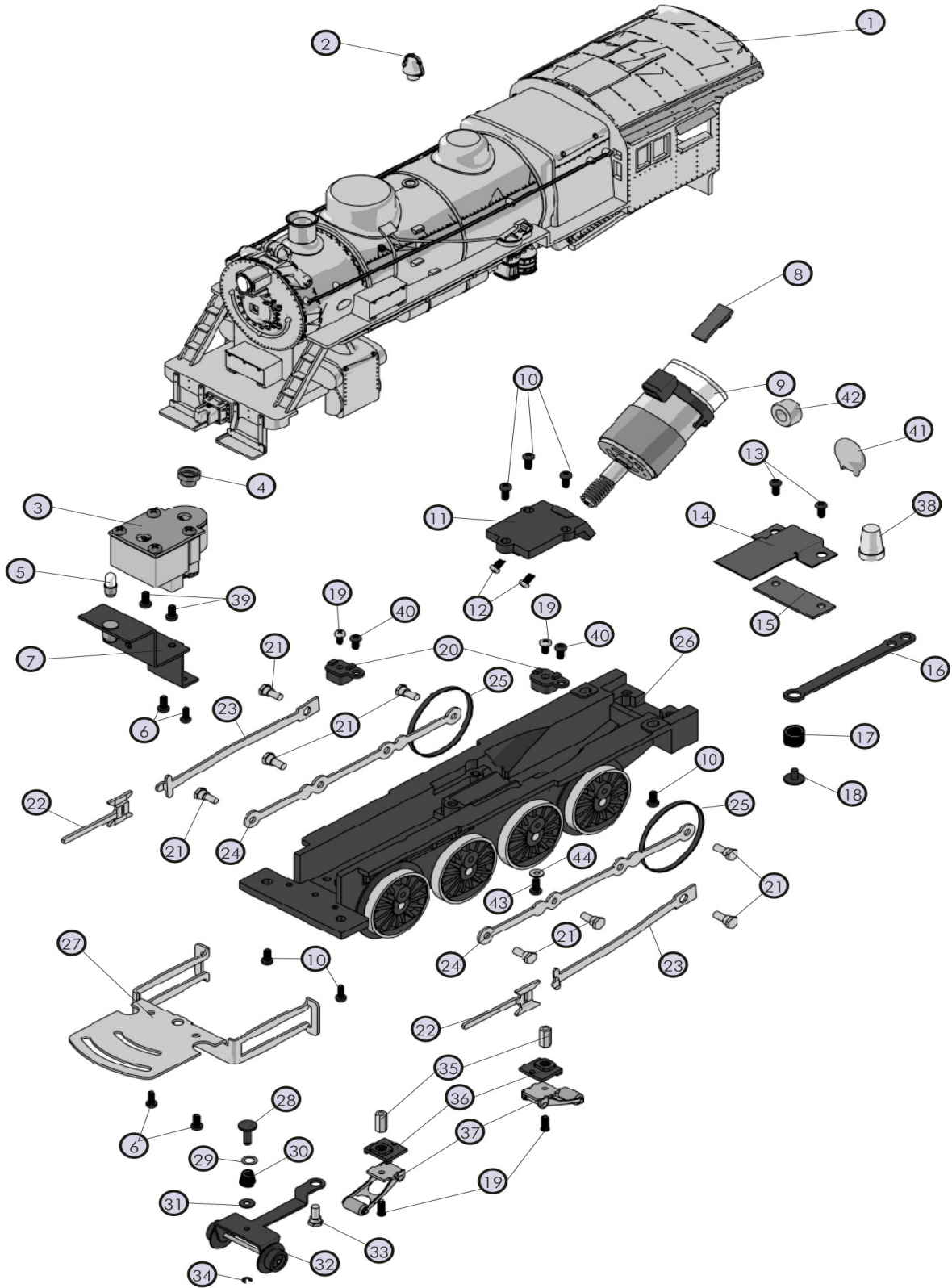
# PARTS LIST: 2-8-0 STEAM ENGINE (PS2)

## ENGINE PARTS



1.) SHELL (PENNSYLVANIA) (#2819) (PENNSYLVANIA) (#9943) (NEW YORK CENTRAL) (#2986) ( HARLEY-DAVIDSON )	<a href="#">FB-1200342</a> <a href="#">FB-1200343</a> <a href="#">FB-1200345</a> <a href="#">FB-1200356</a>	30.)SPRING ( 6.5X11.0MM )( W/ 0.4MM THICK WIRE )	<a href="#">IE-0000007</a>
2.) BELL (NICKEL)	<a href="#">FB-1200101</a>	31.) WASHER ( 3.0X7.0X0.4MM )	<a href="#">ID-0000031</a>
3.) SMOKE UNIT	<a href="#">AA-0000070</a>	32.) TRUCK ( LEAD )( SINGLE AXLE )	<a href="#">DA-1230013</a>
4.) BRASS CUP	<a href="#">AA-0000099</a>	33.) BOLT ( NICKEL )( M3X9.5MM LONG )	<a href="#">IA-0000253</a>
5.) BULB ( CLEAR )( HEADLIGHT ) ( 6V )( SMALL GLOBE )( SCREW BASE )	<a href="#">CA-0000038</a>	( 4.0X2.5MM SHOULDER )( 5.0MM HEX HEAD )	
6.) SCREW (4/40X6.0MM)(ROUNDHEAD)	<a href="#">IA-0000003</a>	34.) E-CLIP ( 2.5X6.0X0.5MM )	<a href="#">IF-0000004</a>
7.) BRACKET (BLACK) (SMOKE UNIT/HEADLIGHT)	<a href="#">IH-0000085</a>	35.) NUT ( NICKEL )( 2.5X5.0X10.0MM )	<a href="#">IC-0000005</a>
8.) TACH BOARD ( NO SPACER BETWEEN BOARD AND OPTICAL SENSOR )	<a href="#">AG-0000033</a>	36.) INSULATOR (BLACK) ( PICK-UP )( BOTTOM )( FLAT )( SQUARE )	<a href="#">BD-0000024</a>
9.) MOTOR ( 8.0X21.0MM GEAR SHAFT )( 13.0MM GEAR THREADS ) ( 9.0X30.0MM WHITE FLYWHEEL W/ BLACK STRIPES ) ( TACH BOARD MOUNTING STRAP )	<a href="#">BE-0000076</a>	37.) PICKUP	<a href="#">BD-0000013</a>
10.) SCREW ( 6/32X8.0MM )( ROUNDHEAD )	<a href="#">IA-0000050</a>	38.) WIRE NUT ( YELLOW )	<a href="#">BI-4500003</a>
11.) MOTOR MOUNT (BLACK)	<a href="#">BI-0000034</a>	39.) SCREW ( M3X6MM )( ROUNDHEAD )	<a href="#">IA-0000016</a>
12.) SCREW (M2.5X6.0MM)(ROUNDHEAD W/LOCK WASHER)	<a href="#">IA-0000089</a>	40.) SCREW ( M2.6X6.0MM )( ROUNDHEAD )	<a href="#">IA-0000320</a>
13.) SCREW ( 6/32X6.0MM )( ROUNDHEAD )	<a href="#">IA-0000027</a>	41.) SCREW ( 6/32X4.0MM )( ROUNDHEAD )	<a href="#">IA-0000060</a>
14.) BRACKET (BLACK) ( METAL )( 18.6X32.4X40.5MM )( T SHAPED )	<a href="#">IH-0000211</a>	42.) WASHER ( 6.0X3.0MM DIAM )( 0.70MM THICK )	<a href="#">ID-0000131</a>
15.) PC BOARD (GREEN) ( W/ 10 PIN FEMALE PLUG )	<a href="#">AG-0000039</a>	NS.) WIRE HARNESS, ENGINE	<a href="#">BC-1200186</a>
16.) DRAWBAR (BLACK) ( 67.5MM LONG )	<a href="#">FB-1200079</a>		
17.) SPRING ( 6.5X10.0MM )( W/ 0.6MM THICK WIRE )	<a href="#">IE-0000061</a>		
18.) SCREW ( 4/40X6.0MM )( WASHER HEAD )	<a href="#">IA-0000028</a>		
19.) SCREW (NICKEL) ( M3X6.0MM )( ROUNDHEAD )	<a href="#">IA-0000015</a>		
20.) INSULATOR (BLACK) ( TOP )( SQUARE )( PICK-UP )	<a href="#">BD-0000026</a>		
21.) BOLT (BLACK) (M3X9.5MM LONG)(HEX HEAD 5.0MM) (4.0X2.5MM SHOULDER)	<a href="#">IA-0000387</a>		
22.) CROSSHEAD (BLACK)	<a href="#">EC-1250036</a>		
23.) DRIVE ROD (BLACK)	<a href="#">EC-1250037</a>		
24.) SIDE ROD (BLACK)	<a href="#">EC-1250038</a>		
25.) TRACTION TIRE	<a href="#">DE-0000023</a>		
26.) DRIVE BLOCK	<a href="#">DF-1200037</a>		
27.) PIVOT PLATE (BLACK)	<a href="#">IH-1200005</a>		
28.) PIN ( 3.0X9.0MM )( FLATHEAD )( 1 E-CLIP GROOVE )	<a href="#">IG-0000007</a>		
29.) WASHER (BLACK)(3.0X7.0X0.4MM)  (PITTSBURGH STEELERS )	<a href="#">ID-0000028</a>  <a href="#">FB-1200357</a>		

# EXPLODED VIEW: 2-8-0 STEAM ENGINE (PS2) ENGINE



# PARTS LIST: 2-8-0 STEAM ENGINE (PS2) TENDER



1.) SHELL (PENNSYLVANIA)(#2819, #9943) (NEW YORK CENTRAL)	<a href="#">GA-1200129</a> <a href="#">GA-1200131</a>
2.) SCREW ( M3X4.0MM )( FLATHEAD )	<a href="#">IA-0000008</a>
3.) BRACKET	<a href="#">IH-0000024</a>
4.) SPEAKER (4 OHM, 3 WATT, 50 MM DIA.)	<a href="#">BF-0000034</a>
5.) GASKET (BLACK) ( SPEAKER RING )( 43.8X49.8X3.0MM )( FOAM )	<a href="#">IB-0000009</a>
6.) TENDER HARNESS (OUTSIDE)	<a href="#">BC-0000217</a>
7.) TENDER HARNESS (INSIDE)	<a href="#">BC-0000225</a>
8.) BATTERY	<a href="#">BG-4000003</a>
9.) BATTERY BRACKET	<a href="#">IH-0000396</a>
10.) SCREW (M3X8.0MM, ROUNDHEAD)	<a href="#">IA-0000035</a>
11.) MOUNTING POST	
12.) SCREW (M3X4.0MM)(ROUNDHEAD)	<a href="#">IA-0000010</a>
13.) BRACKET (PS2 BOARD MOUNT)	<a href="#">IH-0000391</a>
14.) PS2 BOARD (3 VOLT) (PROCESSOR)	<a href="#">AE-0000010</a>
15.) PS2 BOARD (3 VOLT) (POWER)	<a href="#">AE-0000011</a>
16.) BRACKET	<a href="#">IH-0000410</a>
17.) BATTERY LEAD W/2 PIN CHARGING JACK	<a href="#">BC-0000226</a>
18.) SCREW (M2X8.0MM)(ROUNDHEAD)	<a href="#">IA-0000086</a>
19.) SPACER (BLACK) ( 3.0X6.0X4.3MM )( PLASTIC )	<a href="#">ID-0000071</a>
20.) VOLUME POT (SMALL) ( BLUE POT MOUNTED ON GREEN PC BOARD )	<a href="#">BI-0000040</a>
21.) SCREW ( M3X6MM )( ROUNDHEAD )	<a href="#">IA-0000016</a>
22.) SCREW ( 4/40X6.0MM )( ROUNDHEAD )	<a href="#">IA-0000003</a>
23.) CHASSIS (BLACK) (FOR USE WITH TWO VOLUME POTS)	<a href="#">GB-1200060</a>
CHASSIS (BLACK) (FOR USE WITH SWITCH AND VOLUME POT)	<a href="#">GB-1200061</a>
24.) SCREW ( M3X16.0MM )( WASHER HEAD )( SELF-DRILLING THREADS )	<a href="#">IA-0000025</a>
25.) SCREW ( 6/32X6.0MM )( WASHER HEAD )	<a href="#">IA-0000214</a>
26.) T-BAR ( BLACK )( PLASTIC )	<a href="#">IG-0000001</a>
27.) PROTO-COUPLER™ 2.0 ( 51.0MM LONG )	<a href="#">DD-0000032</a>
28.) INSULATOR (COUPLER)	<a href="#">ID-0000123</a>
29.) SPRING (NICKEL) ( 6.5X14.0MM )( 0.5MM THICK WIRE )	<a href="#">IE-0000022</a>
30.) WASHER (5.0X10.0X1.0MM)	<a href="#">ID-0000026</a>
31.) E-CLIP ( 3.0X8.0X0.5MM )	<a href="#">IF-0000002</a>
32.) TRUCK ( BLACK )( TENDER )( 2 AXLE ) TRUCK (SILVER)(TENDER)(RUDOLPH) (HARLEY-DAVIDSON) (PITTSBURGH STEELERS)	<a href="#">DA-1250012</a> <a href="#">DA-1250015</a> <a href="#">GA-1200138</a> <a href="#">GA-1200139</a>

# EXPLODED VIEW: 2-8-0 STEAM ENGINE (PS2) TENDER

