

RAILKING
By M.T.H. Electric Trains

30-4082-0

N&W J



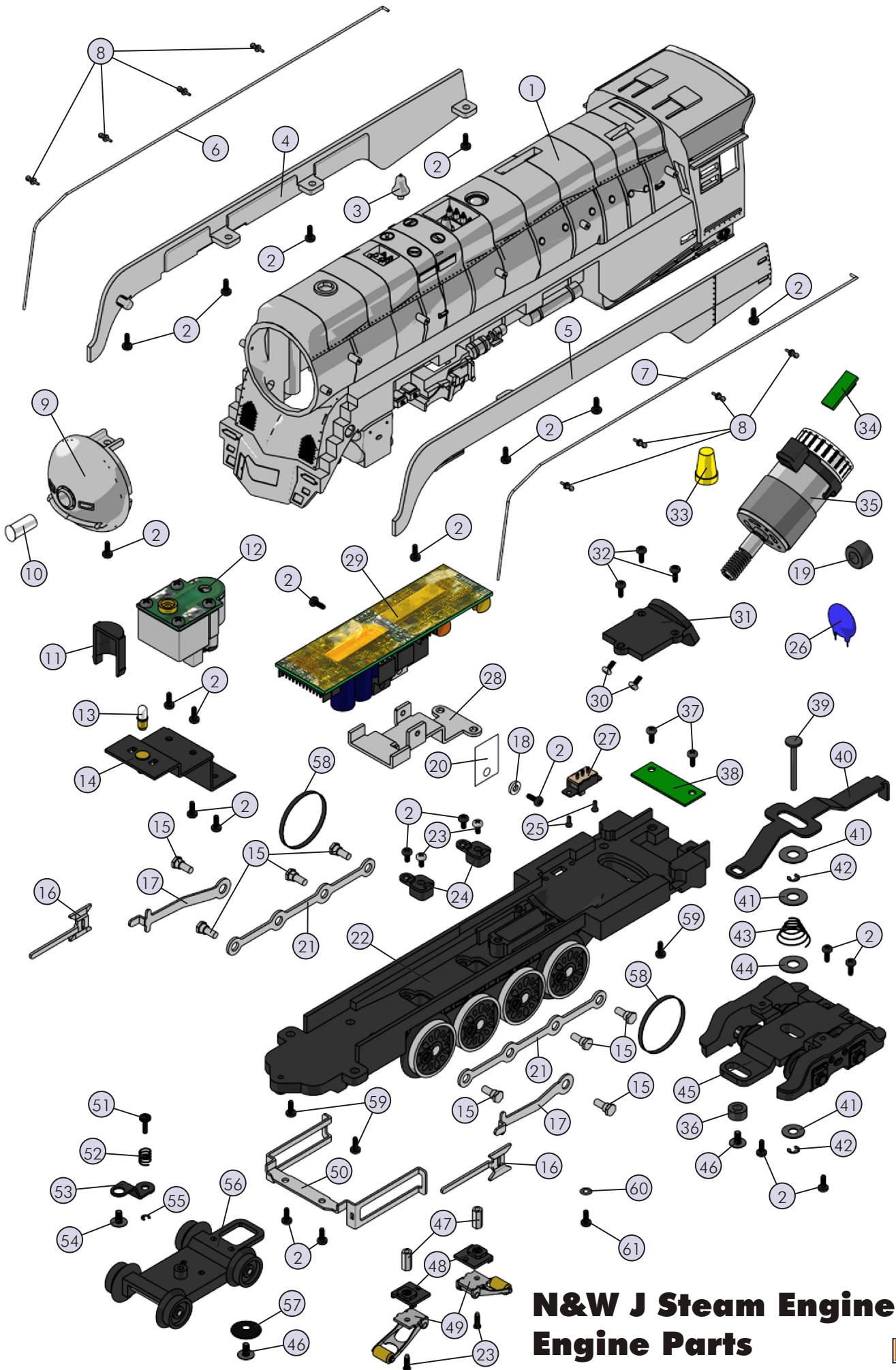
AE093002

N&W J Steam Engine

Engine Parts

Name and Number	Part #	\$Price Per Unit	Name and Number	Part #	\$Price Per Unit
1.) Shell (Tuscan, gold, black) (boiler)(metal)(N&W)(# 612)	FB-1200179	*100.00	38.) PC board (green) (w/ 10 pin female plug)	AG-0000039	8.00
2.) Screw (4/40x6.0mm)(roundhead)	IA-0000003	0.15	39.) Pin (5.0x25.3mm) (1.5x8.0mm flathead)(2 e-clip grooves)	IG-0000033	0.50
3.) Bell (nickel)	FB-1200002	4.00	40.) Draw bar (92.5x10.0mm)	FB-1200181	3.00
4.) Side panel (Tuscan w/ gold trim) (right)(N&W)(# 612)	FB-1210036	*15.00	41.) Washer (5.5x10.0x0.5mm)	ID-0000075	0.15
5.) Side panel (Tuscan w/ gold trim) (left)(N&W)(# 612)	FB-1220043	*15.00	42.) E-clip (3.5x9.0x0.6mm)	IF-0000009	0.15
6.) Handrail (nickel)(right)(boiler)	FB-1210037	2.00	43.) Spring (conical) (6.5x12.5x13.0mm)(0.6mm thick wire)	IE-0000062	0.50
7.) Handrail (nickel)(left)(boiler)	FB-1220044	2.00	44.) Washer (5.5x15.0x1.0mm)	ID-0000095	0.15
8.) Stanchion (black) (plastic)(3.0mm long)	FB-1200242	0.50	45.) Truck (black) (2 axles)(trailing)(boiler)	DA-1240032	25.00
9.) Boiler front (Tuscan) (N&W)(# 612)	FB-1200180	*12.00	46.) Screw (6/32x6.0mm)(washer head)	IA-0000214	0.15
10.) Lens (clear)(headlight)	FA-1230022	2.00	47.) Nut (nickel)(2.5x5.0x10.0mm)	IC-0000005	0.50
11.) Light reflector (black)(plastic)	CI-0000024	3.00	48.) Insulator (black) (pick-up)(bottom)(plastic)	BD-0000001	2.00
12.) Smoke unit (Proto-Sound® 2.0)	AA-0000029	* 50.00	49.) Pick-up (8.0x11.0mm roller)(28.0mm long)	BD-0000048	5.00
13.) Bulb (clear)(headlight) (6v)(small globe)(screw base)	CA-0000038	1.00	50.) Crosshead guide assembly	EA-1200013	6.00
14.) Bracket (black) (headlight/smoke unit)(metal)	IH-0000085	3.00	51.) Pin (black)(3.0x15.0mm) (1.3x6.0mm roundhead)(1 e-clip groove)	IG-0000003	0.50
15.) Bolt (nickel) (M3x8.0mm)(hex head)	IA-0000087	1.00	52.) Spring (nickel) (6.5x9.0mm)(0.5mm thick wire)	IE-0000009	0.50
16.) Crosshead (nickel)(38.8mm long)	EC-1250016	5.00	53.) Bracket (black)(lead truck)	IH-1230006	1.00
17.) Drive rod (nickel) (53.3mm long)	EC-1250022	5.00	54.) Screw (4/40x6.0mm)(washer head)	IA-0000028	0.15
18.) Insulator washer (white) (6.0x4.0x2.5mm)(plastic)	ID-0000033	0.15	55.) E-clip (2.5x6.0x0.5mm)	IF-0000004	0.15
19.) Ferrite bead	AI-0000030	2.00	56.) Truck (black) (lead)(2 axle)(boiler)	DA-1230022	20.00
20.) Insulator (clear) (13.0x19.0x0.1mm)(single hole)	ID-0000024	0.15	57.) Spacer (cup) (3.5x15.0x2.5mm)	ID-0000014	1.00
21.) Side rod (nickel) (87.5x1.0mm)(4 bolt holes)	EC-1250023	2.00	58.) Traction tire	DE-0000022	0.75
22.) Drive block (black)(4 axle)	DF-1200027	*75.00	59.) Screw (6/32x8.0mm)(roundhead)	IA-0000050	0.15
23.) Screw (nickel) (M3x6.0mm)(roundhead)	IA-0000015	0.15	60.) Washer (black) (3.0x6.0x0.4mm)(fiber)	ID-0000040	0.15
24.) Insulator (black) (top)(square)(pick-up)	BD-0000026	2.00	61.) Screw (6/32x4.0mm)(roundhead)	IA-0000060	0.15
25.) Screw (M2x4.0mm)(roundhead)	IA-0000058	0.15	NS.) Wire harness (black male 12 pin plug)	BC-1200107	15.00
26.) Capacitor (blue)(.01 uF) (16.0x2.0mm)(w/ 2 wires)	AI-0000031	2.00	NS.) Wire harness (black male 7 pin plug)	BC-1200108	8.00
27.) Switch (small)	BB-0000009	5.00	NS.) Wire harness (black male 5 pin plug)	BC-1200109	5.00
28.) Bracket (Aluminum) (for Loco-Sound® boards)	IH-0000171	3.00	NS.) Wire harness (black male 4 pin plug)	BC-1200110	4.00
29.) Boards (Loco-Sound®)	AE-0000003	*100.00			
30.) Screw (yellow Zinc) (M2.5x6.0mm)(roundhead w/lock washer)	IA-0000089	0.15			
31.) Motor mount (black)	BI-0000034	15.00			
32.) Screw (6/32x10.0mm)(roundhead)	IA-0000040	0.15			
33.) Wire nut (yellow)	BI-4500003	0.25			
34.) Tach board	AG-0000033	6.00			
35.) Motor (RS-365SH) (8.0x21.0mm worm gear)(13.0mm long threads) (9.0x30.0mm white flywheel w/ black stripes) (tach board mounting strap)	BE-0000076	25.00			
36.) Spacer (black) (6.0x9.0x3.8mm)(metal)	ID-0000103	1.00			
37.) Screw (6/32x6.0mm)(roundhead)	IA-0000027	0.15			

*Requires Exchange
All parts are priced as each



N&W J Steam Engine Engine Parts

N&W J Steam Engine Tender

Tender Parts

Name and Number	Part #	\$Price Per Unit
1.) Shell (Tuscan, gold, black) (tender)(Norfolk and Western)(plastic)	GA-1200067	*40.00
2.) Weight (black) (metal)(34.4x39.3x19.8mm) (w/ 2 holes tapped for 4/40 screws)	II-0000015	5.00
3.) Wire harness (black male 10 pin plug)	BC-1200106	12.00
4.) Screw (4/40x6.0mm)(roundhead)	IA-0000003	0.15
5.) Spacer (black) (3.0x6.0x4.0mm)(plastic)	ID-0000071	0.15
6.) Volume pot (small)(blue)	BI-0000040	5.00
7.) Screw (M3x8.0mm)(roundhead)	IA-0000035	0.15
8.) Screw (M3x6.0mm)(roundhead)	IA-0000016	0.15
9.) Speaker cone (black) (44.0x48.3x23.0mm)(2 screw hole tabs)(plastic)	BF-0000016	5.00
10.) Speaker (Cuistack)(GF0501, 8 ohms, 0.25 watt)	BF-0000015	8.95
11.) Gasket (black) (speaker ring)(43.8x49.8x3.0mm)(foam)	IB-0000009	0.50
12.) Chassis (black)(tender) (has holes for battery charger jack)	GB-1200048	*15.00
13.) Screw (M3x16.0mm)(washer head)(self-drilling threads)	IA-0000025	0.15
14.) T-bar	IG-0000001	0.50
15.) Coupler (black) (mechanical)(51.5mm long)	DD-0000039	3.00
16.) Armature (black) (45.0mm long)	DD-0000040	1.00
17.) Spring (6.5x11.0mm)(w/ 0.4mm thick wire)	IE-0000007	0.50
18.) Washer (black)(plastic) (4.6x8.6x2.0mm)(inside 7.0x1.0mm)(cup shaped)	ID-0000060	0.15
19.) E-clip (3.0x8.0x0.5mm)	IF-0000002	0.15
20.) Screw (6/32x6.0mm)(washer head)	IA-0000214	0.15
21.) Truck (black) (3 axle)(leading/trailing)(tender)	DA-1250005	25.00
22.) Draw bar (60.7x10.0x1.2mm)(1 step, 2 bends) (2 large holes, 1 small hole)	GA-1200027	3.00
NS.) Axle bearing (black) (3 axle)(plastic)	DC-0000005	3.00

*Requires Exchange
All parts are priced as each

N&W J Steam Engine Tender

Tender Parts

