



2-8-0 STEAM ENGINE

30-4136-0E

30-4185-0E

PARTS LIST & EXPLODED VIEW

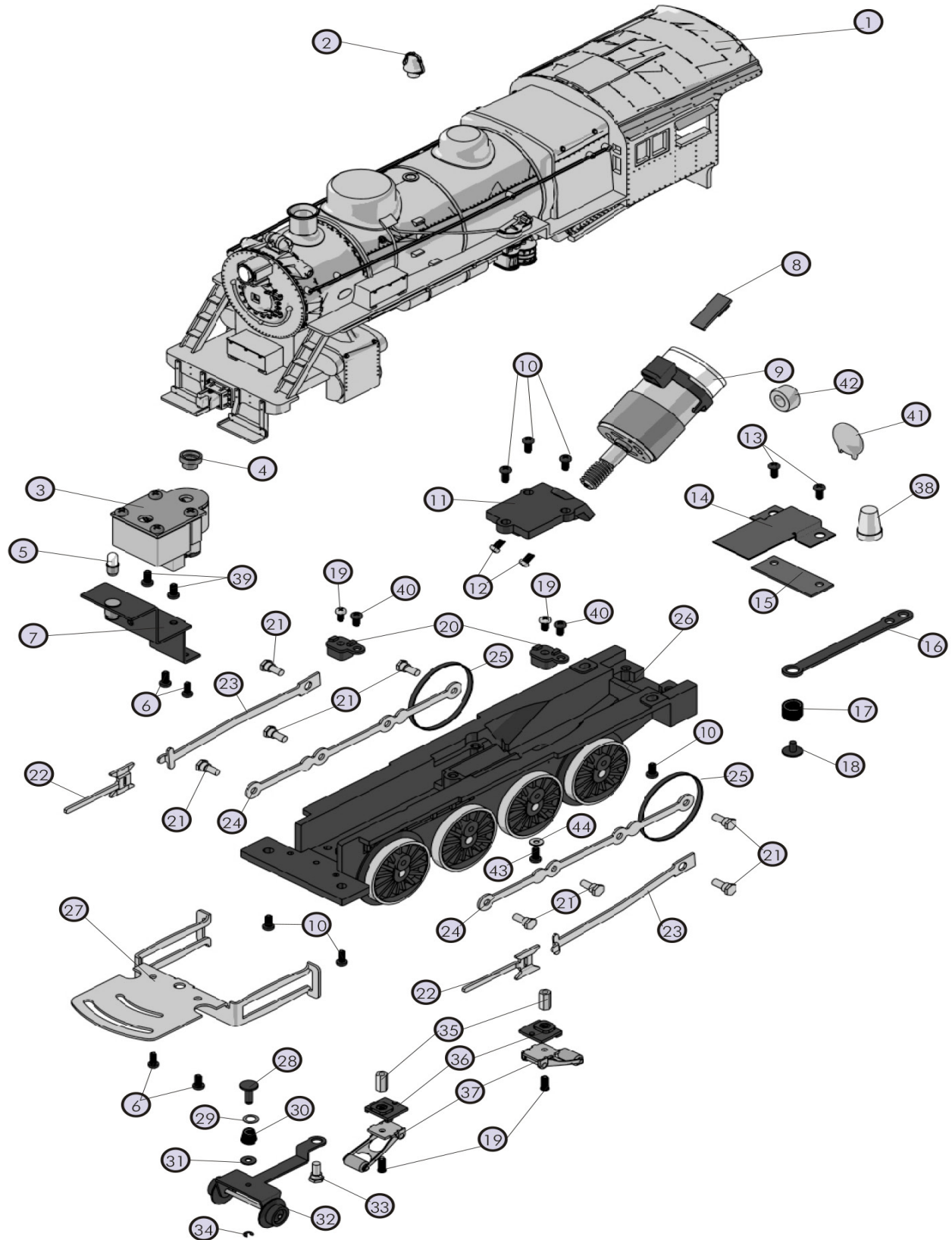
REV. 06.2015

PARTS LIST: 2-8-0 STEAM ENGINE (LOCO-SOUND) ENGINE



1.) SHELL (PENNSYLVANIA) (#2819) (PENNSYLVANIA) (#9943) (NEW YORK CENTRAL) (#2986)	FB-1200342 FB-1200343 FB-1200345		
2.) BELL (NICKEL)	FB-1200101		
3.) SMOKE UNIT	AA-0000070		
4.) BRASS CUP	AA-0000099		
5.) BULB (CLEAR)(HEADLIGHT) (6V)(SMALL GLOBE)(SCREW BASE)	CA-0000038		
6.) SCREW (4/40X6.0MM)(ROUNDHEAD)	IA-0000003		
7.) BRACKET (BLACK) (SMOKE UNIT/HEADLIGHT)	IH-0000085		
8.) TACH BOARD (NO SPACER BETWEEN BOARD AND OPTICAL SENSOR)	AG-0000033		
9.) MOTOR (8.0X21.0MM GEAR SHAFT)(13.0MM GEAR THREADS) (9.0X30.0MM WHITE FLYWHEEL W/ BLACK STRIPES) (TACH BOARD MOUNTING STRAP)	BE-0000076		
10.) SCREW (6/32X8.0MM)(ROUNDHEAD)	IA-0000050		
11.) MOTOR MOUNT (BLACK)	BI-0000034		
12.) SCREW (M2.5X6.0MM)(ROUNDHEAD W/LOCK WASHER)	IA-0000089		
13.) SCREW (6/32X6.0MM)(ROUNDHEAD)	IA-0000027		
14.) BRACKET (BLACK) (METAL)(18.6X32.4X40.5MM)(T SHAPED)	IH-0000211		
15.) PC BOARD (GREEN) (W/ 10 PIN FEMALE PLUG)	AG-0000039		
16.) DRAWBAR (BLACK) (67.5MM LONG)	FB-1200079		
17.) SPRING (6.5X10.0MM)(W/ 0.6MM THICK WIRE)	IE-0000061		
18.) SCREW (4/40X6.0MM)(WASHER HEAD)	IA-0000028		
19.) SCREW (NICKEL) (M3X6.0MM)(ROUNDHEAD)	IA-0000015		
20.) INSULATOR (BLACK) (TOP)(SQUARE)(PICK-UP)	BD-0000026		
21.) BOLT (BLACK) (M3X9.5MM LONG)(HEX HEAD 5.0MM) (4.0X2.5MM SHOULDER)	IA-0000387		
2-8-0 STEAM ENGINE (LOCOSOUND)			
22.) CROSSHEAD (BLACK)	EC-1250036		
23.) DRIVE ROD (BLACK)	EC-1250037		
24.) SIDE ROD (BLACK)	EC-1250038		
25.) TRACTION TIRE	DE-0000023		
26.) DRIVE BLOCK	DF-1200037		
27.) PIVOT PLATE (BLACK)	IH-1200005		
28.) PIN (3.0X9.0MM)(FLATHEAD)(1 E-CLIP GROOVE)	IG-0000007		
29.) WASHER (BLACK)(3.0X7.0X0.4MM)	ID-0000028		
30.)SPRING (6.5X11.0MM)(W/ 0.4MM THICK WIRE)	IE-0000007		
31.) WASHER (3.0X7.0X0.4MM)		ID-0000031	
32.) TRUCK (LEAD)(SINGLE AXLE)		DA-1230013	
33.) BOLT (NICKEL)(M3X9.5MM LONG) (4.0X2.5MM SHOULDER)(5.0MM HEX HEAD)		IA-0000253	
34.) E-CLIP (2.5X6.0X0.5MM)		IF-0000004	
35.) NUT (NICKEL)(2.5X5.0X10.0MM)		IC-0000005	
36.) INSULATOR (BLACK) (PICK-UP)(BOTTOM)(FLAT)(SQUARE)		BD-0000024	
37.) PICKUP		BD-0000013	
38.) WIRE NUT (YELLOW)		BI-4500003	
39.) SCREW (M3X6MM)(ROUNDHEAD)		IA-0000016	
40.) SCREW (M2.6X6.0MM)(ROUNDHEAD)		IA-0000320	
41.) CAPACITOR (BLUE)(.01 UF) (16.0X2.0MM)(W/ 2 WIRES)		AI-0000031	
42.) FERRITE BEAD		AI-0000030	
43.) SCREW (6/32X4.0MM)(ROUNDHEAD)		IA-0000060	
44.) WASHER (6.0X3.0MM DIAM)(0.70MM THICK)		ID-0000131	
NS.) WIRE HARNESS, ENGINE		BC-1200187	

EXPLODED VIEW: 2-8-0 STEAM ENGINE (LO-COSOUND)



PARTS LIST: 2-8-0 STEAM ENGINE (LOCO-SOUND) TENDER



1.) SHELL (TENDER)(PLASTIC) (PENNSYLVANIA) (NEW YORK CENTRAL)	GA-1200131 GA-1200129	(6/32X6.0MM)(WASHER HEAD)	
2.) BOARD (LOCO-SOUND®)(STEAM/TURBINE)	AE-0000003	29.) GASKET (BLACK)	IB-0000009
3.) SCREW (4/40X8.0MM)(ROUNDHEAD)	IA-0000011	(SPEAKER RING)(43.8X49.8X3.0MM)(FOAM)	
4.) INSULATOR WASHER (WHITE) (3.0X6.0X3.0MM)	ID-0000025	30.) TENDER HARNESS (INSIDE) (LOCO SOUND)	BC-0000230
5.) INSULATOR (CLEAR) (SINGLE HOLE)	ID-0000024		
6.) SCREW (M3X4.0MM)(ROUNDHEAD)	IA-0000010		
7.) SCREW (M3X8.0MM)(ROUNDHEAD)	IA-0000035		
8.) WIRE NUT (YELLOW)	BI-4500003		
9.) SPEAKER CONE (BLACK) (44.0X48.3X23.0MM)(PLASTIC)(2 SCREW HOLE TABS)	BF-0000016		
10.) SPEAKER (8 OHMS, 1 WATT)(50MM DIAMETER)	BF-0000038		
11.) TENDER HARNESS (OUTSIDE) (10 PIN MALE ANGLED PLUG)(W/230.0MM LONG WIRES) (W/10 PIN MALE FLAT PLUG)	BC-0000217		
12.) SCREW (M2X4.0MM)(ROUNDHEAD)	IA-0000058		
13.) SWITCH (SMALL)	BB-0000009		
14.) SCREW (4/40X6.0MM)(ROUNDHEAD)	IA-0000003		
15.) BRACKET (ALUMINUM) (FOR LOCO-SOUND® BOARD) (14.0X76.0X24.7MM)(5.0MM STEP)	IH-0000212		
16.) SCREW (M3X8.0MM)(ROUNDHEAD)	IA-0000035		
17.) VOLUME POT (SMALL) (BLUE W/ GREEN BOARD)	BI-0000040		
18.) SPACER (BLACK) (3.0X6.0X4.0MM)(PLASTIC)	ID-0000071		
19.) CHASSIS (BLACK) (175.0X57.0MM)(SINGLE SPEAKER GRATE)	GB-1200035		
20.) SCREW (M3X16.0MM)(WASHER HEAD)(SELF-DRILLING THREADS)	IA-0000025		
21.) T-BAR	IG-0000001		
22.) COUPLER (BLACK) (MECHANICAL)(51.5MM LONG)	DD-0000039		
23.) ARMATURE (BLACK) (45.0MM LONG)	DD-0000040		
24.) SPRING (6.5X11.0MM)(W/ 0.4MM THICK WIRE)	IE-0000007		
25.) WASHER (BLACK) (4.6X8.6X2.0MM)(INSIDE 7.0X1.0MM) (PLASTIC)(CUP SHAPED)	ID-0000060		
26.) E-CLIP (3.0X8.0X0.5MM)	IF-0000002		
27.) TRUCK (BLACK) (TENDER)(2 AXLE)	DA-1250012		
28.) SCREW	IA-0000214		

EXPLODED VIEW: 2-8-0 STEAM ENGINE (LO-COSOUND) TENDER

