

RAIL KING[®]
By M.T.H. Electric Trains

30-4062-0

30-4063-0

30-4064-0

Brill Trolley



GL111201

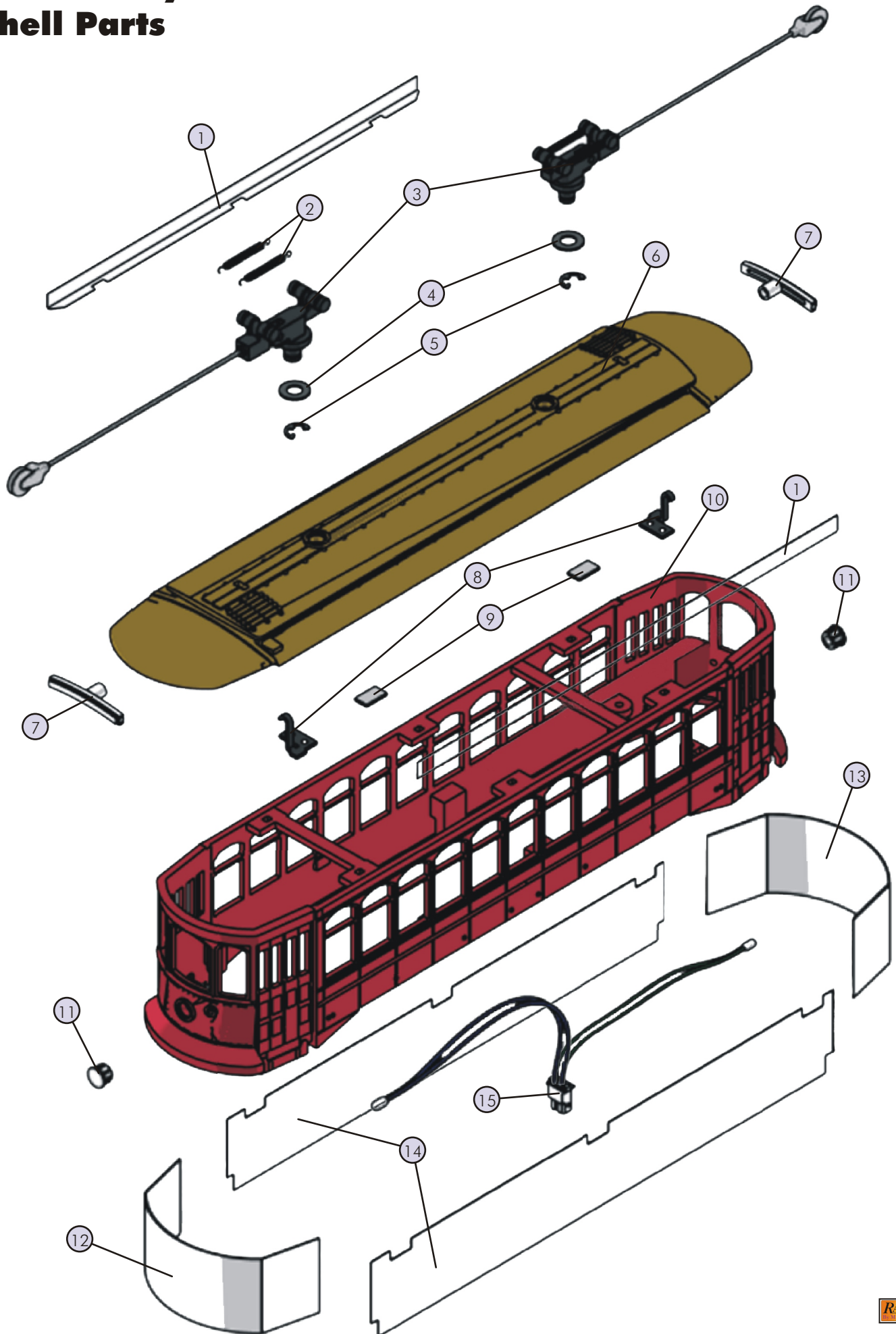
Brill Trolley

Shell Parts

Name and Number	Part #	\$Price Per Unit
1.) Lens (clear)(187.0mm long)	FA-3200009	2.00
2.) Spring (black) (3.0x16.5mm)(w/ 0.3mm thick wire)	IE-0000053	0.50
3.) Trolley pole (black & nickel) (complete w/ springs)	FF-3200027	10.00
4.) Washer (clear) (5.0x9.0x0.2mm)	ID-0000086	0.15
5.) E-clip (black)(3.0x8.0x0.5mm)	IF-0000002	0.15
6.) Roof (gray) (New York Transit)(# 1144)	FF-3200050	*14.00
Roof (red) (Christmas)(# 2001)	FF-3200051	*14.00
Roof (black) (Philadelphia Transit)(# 27)	FF-3200052	*14.00
7.) Lens (black w/ clear letters) (145TH & Lenox Ave.)(New York Transit)(# 1144)	FA-3200016	3.00
Lens (black w/ white letters) (North Pole)(Christmas)(# 2001)	FA-3200017	3.00
Lens (black w/ clear letters) (Sharon Hill)(Philadelphia Transit)(# 27)	FA-3200018	3.00
8.) Clip (black) (for holding down trolley pole)	FF-3200031	2.00
9.) Wire strap (white) (plastic)(clip)	IH-0000289	1.00
10.) Shell (red, cream, gray) (New York Transit)(# 1144)	FF-3200053	*35.00
Shell (red, green, white) (Christmas)(# 2001)	FF-3200054	*35.00
Shell (red, cream, silver, black) (Philadelphia Transit)(# 27)	FF-3200055	*35.00
11.) Lens (clear) (headlight/back-up light)	FA-3200012	2.00
12.) Lens (tinted w/ figure) (door lens has two tabs on each side)	FA-3200015	4.00
13.) Lens (tinted w/ figure) (door lens has one tab on each side)	FA-3200013	4.00
14.) Lens (tinted w/ figures)	FA-3200014	6.00
15.) Bulbs (clear)(2)(6v) (170.0mm long wires w/ black male 2 pin plug) (grain of wheat)	CC-0000047	4.00

*Requires Exchange
All parts are priced as each

Brill Trolley Shell Parts



Brill Trolley

Chassis Parts

Name and Number	Part #	\$Price Per Unit	Name and Number	Part #	\$Price Per Unit
1.) Wire nut (yellow)	BI-4500003	0.25	30.) Screw	IA-0000025	0.15
2.) Boards (Loco-Sound®) (DIESEL/ELECTRIC)	AE-0000002	*100.00	(M3x16.0mm)(washer head)(self-drilling threads)		
3.) Screw	IA-0000035	0.15	31.) Truck side (black)	DB-0000007	10.00
(M3x8.0mm)(roundhead)			(New York Transit)(# 1144)(Philadelphia Transit)(# 27)		
4.) Volume pot (small)	BI-0000040	5.00	Truck side (green)	DB-0000008	10.00
(blue pot mounted on green PC board)			(Christmas)(# 2001)		
5.) Spacer (black)	ID-0000071	0.15	32.) Undercarriage detail (black)	FF-3200058	*10.00
(plastic)(3.0x6.0x4.0mm)			(New York Transit)(# 1144)(Philadelphia Transit)(# 27)		
6.) Screw	IA-0000010	0.15	Undercarriage detail (red)	FF-3200059	*10.00
(M3x4.0mm)(roundhead)			(Christmas)(# 2001)		
7.) Bracket (black)(light bracket)	IH-0000291	3.00	33.) Screw (nickel)	IA-0000160	0.15
(8.2x14.0mm)(15.6mm & 6.8mm steps)(metal)			(M2.5x12.0mm)(roundhead)		
8.) Grommet (black)	IH-0000144	0.50	34.) Insulator (black)	BD-0000046	2.00
(cupped)(rubber)			(pick-up)(round)(top)		
9.) Bulb (clear)(6v)	CF-0000012	3.00	35.) Screw	IA-0000038	0.15
(90.0mm long wires w/ green male 2 pin plug)			(4/40x6.0mm)(flathead)		
(grain of wheat)(reverse light)			36.) Traction tire (black)(rubber)	DE-0000014	0.75
10.) Bulb (clear)(6v)	CA-0000045	3.00	37.) Truck (black)	DA-0000009	*30.00
(90.0mm long wires w/ blue male 2 pin plug)			(2 axle)(powered)(spoked wheels)		
(grain of wheat)(headlight)			38.) Truck (black)	DA-0000010	*25.00
11.) Chassis (black)(metal)	GB-3200004	*15.00	(2 axle)(non-powered)(spoked wheels)		
(Loco-Sound®)			39.) Insulator (black)	BD-0000003	2.00
12.) Bracket (black)	IH-0000267	4.00	(pick-up)(bottom)		
(15.0x22.0mm plastic base w/ 9.2mm step)			40.) Pick-up (6.0x11.0mm roller)	BD-0000004	5.00
(for bayonet bulb)			(18.5mm long)(screws on from top)		
13.) Screw	IA-0000016	0.15	41.) Screw	IA-0000214	0.15
(M3x6.0mm)(roundhead)			(6/32x6.0mm)(washer head)		
14.) Bulb (clear)	CG-0000024	1.00	NS.) Wire harness	BC-3200005	12.00
(6v)(small globe)(bayonet base)			(black male 12 pin plug)		
15.) Screw	IA-0000003	0.15	NS.) Wire harness	BC-3200003	10.00
(4/40x6.0mm)(roundhead)			(black male 7 pin plug)		
16.) Insulator washer (white)	ID-0000025	0.15	NS.) Wire harness	BC-3200006	4.00
(3.0x6.0x3.0mm)			(black male 5 pin plug)		
17.) Insulator (clear)	ID-0000024	0.15			
(13.0x16.0x0.1mm)(single hole)					
18.) Bracket (Aluminum)	IH-0000292	3.00			
(14.0x47.0mm)(12.0mm step)					
(for Loco-Sound® board)					
19.) Screw	IA-0000296	0.15			
(M3x3.0mm)(roundhead)					
20.) Bracket (brass)	IH-0000271	1.00			
(speaker)(9.0x9.5mm)(0.7mm thick)(3.0mm step)					
21.) Speaker	BF-4500013	8.95			
(Unison U4508BSR, 8 ohms, 0.9 watt)					
22.) Tach board	AG-0000033	6.00			
23.) Rubber band	BI-4500004	0.50			
24.) Motor (RS-365SH)	BE-0000100	25.00			
(7.9x18.5mm worm gear w/ 10.0mm long threads)					
(9.5x30.0mm white tapered flywheel w/ black stripes)					
(w/ tach board mount)					
25.) Screw	IA-0000021	0.15			
(4/40x4.0mm)(roundhead)					
26.) Motor mount (black)	BI-0000041	15.00			
27.) Screw (yellow Zink)	IA-0000089	0.15			
(M2.5x6.0mm)(roundhead)(w/ lock washer)					
28.) Screw	IA-0000155	0.15			
(M3x10.0mm)(roundhead)(w/ lock washer)					
29.) Grill (black)	FF-3200056	6.00			
(New York Transit)(# 1144)(Philadelphia Transit)(# 27)					
Grill (red)	FF-3200057	6.00			
(Christmas)(# 2001)					

*Requires Exchange
All parts are priced as each

Brill Trolley Chassis Parts

