

RAILKING[®]
By M.T.H. Electric Trains

30-4036-1a
30-4036-0a

N&W J

(Bantam)



REV.011601



N&W J Steam Engine

Engine Parts

Name and Number	Part #	\$Price Per Unit	Name and Number	Part #	\$Price Per Unit
1.) Shell (Tuscan, gold, black) (boiler)(metal)(N&W)(#612)	FB-1200179	*100.00	37.) Screw (6/32x6.0mm)(roundhead)	IA-0000027	0.15
2.) Screw (4/40x6.0mm)(roundhead)	IA-0000003	0.15	38.) PCB (10 pin)(female)	AG-0000039	8.00
3.) Bell (nickel)	FB-1200002	4.00	39.) Pin (5.0x25.3mm) (1.5x8.0mm flathead)(2 e-clip grooves)	IG-0000033	0.50
4.) Side panel (right) (Tuscan w/ gold trim)(#612)	FB-1210036	*15.00	40.) Draw bar (92.5x10.0mm)	FB-1200181	3.00
5.) Side panel (left) (Tuscan w/ gold trim)(#612)	FB-1220043	*15.00	41.) Washer (5.5x10.0x0.5mm)	ID-0000075	0.15
6.) Handrail (nickel) (right)(boiler)	FB-1210037	2.00	42.) E-clip (3.5x9.0x0.6mm)	IF-0000009	0.15
7.) Handrail (nickel) (left)(boiler)	FB-1220044	2.00	43.) Spring (conical) (6.5x12.5x13.0mm)(0.6mm thick wire)	IE-0000062	0.50
8.) Stanchions (black)	FB-1200024	0.25	44.) Washer (5.5x15.0x1.0mm)	ID-0000095	0.15
9.) Boiler front (Tuscan) (N&W "J")(#612)	FB-1200180	*12.00	45.) Truck (black) (2 axles)(trailing)(boiler)	DA-1240032	25.00
10.) Lens (clear)(headlight)	FA-1230022	2.00	46.) Screw (6/32x6.0mm)(washer head)	IA-0000214	0.15
11.) Light reflector (black)(plastic)	CI-0000024	3.00	47.) Nut (nickel) (2.5x5.0x10.0mm)	IC-0000005	0.50
12.) Smoke unit (Proto-Sound 2.0®)	AA-0000029	*50.00	48.) Insulator (pick-up)(bottom)	BD-0000001	2.00
13.) Bulb (clear)(headlight) (6V)(small globe)(screw base)	CA-0000038	1.00	49.) Pick-up (8.0x11.0mm roller)(28.0mm long)	BD-0000048	5.00
14.) Bracket (black) (headlight / smoke unit)(metal)	IH-0000085	3.00	50.) Crosshead guide assembly	EA-1200013	6.00
15.) Bolt (nickel) (M3x8.0mm)(hex head)	IA-0000087	1.00	51.) Pin (3.0x15.0mm) (1.3x6.0mm roundhead)(1 e-clip groove)	IG-0000003	0.50
16.) Crosshead (nickel) (38.8mm long)	EC-1250016	5.00	52.) Spring (cylindrical) (6.5x9.0mm)(0.5mm thick)	IE-0000009	0.50
17.) Drive rod (nickel) (53.3mm long)	EC-1250022	5.00	53.) Bracket (black)(lead truck)	IH-1230006	1.00
18.) Insulator washer (white)	ID-0000033	0.15	(32.0x7.0mm)(2 bends, 2 holes)		
19.) Voltage regulator (LM2937ET)	AG-0000032	3.00	54.) Screw (4/40x6.0mm)(washer head)	IA-0000028	0.15
20.) Insulator (clear)	ID-0000024	0.15	55.) E-clip (2.5x6.0x0.5mm)	IF-0000004	0.15
21.) Side rod (nickel) (87.5x1.0mm)(4 bolt holes)	EC-1250023	2.00	56.) Truck (black) (lead)(2 axle)(boiler)	DA-1230022	20.00
22.) Drive block (black)(4 axle)	DF-1200027	*75.00	57.) Spacer (cup) (3.5x15.0x2.5mm)	ID-0000014	1.00
23.) Screw (nickel) (M3x6.0mm)(roundhead)	IA-0000015	0.15	58.) Traction tire	DE-0000022	0.75
24.) Insulator (black) (top)(square)(pick-up)	BD-0000026	2.00	59.) Screw (6/32x8.0mm)(roundhead)	IA-0000050	0.15
25.) Screw (M2x4.0mm)(roundhead)	IA-0000058	0.15	NS.) Wire harness (10 pin female PC Board)	BC-1200013	15.00
26.) Screw (4/40x14.0mm)(roundhead)	IA-0000122	0.15	NS.) Wire harness (7 pin male plug)	BC-1200014	8.00
27.) Switch (small)	BB-0000009	5.00	NS.) Wire harness (5 pin male plug)	BC-1200015	5.00
28.) Bracket (Aluminum) (for Proto-Sound 2.0® boards)	IH-0000170	3.00	NS.) Wire harness (4 pin male plug)	BC-1200016	4.00
29.) Boards (Proto-Sound 2.0®)	AE-0000001	*200.00	NS.) Wire harness (single metal eyelet mounted on 70.0mm long red wire)	BC-1200024	2.00
30.) Screw (yellow zinc) (M2.5x6.0mm)(roundhead w/lock washer)	IA-0000089	0.15	NS.) Wire harness (single metal eyelet mounted on 70.0mm long black wire)	BC-1200025	2.00
31.) Motor mount (black)	BI-0000034	15.00	NS.) Wire harness (two metal eyelets connected together by a 40.0mm red wire)	BC-1200026	2.00
32.) Screw (6/32x10.0mm)(roundhead)	IA-0000040	0.15	NS.) Insulator (sleeve)(black)	BD-0000068	1.00
33.) Wire nut (yellow)	BI-4500003	0.25	NS.) Screw (4/40x4.0mm) (roundhead)	IA-0000021	0.15
34.) Tach board	AG-0000033	6.00	(used to seal grease hole in drive shaft cavity)		
35.) Motor (RS-365SH) (8.0x21.0mm worm gear)(13.0mm long threads) (9.0x30.0mm flywheel)(w/ tach board mounting strap)	BE-0000076	25.00	NS.) Washer (fiber)(black)	ID-0000040	0.15
36.) Tach tape (fits 30.0mm flywheel)(1.96mm wide stripes) (black & white striped tape)	BE-0000069	1.00			

*Requires Exchange
All parts are priced as each



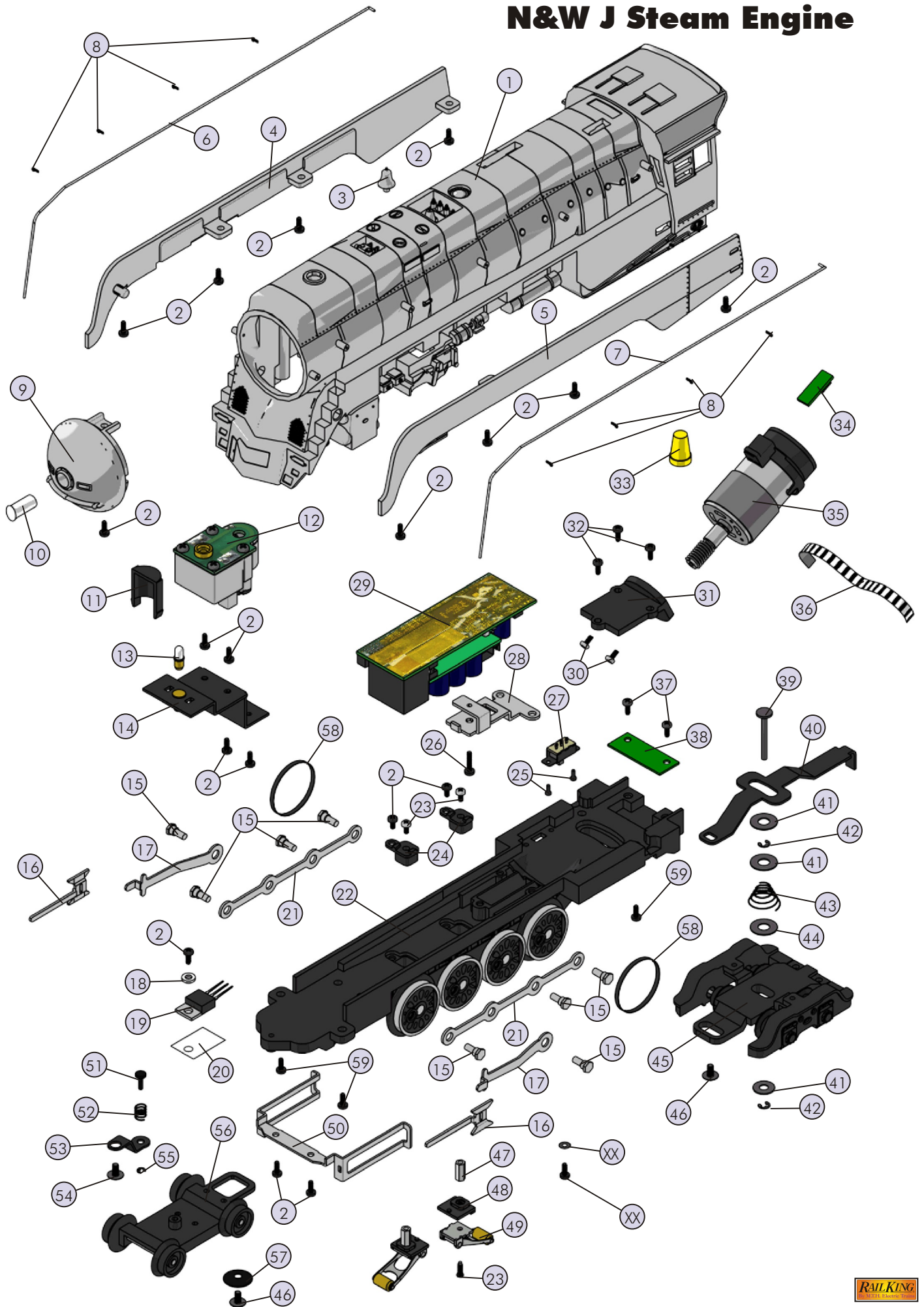
Name and Number Part # \$Price Per Unit

Loco- Sound® Parts

18.) Insulator washer (white)	ID-0000033	0.15
20.) Insulator (clear)	ID-0000024	0.15
26.) Screw (4/40x8.0mm) (roundhead)(for mounting board to bracket)	IA-0000011	0.15
28.) Bracket (Aluminum) (for Loco-Sound® boards)	IH-0000171	3.00
29.) Boards (Loco-Sound®)	AE-0000003	*100.00
NS.) Wire harness (10 pin green female PC Board)	BC-1200012	15.00
NS. Wire harness (5 pin male plug)	BC-1200018	5.00
NS.) Ferrite bead (grey) (4.6x9.7x9.4mm)(barrel shape)	AI-0000030	2.00
NS.) Capacitor (blue)(.01 uF) (16.0x2.0mm)(2 wire leads)	AI-0000031	2.00

*Requires Exchange
All parts are priced as each

N&W J Steam Engine



N&W J Steam Engine Tender

Tender Parts

Name and Number	Part #	\$Price Per Unit
1.) Shell (Tuscan, gold, black) (tender)(Norfolk and Western)(plastic)	GA-1200067	*40.00
2.) Screw (M3x6.0mm)(roundhead)	IA-0000016	0.15
3.) Wire harness (10 pin male plug)(275.0mm long wires) (1 white female 2 pin plug) (1 black female 2 pin plug)(battery lead plug)	BC-1200010	12.00
4.) Battery	BG-4000001	9.95
5.) Speaker cone (black) (44.0x48.3x23.0mm)(plastic) (2 screw hole tabs)	BF-0000016	5.00
6.) Wire nut (yellow)	BI-4500003	0.25
7.) Screw (M3x8.0mm)(roundhead)	IA-0000035	0.15
8.) Speaker (Cuistack) (GF0501)(16 ohms)(0.25 watt)	BF-0000007	8.95
9.) Bracket (battery)	IH-0000042	3.00
10.) Spacer (black) (3.0x6.0x4.0mm)(plastic)	ID-0000071	0.15
11.) Volume pot (small)(blue)	BI-0000040	5.00
12.) Chassis (black)(tender)	GB-1200038	*15.00
13.) Draw bar (1 step, 2 bends) (60.7x10.0x1.2mm) (2 large holes, 1 small hole)	GA-1200027	3.00
14.) Screw (4/40x6.0mm)(washer head)	IA-0000028	0.15
15.) Screw (M3x15.0mm)(washer head)(self-drilling)	IA-0000262	0.15
16.) Screw (6/32x6.0mm)(washer head)	IA-0000214	0.15
17.) Truck (black) (3 axle)(leading/trailing)(tender)	DA-1250005	25.00
18.) Screw (4/40x6.0mm)(roundhead)	IA-0000003	0.15
19.) Ground strap (copper)	II-0000005	0.15
20.) T-bar	IG-0000001	0.50
21.) Coupler (Proto Sound 2.0®) (51.0mm long)	DD-0000032	10.00
22.) Spring (6.5x14.0mm)(0.5 thick wire)	IE-0000022	0.50
23.) Washer (4.5x10.0x5.0mm)	ID-0000009	0.15
24.) E-clip (3.0x8.0x0.5mm)	IF-0000001	0.15
25.) Gasket (black) (speaker ring)(43.8x49.8x3.0mm)(foam)	IB-0000009	0.50
NS.) Axle bearing (black) (3 axle)(plastic)	DC-0000005	3.00
NS.) Wire harness (2 pin white male plug)	BC-1200022	2.00
NS.) Wire harness (2 pin black male plug) (wires connect to PS 2.0 coupler)	BC-1200023	2.00

Tender Parts

Name and Number	Part #	\$Price Per Unit
23.) Washer (black)(plastic) (4.6x8.5x0.5mm)(cup shaped for spring to fit in)	ID-0000060	0.15
NS.) Coupler (mechanical)(51.0mm)	DD-0000011	3.00
NS.) Armature (45.0mm long)	DD-4000007	1.00
NS.) Weight (Aluminum) (40.0x34.5x20.0mm)(158 grams)	II-0000013	4.00
NS.) Wire harness (2 pin white male plug)	BC-1200022	2.00

*Requires Exchange
All parts are priced as each

Loco- Sound® Parts

3.) Wire harness (10 pin male plug)	BC-1200011	12.00
8.) Speaker (Cuistack) (GFO501)(8 ohms, 0.25 watts)	BF-0000015	8.95
12.) Chassis (black)(tender)	GB-1200037	*15.00
22.) Spring (6.5x11.0mm)(0.5mm thick wire)	IE-0000009	0.50

N&W J Steam Engine Tender

