

**RAILKING**<sup>®</sup>  
By M.T.H. Electric Trains

# N&W J

( Bantam )

30-4036-1a

30-4036-0a



REV.011601



# N&W J Steam Engine

## Engine Parts

Name and Number	Part #	\$Price Per Unit	Name and Number	Part #	\$Price Per Unit
1.) Shell ( Tuscan, gold, black ) ( boiler )( metal )( N&W )( #612 )	FB-1200179	*100.00	37.) Screw ( 6/32x6.0mm )( roundhead )	IA-0000027	0.15
2.) Screw ( 4/40x6.0mm )( roundhead )	IA-0000003	0.15	38.) PCB ( 10 pin )( female )	AG-0000039	8.00
3.) Bell ( nickel )	FB-1200002	4.00	39.) Pin ( 5.0x25.3mm ) ( 1.5x8.0mm flathead )( 2 e-clip grooves )	IG-0000033	0.50
4.) Side panel ( right ) ( Tuscan w/ gold trim )( #612 )	FB-1210036	*15.00	40.) Draw bar ( 92.5x10.0mm )	FB-1200181	3.00
5.) Side panel ( left ) ( Tuscan w/ gold trim )( #612 )	FB-1220043	*15.00	41.) Washer ( 5.5x10.0x0.5mm )	ID-0000075	0.15
6.) Handrail ( nickel ) ( right )( boiler )	FB-1210037	2.00	42.) E-clip ( 3.5x9.0x0.6mm )	IF-0000009	0.15
7.) Handrail ( nickel ) ( left )( boiler )	FB-1220044	2.00	43.) Spring ( conical ) ( 6.5x12.5x13.0mm )( 0.6mm thick wire )	IE-0000062	0.50
8.) Stanchions ( black )	FB-1200024	0.25	44.) Washer ( 5.5x15.0x1.0mm )	ID-0000095	0.15
9.) Boiler front ( Tuscan ) ( N&W "J" )( #612 )	FB-1200180	*12.00	45.) Truck ( black ) ( 2 axles )( trailing )( boiler )	DA-1240032	25.00
10.) Lens ( clear )( headlight )	FA-1230022	2.00	46.) Screw ( 6/32x6.0mm )( washer head )	IA-0000214	0.15
11.) Light reflector (black)(plastic)	CI-0000024	3.00	47.) Nut ( nickel ) ( 2.5x5.0x10.0mm )	IC-0000005	0.50
12.) Smoke unit ( Proto-Sound 2.0® )	AA-0000029	*50.00	48.) Insulator (pick-up)(bottom)	BD-0000001	2.00
13.) Bulb ( clear )( headlight ) ( 6V )( small globe )( screw base )	CA-0000038	1.00	49.) Pick-up ( 8.0x11.0mm roller )( 28.0mm long )	BD-0000048	5.00
14.) Bracket ( black ) ( headlight / smoke unit )( metal )	IH-0000085	3.00	50.) Crosshead guide assembly	EA-1200013	6.00
15.) Bolt ( nickel ) ( M3x8.0mm )( hex head )	IA-0000087	1.00	51.) Pin ( 3.0x15.0mm ) ( 1.3x6.0mm roundhead )( 1e-clip groove )	IG-0000003	0.50
16.) Crosshead ( nickel ) ( 38.8mm long )	EC-1250016	5.00	52.) Spring ( cylindrical ) ( 6.5x9.0mm )( 0.5mm thick )	IE-0000009	0.50
17.) Drive rod ( nickel ) ( 53.3mm long )	EC-1250022	5.00	53.) Bracket ( black )( lead truck )	IH-1230006	1.00
18.) Insulator washer ( white )	ID-0000033	0.15	( 32.0x7.0mm )( 2 bends, 2 holes )		
19.) Voltage regulator ( LM2937ET )	AG-0000032	3.00	54.) Screw ( 4/40x6.0mm )( washer head )	IA-0000028	0.15
20.) Insulator ( clear )	ID-0000024	0.15	55.) E-clip ( 2.5x6.0x0.5mm )	IF-0000004	0.15
21.) Side rod ( nickel ) ( 87.5x1.0mm )( 4 bolt holes )	EC-1250023	2.00	56.) Truck ( black ) ( lead )( 2 axle )( boiler )	DA-1230022	20.00
22.) Drive block ( black )( 4 axle )	DF-1200027	*75.00	57.) Spacer ( cup ) ( 3.5x15.0x2.5mm )	ID-0000014	1.00
23.) Screw ( nickel ) ( M3x6.0mm )( roundhead )	IA-0000015	0.15	58.) Traction tire	DE-0000022	0.75
24.) Insulator ( black ) ( top )( square )( pick-up )	BD-0000026	2.00	59.) Screw ( 6/32x8.0mm )( roundhead )	IA-0000050	0.15
25.) Screw ( M2x4.0mm )( roundhead )	IA-0000058	0.15	NS.) Wire harness ( 10 pin female PC Board )	BC-1200013	15.00
26.) Screw ( 4/40x14.0mm )( roundhead )	IA-0000122	0.15	NS.) Wire harness ( 7 pin male plug )	BC-1200014	8.00
27.) Switch ( small )	BB-0000009	5.00	NS.) Wire harness ( 5 pin male plug )	BC-1200015	5.00
28.) Bracket ( Aluminum ) ( for Proto-Sound 2.0® boards )	IH-0000170	3.00	NS.) Wire harness ( 4 pin male plug )	BC-1200016	4.00
29.) Boards (Proto-Sound 2.0®)	AE-0000001	*200.00	NS.) Wire harness ( single metal eyelet mounted on 70.0mm long red wire )	BC-1200024	2.00
30.) Screw ( yellow zinc ) ( M2.5x6.0mm )( roundhead w/lock washer )	IA-0000089	0.15	NS.) Wire harness ( single metal eyelet mounted on 70.0mm long black wire )	BC-1200025	2.00
31.) Motor mount ( black )	BI-0000034	15.00	NS.) Wire harness ( two metal eyelets connected together by a 40.0mm red wire )	BC-1200026	2.00
32.) Screw ( 6/32x10.0mm )( roundhead )	IA-0000040	0.15	NS.) Insulator ( sleeve )( black )	BD-0000068	1.00
33.) Wire nut ( yellow )	BI-4500003	0.25	NS.) Screw ( 4/40x4.0mm ) ( roundhead )	IA-0000021	0.15
34.) Tach board	AG-0000033	6.00	( used to seal grease hole in drive shaft cavity )		
35.) Motor ( RS-365SH ) ( 8.0x21.0mm worm gear )( 13.0mm long threads ) ( 9.0x30.0mm flywheel )( w/ tach board mounting strap )	BE-0000076	25.00	NS.) Washer ( fiber )( black )	ID-0000040	0.15
36.) Tach tape ( fits 30.0mm flywheel )( 1.96mm wide stripes ) ( black & white striped tape )	BE-0000069	1.00			

\*Requires Exchange  
All parts are priced as each



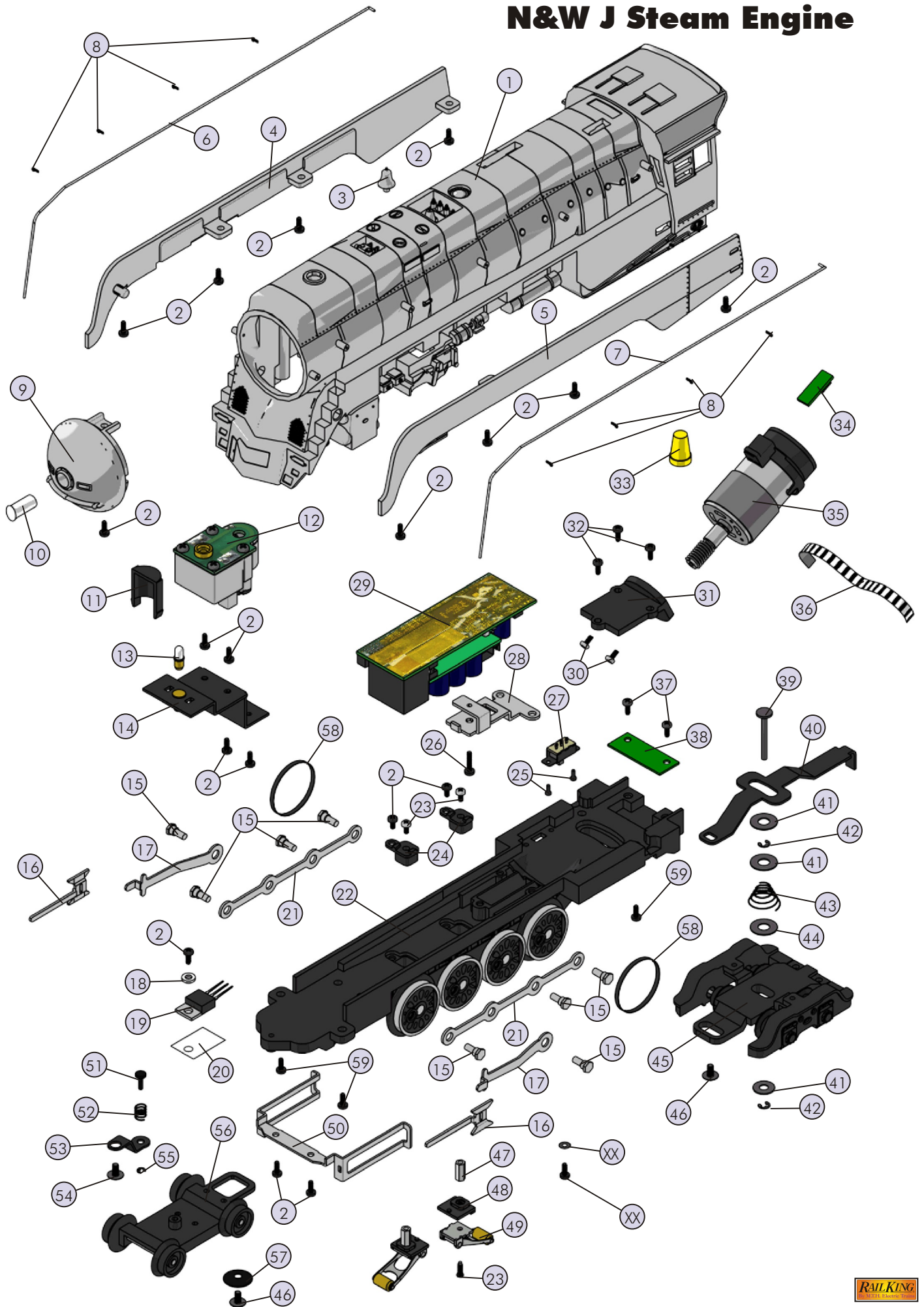
Name and Number                      Part #                      \$Price Per Unit

**Loco- Sound® Parts**

18.) Insulator washer ( white )	ID-0000033	0.15
20.) Insulator ( clear )	ID-0000024	0.15
26.) Screw ( 4/40x8.0mm )	IA-0000011	0.15
( roundhead )( for mounting board to bracket )		
28.) Bracket ( Aluminum )	IH-0000171	3.00
( for Loco-Sound® boards )		
29.) Boards ( Loco-Sound® )	AE-0000003	*100.00
NS.) Wire harness	BC-1200012	15.00
( 10 pin green female PC Board )		
NS. Wire harness	BC-1200018	5.00
( 5 pin male plug )		
NS.) Ferrite bead ( grey )	AI-0000030	2.00
( 4.6x9.7x9.4mm )( barrel shape )		
NS.) Capacitor ( blue )( .01 uF )	AI-0000031	2.00
( 16.0x2.0mm )( 2 wire leads )		

\*Requires Exchange  
All parts are priced as each

# N&W J Steam Engine



# N&W J Steam Engine Tender

## Tender Parts

Name and Number	Part #	\$Price Per Unit
1.) Shell ( Tuscan, gold, black ) ( tender )( Norfolk and Western )( plastic )	GA-1200067	*40.00
2.) Screw ( M3x6.0mm )( roundhead )	IA-0000016	0.15
3.) Wire harness ( 10 pin male plug )( 275.0mm long wires ) ( 1 white female 2 pin plug ) ( 1 black female 2 pin plug )( battery lead plug )	BC-1200010	12.00
4.) Battery	BG-4000001	9.95
5.) Speaker cone ( black ) ( 44.0x48.3x23.0mm )( plastic ) ( 2 screw hole tabs )	BF-0000016	5.00
6.) Wire nut ( yellow )	BI-4500003	0.25
7.) Screw ( M3x8.0mm )( roundhead )	IA-0000035	0.15
8.) Speaker ( Cuistack ) ( GF0501 )( 16 ohms )( 0.25 watt )	BF-0000007	8.95
9.) Bracket ( battery )	IH-0000042	3.00
10.) Spacer ( black ) ( 3.0x6.0x4.0mm )( plastic )	ID-0000071	0.15
11.) Volume pot ( small )( blue )	BI-0000040	5.00
12.) Chassis ( black )( tender )	GB-1200038	*15.00
13.) Draw bar ( 1 step, 2 bends ) ( 60.7x10.0x1.2mm ) ( 2 large holes, 1 small hole )	GA-1200027	3.00
14.) Screw ( 4/40x6.0mm )( washer head )	IA-0000028	0.15
15.) Screw ( M3x15.0mm )( washer head )( self-drilling )	IA-0000262	0.15
16.) Screw ( 6/32x6.0mm )( washer head )	IA-0000214	0.15
17.) Truck ( black ) ( 3 axle )( leading/trailing )( tender )	DA-1250005	25.00
18.) Screw ( 4/40x6.0mm )( roundhead )	IA-0000003	0.15
19.) Ground strap ( copper )	II-0000005	0.15
20.) T-bar	IG-0000001	0.50
21.) Coupler (Proto Sound 2.0®) ( 51.0mm long )	DD-0000032	10.00
22.) Spring ( 6.5x14.0mm )( 0.5 thick wire )	IE-0000022	0.50
23.) Washer ( 4.5x10.0x5.0mm )	ID-0000009	0.15
24.) E-clip ( 3.0x8.0x0.5mm )	IF-0000001	0.15
25.) Gasket ( black ) ( speaker ring )( 43.8x49.8x3.0mm )( foam )	IB-0000009	0.50
NS.) Axle bearing ( black ) ( 3 axle )( plastic )	DC-0000005	3.00
NS.) Wire harness ( 2 pin white male plug )	BC-1200022	2.00
NS.) Wire harness ( 2 pin black male plug ) ( wires connect to PS 2.0 coupler )	BC-1200023	2.00

## Tender Parts

Name and Number	Part #	\$Price Per Unit
23.) Washer ( black )( plastic ) ( 4.6x8.5x0.5mm )( cup shaped for spring to fit in )	ID-0000060	0.15
NS.) Coupler ( mechanical )( 51.0mm )	DD-0000011	3.00
NS.) Armature ( 45.0mm long )	DD-4000007	1.00
NS.) Weight ( Aluminum ) ( 40.0x34.5x20.0mm )( 158 grams )	II-0000013	4.00
NS.) Wire harness ( 2 pin white male plug )	BC-1200022	2.00

\*Requires Exchange  
All parts are priced as each

## Loco- Sound® Parts

3.) Wire harness ( 10 pin male plug )	BC-1200011	12.00
8.) Speaker ( Cuistack ) ( GFO501 )( 8 ohms, 0.25 watts )	BF-0000015	8.95
12.) Chassis ( black )( tender )	GB-1200037	*15.00
22.) Spring ( 6.5x11.0mm )( 0.5mm thick wire )	IE-0000009	0.50



# N&W J Steam Engine Tender

