

RAILKING[®]
By M.T.H. Electric Trains

Madison Car set

30-6210



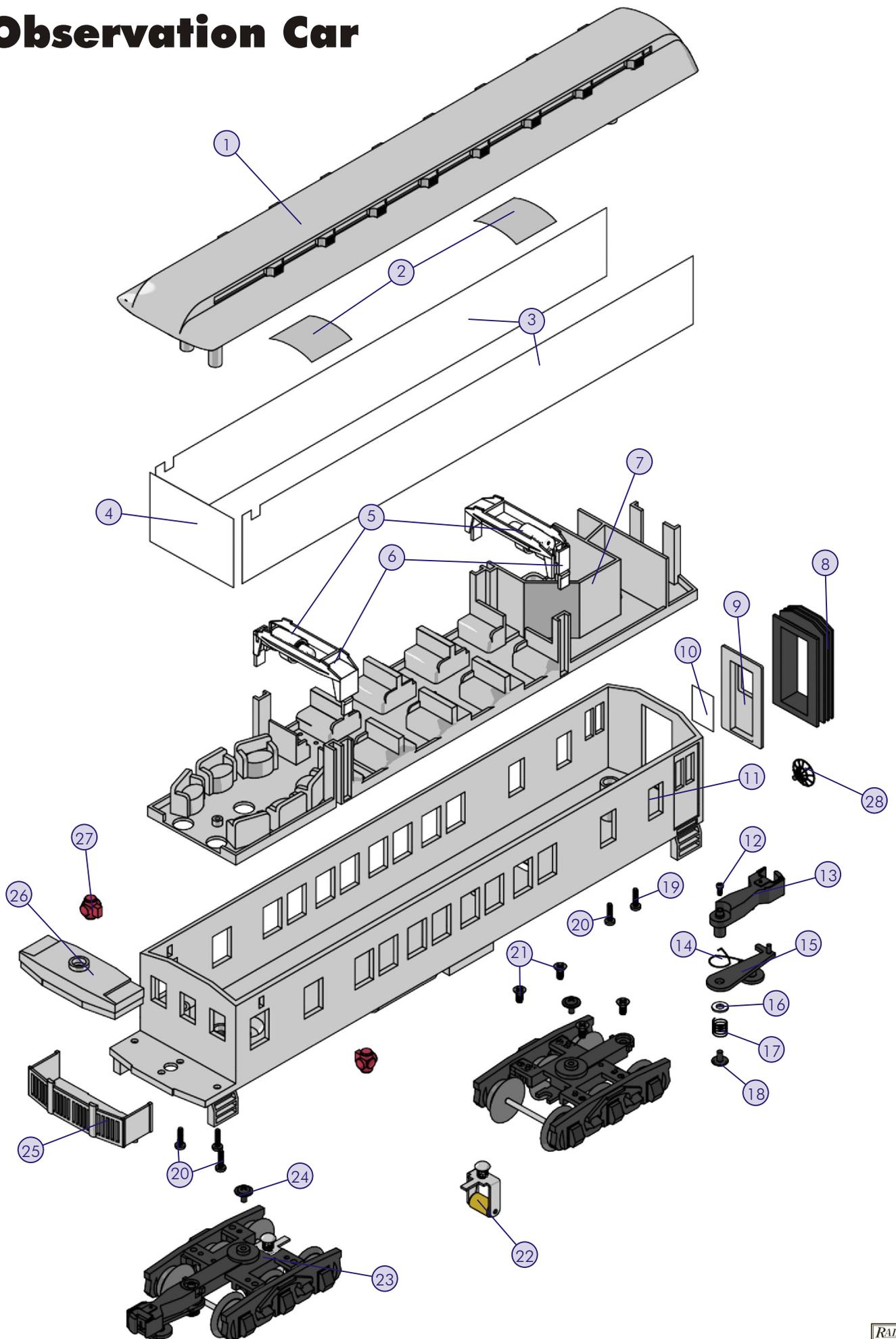
Observation Car

Parts

Name and Number	Part #	\$Price Per Unit	Name and Number	Part #	\$Price Per Unit
1.) Roof (black)	GC-0200001	10.00	21.) Screw (M2.5x6.0mm)(flathead)	IA-0000178	0.15
1.) Roof (silver)	GC-0200002	10.00	22.) Pick-up	BD-0000062	5.00
2.) Reflective tape	CI-0000023	1.00	23.) Truck (black)	DA-0200011	10.00
3.) Window (side)	FA-0200015	2.00	23.) Truck (silver)	DA-0200012	10.00
4.) Window (rear)	FA-0200016	1.00	24.) Screw (M3x5.0mm)(washer head)	IA-0000268	0.15
5.) Bulb (18V) (grain of wheat)(for cars)	CG-0000017	1.00	25.) Railing (black)	GC-0200026	6.00
6.) Light holder	CH-0000017	2.00	26.) Awning (black)	GC-0200027	6.00
7.) Interior detail	GC-0200003	10.00	27.) Lens (red)	FA-0200017	1.00
8.) Diaphragm	FI-0000027	2.00	28.) Brake wheel	GD-0200058	2.00
9.) Door (black)	GD-0200011	3.00			
9.) Door (silver)	GD-0200013	3.00			
9.) Door (blue)(Wabash)	GC-0200004	3.00			
9.) Door (blue)(T&P)	GC-0200005	3.00			
9.) Door (red)(PRR)	GC-0200006	3.00			
9.) Door (dark gray)(NYC) (Maumee River)	GD-0200019	3.00			
9.) Door (green)(NYC) (# 745)	GC-0200007	3.00			
9.) Door (dark gray)(U.P)	GD-0200014	3.00			
9.) Door (dark green) (Southern Crescent)	GC-0200008	3.00			
9.) Door (gray)(C&O)	GC-0200009	3.00			
9.) Door (blue)(C&O)	GC-0200010	3.00			
10.) Window (door)	FA-0200005	1.00			
11.) Shell (PRR)(# 6905)	GC-0200011	*15.00			
11.) Shell (PRR)(# 180)	GC-0200012	*15.00			
11.) Shell (DRG) (Granite Canon)	GC-0200013	*15.00			
11.) Shell (NYC) (Maumee River)	GC-0200014	*15.00			
11.) Shell (NYC)(# 745)	GC-0200015	*15.00			
11.) Shell (Wabash) (Windy City, # 6)	GC-0200016	*15.00			
11.) Shell (JC)(Monmouth)	GC-0200017	*15.00			
11.) Shell (Reading)(# 10)	GC-0200018	*15.00			
11.) Shell (U.P)(# 1548)	GC-0200019	*15.00			
11.) Shell (Southern Crescent) (Joel Chandler Harris)	GC-0200020	*15.00			
11.) Shell (NKP)(# 130)	GC-0200021	*15.00			
11.) Shell (C&O)(Elk Lake) (# 1803)	GC-0200022	*15.00			
11.) Shell (C&O)(# 2)	GC-0200023	*15.00			
11.) Shell (Santa Fe)(# 821)	GC-0200024	*15.00			
11.) Shell (T&P)(# 1314)	GC-0200025	*15.00			
12.) Screw (M2x4.0mm)(washer head)	IA-0000080	0.15			
13.) Coupler	DD-0000027	3.00			
14.) Spring (centering)	IE-0000036	0.50			
15.) Armature	DD-0000028	1.00			
16.) Insulator washer (5.0X10.0X0.3mm)	ID-0000065	0.15			
17.) Spring (6.0X8.0mm)(w/ 0.4mm thick wire)	IE-0000035	0.50			
18.) Screw (M3x5.0mm w/8.0mm washer)	IA-0000268	0.15			
19.) Screw (M2.6x5.0mm w/plastic cutting threads)	IA-0000207	0.15			
20.) Screw (M3x8.0mm w/plastic cutting threads)	IA-0000204	0.15			

*Requires Exchange

Observation Car



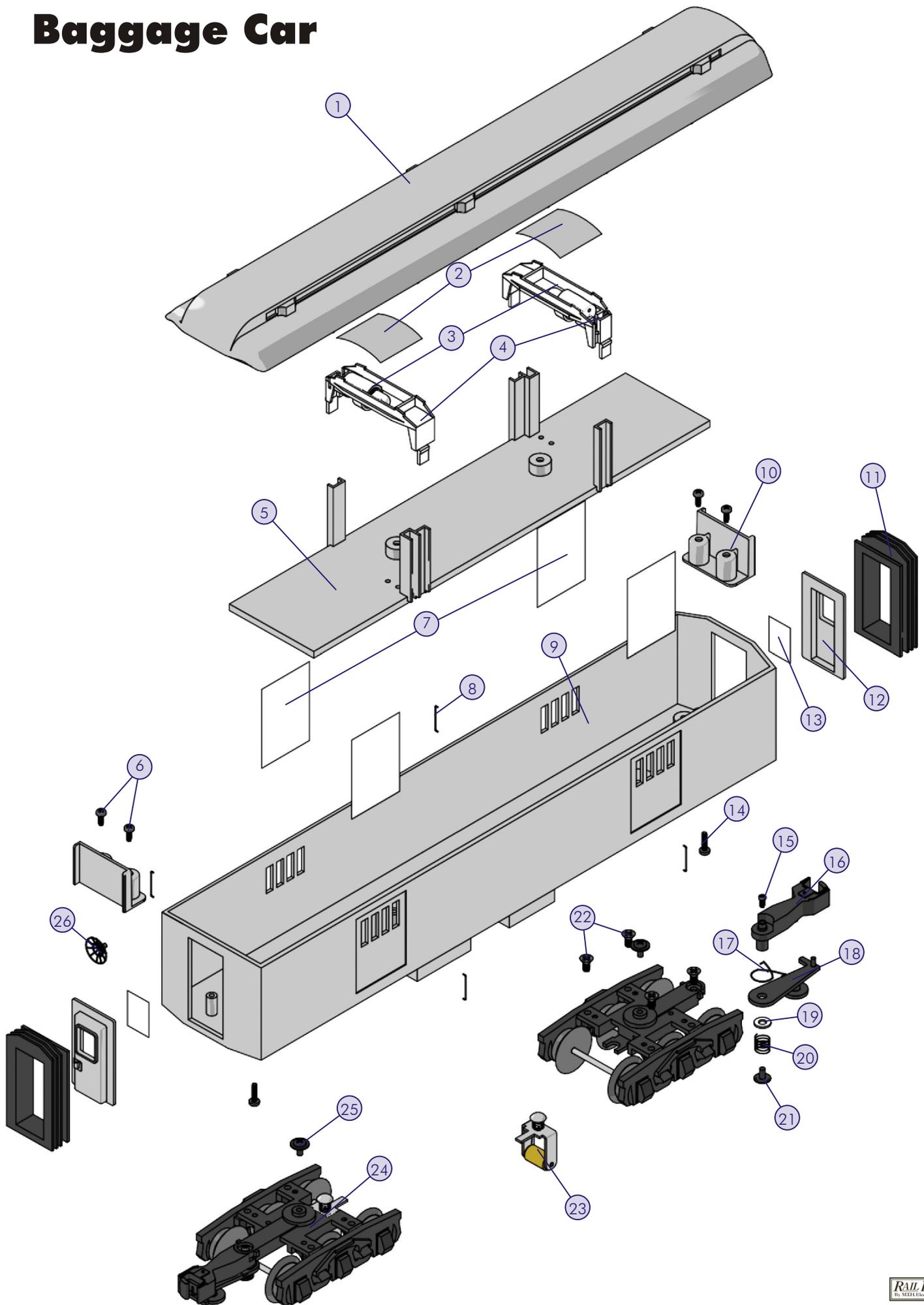
Baggage Car

Parts

Name and Number	Part #	\$Price Per Unit	Name and Number	Part #	\$Price Per Unit
1.) Roof (black)	GC-0200075	10.00	24.) Truck (black)	DA-0200011	10.00
1.) Roof (silver)	GC-0200076	10.00	24.) Truck (silver)	DA-0200012	10.00
2.) Reflective tape	CI-0000023	1.00	25.) Screw	IA-0000268	0.15
3.) Bulb	CG-0000017	1.00	(M3X5.0mm)(washer head)		
4.) Light holder	CH-0000017	2.00	26.) Brake wheel	GD-0200058	2.00
5.) Interior detail	GC-0200028	10.00			
6.) Screw (M2.6x5.0mm)	IA-0000207	0.15			
(roundhead)(plastic cutting threads)					
7.) Window (baggage door)	FA-0200018	2.00			
8.) Handrail	GD-0200074	1.00			
9.) Shell (PRR)(# 5735)	GC-0200029	*15.00			
9.) Shell (PRR)(# 9055)	GC-0200030	*15.00			
9.) Shell (DRG)(# 711)	GC-0200031	*15.00			
9.) Shell (NYC)(# 8986)	GC-0200032	*15.00			
9.) Shell (NYC)(Utica)	GC-0200033	*15.00			
9.) Shell (Wabash)(# 336)	GC-0200034	*15.00			
9.) Shell (JC)(# 210)	GC-0200035	*15.00			
9.) Shell (Reading)(# 1715)	GC-0200036	*15.00			
9.) Shell (U.P.)(# 1735)	GC-0200037	*15.00			
9.) Shell (Southern Crescent)	GC-0200038	*15.00			
(# 0200)					
9.) Shell (NKP)(# 349)	GC-0200039	*15.00			
9.) Shell (C&O)(# 310)	GC-0200040	*15.00			
9.) Shell (C&O)(# 60)	GC-0200041	*15.00			
9.) Shell (Santa Fe)(# 134)	GC-0200042	*15.00			
9.) Shell (T&P)(# 910)	GC-0200043	*15.00			
10.) Interior detail	GD-0200073	3.00			
11.) Diaphragm	FI-0000027	2.00			
12.) Door (black)	GD-0200011	3.00			
12.) Door (silver)	GD-0200013	3.00			
12.) Door (blue)(Wabash)	GC-0200004	3.00			
12.) Door (blue)(T&P)	GC-0200005	3.00			
12.) Door (red)(PRR)	GC-0200006	3.00			
12.) Door (dark gray)(NYC)	GD-0200019	3.00			
(# 8986)					
12.) Door (green)(NYC)	GC-0200007	3.00			
(Utica)					
12.) Door (dark gray)(U.P.)	GD-0200014	3.00			
12.) Door (dark green)	GC-0200008	3.00			
(Southern Crescent)					
12.) Door (gray)(C&O)	GC-0200009	3.00			
12.) Door (blue)(C&O)	GC-0200010	3.00			
13.) Window (door)	FA-0200005	1.00			
14.) Screw	IA-0000204	0.15			
(M3X8.0mm w/ plastic cutting threads)(roundhead)					
15.) Screw	IA-0000080	0.15			
(M2X4.0mm)(washer head)					
16.) Coupler	DD-0000027	3.00			
17.) Spring (centering)	IE-0000036	0.50			
18.) Armature	DD-0000028	1.00			
19.) Insulator washer	ID-0000065	0.15			
(5.0X10.0X0.3mm)					
20.) Spring	IE-0000035	0.50			
(6.0X8.0mm)(w/ 0.4mm thick wire)					
21.) Screw	IA-0000268	0.15			
(M3X5.0mm)(washer head)					
22.) Screw	IA-0000178	0.15			
(M2.5X6.0mm)(flathead)					
23.) Pick-up roller	BD-0000062	5.00			

*Requires Exchange

Baggage Car



Coach Car

Parts

Name and Number	Part #	\$Price Per Unit	Name and Number	Part #	\$Price Per Unit
1.) Roof (black)	GC-0200077	10.00	12.) Coupler	DD-0000027	3.00
1.) Roof (silver)	GC-0200078	10.00	13.) Spring (centering)	IE-0000036	0.50
2.) Reflective tape	CI-0000023	1.00	14.) Armature	DD-0000028	1.00
3.) Bulb	CG-0000017	1.00	15.) Insulator washer	ID-0000065	0.15
(18V)(grain of wheat)			(5.0X10.0X0.3mm)		
4.) Light holder	CH-0000017	2.00	16.) Spring	IE-0000035	0.50
5.) Interior detail	GC-0200044	10.00	(6.0X8.0mm)(w/ 0.4mm thick wire)		
6.) Window (side)	FA-0200019	2.00	17.) Screw	IA-0000268	0.15
7.) Shell (PRR)(# 3466)	GC-0200045	*15.00	(M3X5.0mm)(washer head)		
7.) Shell (PRR)(# 4363)	GC-0200046	*15.00	18.) Screw	IA-0000207	0.15
7.) Shell (PRR)(# 1048)	GC-0200047	*15.00	(M2.6X5.0mm)(w/ plastic cutting threads)(roundhead)		
7.) Shell (DRG)(# 1021)	GC-0200048	*15.00	19.) Screw	IA-0000204	0.15
7.) Shell (DRG)(# 1011)	GC-0200049	*15.00	(M3X8.0mm)(w/ plastic cutting threads)(roundhead)		
7.) Shell (DRG)(# 1013)	GC-0200050	*15.00	20.) Screw	IA-0000178	0.15
7.) Shell (NYC)(Park Trail)	GC-0200051	*15.00	(M2.5X6.0mm)(flathead)		
7.) Shell (NYC)(# 943)	GC-0200052	*15.00	21.) Pick-up	BD-0000062	5.00
7.) Shell (NYC)(# 1017)	GC-0200053	*15.00	22.) Truck (black)	DA-0200011	10.00
7.) Shell (NYC)	GC-0200054	*15.00	22.) Truck (silver)	DA-0200012	10.00
(Wappingers Falls)			23.) Screw	IA-0000268	0.15
7.) Shell (NYC)(Rochester)	GC-0200055	*15.00	(M3X5.0mm) (washer head)		
7.) Shell (NYC)(Syracuse)	GC-0200056	*15.00	24.) Brake wheel	GD-0200058	2.00
7.) Shell (Wabash)(1227)	GC-0200057	*15.00			
(City of Kansas City)					
7.) Shell (Wabash)(# 1222)	GC-0200058	*15.00			
(City of Columbia)					
7.) Shell (JC)(# 93)	GC-0200059	*15.00			
7.) Shell (Reading)(# 1509)	GC-0200060	*15.00			
7.) Shell (Reading)(# 1505)	GC-0200061	*15.00			
7.) Shell (U.P.)(# 418)	GC-0200062	*15.00			
7.) Shell (U.P.)(# 405)	GC-0200063	*15.00			
7.) Shell (Southern Crescent)	GC-0200064	*15.00			
(Robert F. Hoke)					
7.) Shell (Southern Crescent)	GC-0200065	*15.00			
(Henry W. Grady)					
7.) Shell (NKP)(# 101)	GC-0200066	*15.00			
7.) Shell (C&O)(# 1626)	GC-0200067	*15.00			
7.) Shell (C&O)(# 1649)	GC-0200068	*15.00			
7.) Shell (C&O)(# 709)	GC-0200069	*15.00			
7.) Shell (C&O)(# 711)	GC-0200070	*15.00			
7.) Shell (Santa Fe)(# 1214)	GC-0200071	*15.00			
7.) Shell (Santa Fe)(# 1216)	GC-0200072	*15.00			
7.) Shell (T&P)(# 1307)	GC-0200073	*15.00			
7.) Shell (T&P)(# 1302)	GC-0200074	*15.00			
8.) Window (door)	FA-0200005	1.00			
9.) Door (black)	GD-0200011	3.00			
9.) Door (silver)	GD-0200013	3.00			
9.) Door (blue)(Wabash)	GC-0200004	3.00			
9.) Door (blue)(T&P)	GC-0200005	3.00			
9.) Door (red)(PRR)	GC-0200006	3.00			
9.) Door (dark gray)(NYC)	GD-0200019	3.00			
9.) Door (green)(NYC)	GC-0200007	3.00			
9.) Door (dark gray)(U.P.)	GD-0200014	3.00			
9.) Door (dark green)	GC-0200008	3.00			
(Southern Crescent)					
9.) Door (gray)(C&O)	GC-0200009	3.00			
9.) Door (blue)(C&O)	GC-0200010	3.00			
10.) Diaphragm	FI-0000027	2.00			
11.) Screw	IA-0000080	0.15			
(M2X4.0mm)(washer head)					

*Requires Exchange

Coach Car

