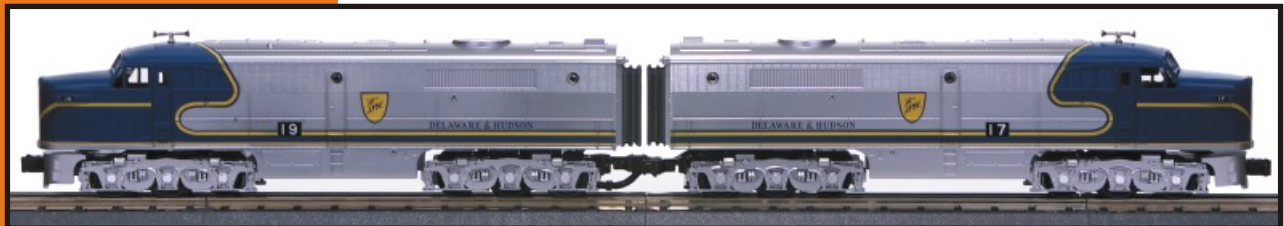


RAILKING[®]
By M.T.H. Electric Trains

30-2125-1
30-2126-1

Alco PA AA Diesel Set



GL091301



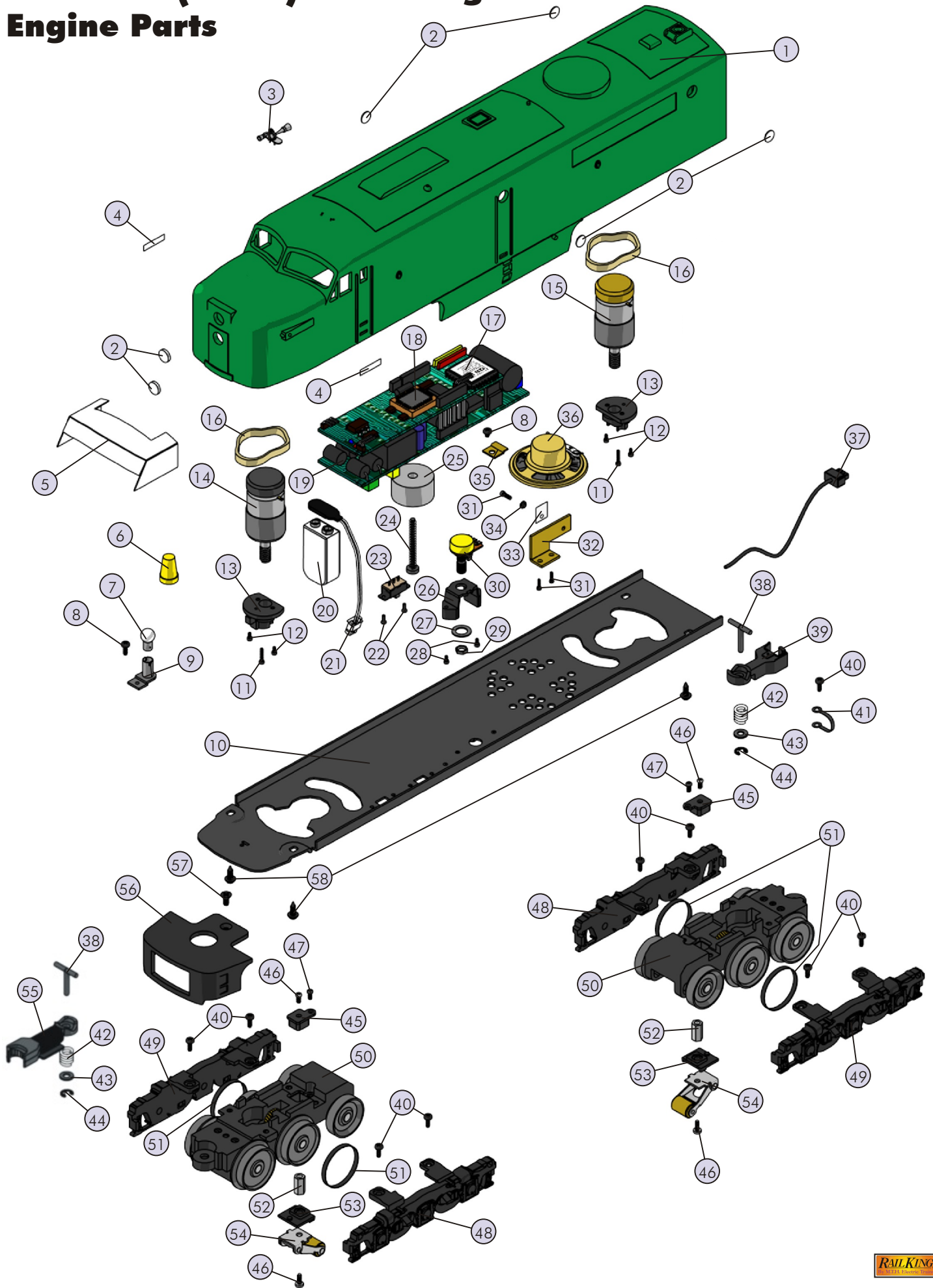
PA A Unit (lead) Diesel Engine

Engine Parts

Name and Number	Part #	\$Price Per Unit	Name and Number	Part #	\$Price Per Unit
1.) Shell (blue, yellow, silver) (A unit)(Delaware & Hudson)(# 17)	FC-2200280	*85.00	36.) Speaker (Star, PR-05004-08)(8 ohms)(0.2 watt)	BF-4500008	8.95
Shell (orange, black, silver) (A unit)(Rio Grande)(# 6012)	FC-2200281	*85.00	37.) Wire harness (black male flat 4 pin plug) (300.0mm long wires w/ blue male flat 4 pin plug)	BC-2200038	8.00
2.) Lens (clear)(portal/headlight)	FA-0000092	2.00	38.) T-bar (black) (4.0x20.0mm)(plastic)	IG-0000001	0.50
3.) Air horns (nickel)(2 chime)	FC-2200254	3.00	39.) Coupler (black) (non-operating)(34.5mm long)(T-bar mounting)	DD-4000005	3.00
4.) Number board (# 17) (black background w/ white letters)(D & H)(# 17)	FG-2200049	0.50	40.) Screw (M3x6.0mm)(roundhead)	IA-0000016	0.15
Number board (# 6012) (black background w/ white letters)(D&RG)(# 6012)	FG-2200050	0.50	41.) Wire strap (black)(metal)(small)	IH-0000012	1.00
5.) Windows (clear)	FA-2230019	5.00	42.) Spring (nickel) (6.5x14.0mm)(w/ 0.5 mm thick wire)	IE-0000022	0.50
6.) Wire nut (yellow)	BI-4500003	0.25	43.) Washer (4.5x10.0x0.6mm)	ID-0000041	0.15
7.) Bulb (clear) (18v)(small globe)(bayonet base)	CG-0000002	1.00	44.) E-clip (3.0x8.0x0.5mm)	IF-0000002	0.15
8.) Screw (M2.5x3.0mm)(roundhead)	IA-0000022	0.15	45.) Insulator (black) (top)(square)(pick-up)	BD-0000026	2.00
9.) Socket (nickel) (for bayonet base bulbs)	CH-0000005	3.00	46.) Screw (nickel) (M3x6.0mm)(roundhead)	IA-0000015	0.15
10.) Chassis (black)(powered A unit)	DH-2200061	*15.00	47.) Screw (M2.5x5.0mm)(roundhead)	IA-0000044	0.15
11.) Screw (M3x14.0mm)(roundhead)(w/ lock washer)	IA-0000012	0.15	48.) Truck side (silver) (right rear/left front)(for 3 axle truck) (Delaware & Hudson)(# 19)(# 17) (Rio Grande)(# 6011)(# 6003)	DB-2200015	9.00
12.) Screw (yellow Zinc) (M2.5x6.0mm)(roundhead)(w/ lock washer)	IA-0000001	0.15	49.) Truck side (silver) (left rear/right front)(for 3 axle truck) (Delaware & Hudson)(# 19)(# 17) (Rio Grande)(# 6011)(# 6003)	DB-2200016	9.00
13.) Motor mount (black) (for RK 3 axle truck)	BI-0000029	15.00	50.) Truck (black) (powered)(3 axle)(single screw pilot mount) (Delaware & Hudson)(# 19)(# 17) (Rio Grande)(# 6011)(# 6003)	DA-2050015	*35.00
14.) Motor (RS-365SH) (7.9x24.0mm worm gear w/ 13.0mm long threads) (9.0x30.0mm black tapered flywheel)	BE-0000094	25.00	51.) Traction tire	DE-0000018	0.75
15.) Motor (RS-365SH) (7.9x24.0mm worm gear w/ 13.0mm long threads) (9.0x30.0mm brass tapered flywheel)	BE-0000095	25.00	52.) Nut (nickel)(2.5x5.0x7.0mm)	IC-0000008	0.50
16.) Rubber band	BI-4500004	0.50	53.) Insulator (black) (pick-up)(bottom)(square)(flat)	BD-0000006	2.00
17.) Board (Proto-Sound®)(top)	AE-4500001	*100.00	54.) Pick-up (8.0x11.0mm roller)(24.0mm long)	BD-0000013	5.00
18.) Proto-Sound® chip	N/A	19.95	55.) Proto-Coupler® (black) (44.5mm long)	DD-0000004	10.00
19.) Battery (Proto-Sound®)(bottom)	AD-4500001	*60.00	56.) Pilot (silver) (single screw hole for mounting pilot) (Delaware & Hudson)(# 19)(# 17) (Rio Grande)(# 6011)(# 6003)	DG-2230017	15.00
20.) Battery	BG-4000001	10.00	57.) Screw (M3x6.0mm)(flathead)	IA-0000073	0.15
21.) Battery leads (145.0mm long wires w/ white male 2 pin plug)	BC-4000009	3.00	58.) Screw (M3x14.0mm)(washer head)(self-drilling)	IA-0000069	0.15
22.) Screw (M2x4.0mm)(roundhead)	IA-0000058	0.15			
23.) Switch (large)	BB-0000006	5.00			
24.) Screw (4/40x30.0mm)(roundhead)	IA-0000191	0.15			
25.) Heat sink (Aluminum) (3.0x20.0x16.0mm)	AI-0000035	2.00			
26.) Bracket (volume pot)	IH-0000023	2.00			
27.) Washer (7.0x12.0x0.5mm)	ID-0000034	0.15			
28.) Screw (M3x8.0mm)(roundhead)(self-drilling)	IA-0000072	0.15			
29.) Nut (nickel) (6.0x10.0x2.0mm)(for volume pot)	IC-0000007	0.50			
30.) Volume pot (B10K SW)(w/ 85.0mm long wires)	BI-0000028	5.00			
31.) Screw (4/40x6.0mm)(roundhead)	IA-0000003	0.15			
32.) Bracket (brass) (Proto-Sound® board mounting)	IH-0000270	3.00			
33.) Insulator (clear) (13.0x19.0x0.1mm)(single hole)	ID-0000024	0.15			
34.) Insulator (white) (washer)(3.0x6.0x3.0mm)(plastic)	ID-0000025	0.15			
35.) Bracket (brass)(speaker) (9.0x9.5mm)(0.7mm thick)(3.0mm step)	IH-0000271	1.00			

*Requires Exchange
All parts are priced as each

PA A Unit (lead) Diesel Engine Engine Parts



PA A Unit (trailing) Diesel Engine

Engine Parts

Name and Number	Part #	\$Price Per Unit	Name and Number	Part #	\$Price Per Unit
1.) Shell (blue, yellow, silver) (A unit)(Delaware & Hudson)(# 19)	FC-2200278	*85.00	29.) Washer (4.5x10.0x0.6mm)	ID-0000041	0.15
Shell (orange, black, silver) (A unit)(Rio Grande)(# 6011)	FC-2200279	*85.00	30.) Spring (nickel) (6.5x14.0mm)(w/ 0.5 mm thick wire)	IE-0000022	0.50
2.) Lens (clear)(portal/headlight)	FA-0000092	2.00	31.) Proto-Coupler® (black) (44.5mm long)	DD-0000004	10.00
3.) Air horns (nickel)(2 chime)	FC-2200254	3.00	32.) T-bar (black) (4.0x20.0mm)(plastic)	IG-0000001	0.50
4.) Number board (# 19) (black background w/ white letters)(D & H)(# 19)	FG-2200047	0.50	33.) Pilot (silver) (single screw hole for mounting pilot) (Delaware & Hudson)(# 19)(# 17) (Rio Grande)(# 6011)(# 6003)	DG-2230017	15.00
Number board (# 6011) (black background w/ white letters)(D&RG)(# 6011)	FG-2200048	0.50	34.) Screw (M3x6.0mm)(flathead)	IA-0000073	0.15
5.) Windows (clear)	FA-2230019	5.00	35.) Screw (M3x14.0mm)(washer head)(self-drilling)	IA-0000069	0.15
6.) Bulb (clear) (18v)(small globe)(bayonet base)	CG-0000002	1.00	NS.) Wire harness (black) (black female 4 pin plug w/ 195.0mm long wires) (wires have black protective wire shield)	BC-2200037	3.00
7.) Screw (M2.5x3.0mm)(roundhead)	IA-0000022	0.15			
8.) Socket (nickel) (for bayonet base bulbs)	CH-0000005	3.00			
9.) Chassis (black) (non-powered A unit)	DH-2200060	*15.00			
10.) Bolt (black) (8/32x14.0mm)(6.0x6.5mm oversized shank) (1.8x10.0mm slotted head)	IA-0000331	1.00			
11.) Spring (nickel) (8.0x6.0mm)(w/ 0.7mm thick wire)	IE-0000054	0.50			
12.) Wire nut (yellow)	BI-4500003	0.25			
13.) Wire harness (vertical mount 4 pin PC board)(145.0mm long wires) (w/ black male 4 pin plug)	BC-2200036	8.00			
14.) Screw (M2x4.0mm)(roundhead)	IA-0000058	0.15			
15.) Coupler (black) (non-operating)(34.5mm long)(screw base mounting)	DD-4000008	3.00			
16.) Centering spring (nickel)	IE-0000027	0.50			
17.) Screw (M2.5x6.0mm)(washer head)	IA-0000108	0.15			
18.) Insulator (black) (top)(square)(pick-up)	BD-0000026	2.00			
19.) Screw (nickel) (M3x6.0mm)(roundhead)	IA-0000015	0.15			
20.) Screw (4/40x6.0mm)(roundhead)	IA-0000003	0.15			
21.) Screw (M3x6.0mm)(roundhead)	IA-0000016	0.15			
22.) Truck side (silver) (right rear/left front)(for 3 axle truck) (Delaware & Hudson)(# 19)(# 17) (Rio Grande)(# 6011)(# 6003)	DB-2200015	9.00			
23.) Truck side (silver) (left rear/right front)(for 3 axle truck) (Delaware & Hudson)(# 19)(# 17) (Rio Grande)(# 6011)(# 6003)	DB-2200016	9.00			
24.) Truck (black)(non-powered) (3 axle)(holes tapped for M3 screws for truck sides) (2 tapped holes under coupler mount for PC board) (Delaware & Hudson)(# 19)(# 17) (Rio Grande)(# 6011)(# 6003)	DA-2000018	*35.00			
25.) Nut (nickel)(2.5x5.0x7.0mm)	IC-0000008	0.50			
26.) Insulator (black) (pick-up)(bottom)(square)(flat)	BD-0000006	2.00			
27.) Pick-up (8.0x11.0mm roller)(24.0mm long)	BD-0000013	5.00			
28.) E-clip (3.0x8.0x0.5mm)	IF-0000002	0.15			

*Requires Exchange
All parts are priced as each

PA A Unit Diesel Engine (trailing) Engine Parts

