



Amtrak Superliner Passenger Cars

20-6537



Amtrak Superliner Passenger Cars

Sightseer Lounge

NameandNumber	Part#	PricePerUnit
1.) Shell(Amtrak,#33046)	GE-0100001	*30.00
2.) Handrail(14.0mmlong)	GE-0100002	1.00
3.) Diaphragm(black)	FI-0000011	2.00
4.) Handrail(6.0mmlong)	GE-0100003	1.00
5.) Screw (M3x16.0mm)(washerhead,self-drilling)	IA-0000025	0.15
6.) Windows	FA-0100004	5.00
7.) Socket(bulb) (forpart#CH-0000006)	CH-0000007	1.00
8.) Bulbbase (fitspart#CH-0000007)	CH-0000006	0.50
9.) Bulb(18v)(grainofwheat)	CG-0000008	1.00
10.) Contactspringbase	BH-0000001	2.00
11.) Contactsprings	IE-0000015	0.50
12.) Screw (M3x6.0mm)(washerhead,self-drilling)	IA-0000070	0.15
13.) Bulbguide(16 1/2"long)	CH-0000009	10.00
14.) Interior detail(top)	GE-0100004	*15.00
15.) Screw (M3x14.0mm)(roundhead,self-drilling)	IA-0000069	0.15
16.) Screw (M3x14.0mm)(roundhead,self-drilling)	IA-0000069	0.15
17.) Bulbguide(81/2"long)	CH-0000010	8.00
18.) Interior detail(bottom)	GE-0100005	*10.00
19.) Frame	GB-0100003	*10.00
20.) Undercarriagedetail	GE-0100006	*10.00
21.) Screw (4/40x4.0mm)(roundhead)	IA-0000021	0.15
22.) Contactspringboard	BH-0000011	2.00
23.) T-bar	IG-0000001	0.50
24.) Coupler(44.0mmlong)	DD-0000003	3.00
25.) Couplerarmature (37.7mmlong)	DD-0000002	1.00
26.) Spring(6.5x11.0mm)	IE-0000007	0.50
27.) E-clip(3.0x8.0x0.5mm)	IF-0000002	0.15
29.) Insulatorwasher (5.0x9.0x0.2mm)	ID-0000029	0.15
30.) Screw (M3x6.0mm)(nickel)(roundhead)	IA-0000015	0.15
31.) Pick-up (8.0mmroller)(24.0mmlong)	BD-0000040	5.00
32.) Insulator (pick-up)(bottom)(flat)	BD-0000041	2.00
33.) Nut(2.5x5.0x7.0mm)	IC-0000008	0.50
34.) Screw (4/40x6.0mm)(roundhead)	IA-0000003	0.15
35.) Screw (4/40x6.0mm)(washerhead)	IA-0000028	0.15
36.) Truck(2axle,black)	DA-0100003	20.00
37.) Insulator(pick-up)(top)	BD-0000014	2.00
38.) Screw (4/40x6.0mm)(roundhead)	IA-0000003	0.15
39.) Screw (M3x6.0mm)(nickel)(self-drilling)(roundhead)	IA-0000015	0.15
40.) Screw (M2.6x6.0mm)(yellowZink,roundhead,self-drilling)	IA-0000032	0.15
41.) DecopartA	GE-0100007	*3.00
42.) Bolt (M3x23.0mm)(w/5.0x17.0mmoversized shank)	IA-0000071	1.00
43.) Spring(6.5x12.0mm)	IE-0000018	0.50
44.) Doorwindowlens	FA-0100005	1.00

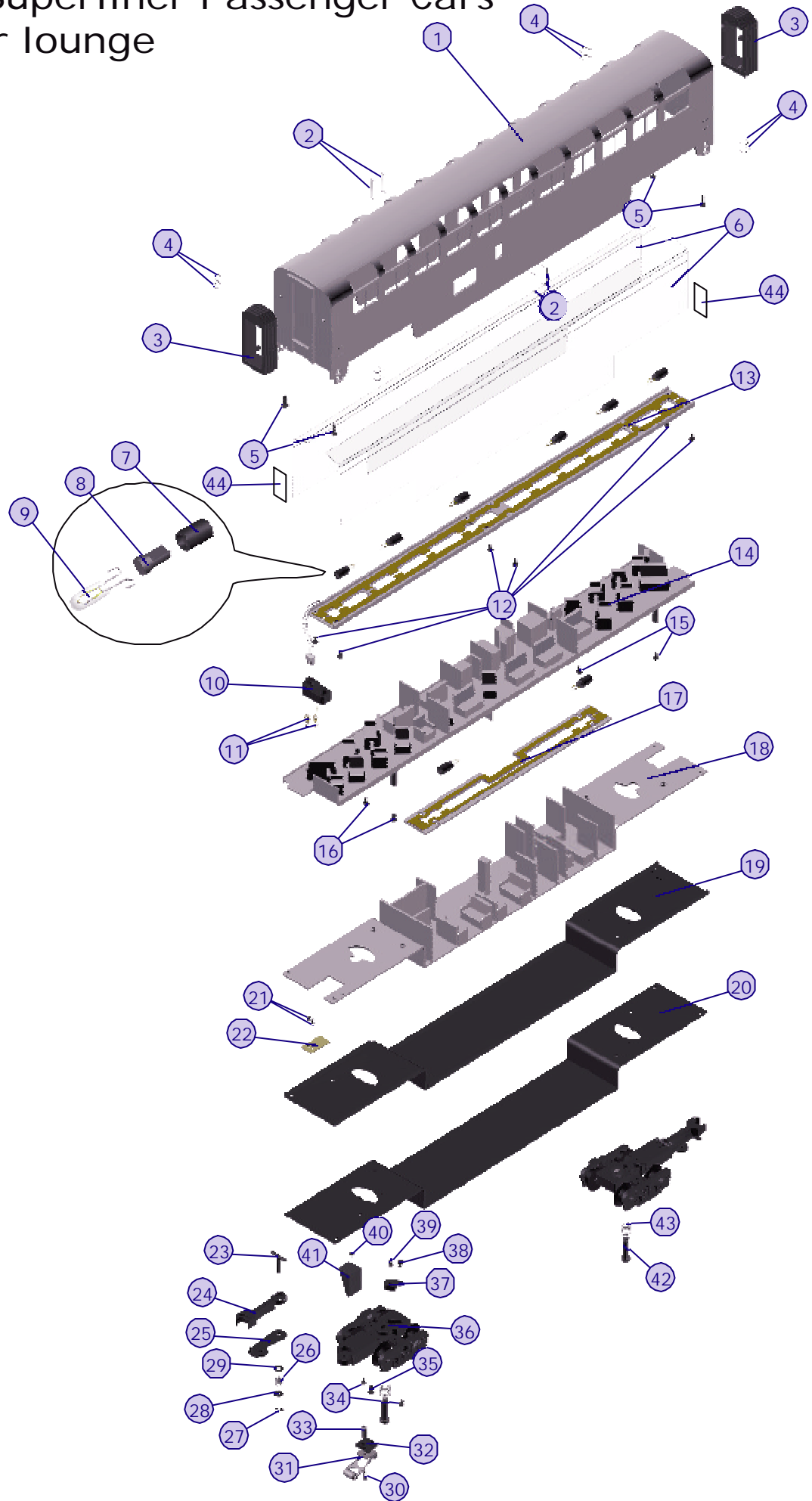
*RequiresExchange
Allpartsarepricedaseach

Coach

NameandNumber	Part#	PricePerUnit
1.) Shell(Amtrak,#34132)	GE-0100008	*30.00
1.) Shell(Amtrak,#34126)	GE-0100009	*30.00
1.) Shell(Amtrak,#34110)	GE-0100010	*30.00
2.) Handrail(14.0mmlong)	GE-0100002	1.00
3.) Diaphragm(black)	FI-0000011	2.00
4.) Handrail(6.0mmlong)	GE-0100003	1.00
5.) Screw (M3x16.0mm)(washerhead,self-drilling)	IA-0000025	0.15
6.) Windows(side)(ends)	FA-0100006	5.00
7.) Socket(bulb) (forpart#CH-0000006)	CH-0000007	1.00
8.) Bulbbase (fitspart#CH-0000007)	CH-0000006	0.50
9.) Bulb(18v)(grainofwheat)	CG-0000008	1.00
10.) Contactspringbase	BH-0000001	2.00
11.) Contactsprings	IE-0000015	0.50
12.) Screw (M3x6.0mm)(washerhead,self-drilling)	IA-0000070	0.15
13.) Bulbguide(16 1/2"long)	CH-0000009	10.00
14.) Interior detail(top)	GE-0100011	*15.00
15.) Screw (M3x14.0mm)(roundhead,self-drilling)	IA-0000069	0.15
16.) Screw (M3x14.0mm)(roundhead,self-drilling)	IA-0000069	0.15
17.) Bulbguide(81/2"long)	CH-0000010	8.00
18.) Interior detail(bottom)	GE-0100012	*10.00
19.) Frame	GB-0100003	*10.00
20.) Undercarriagedetail	GE-0100006	*10.00
21.) Screw (4/40x4.0mm)(roundhead)	IA-0000021	0.15
22.) Contactspringboard	BH-0000011	2.00
23.) T-bar	IG-0000001	0.50
24.) Coupler (44.0mmlong)	DD-0000003	3.00
25.) Couplerarmature (37.7mmlong)	DD-0000002	1.00
26.) Spring(6.5x11.0mm)	IE-0000007	0.50
27.) E-clip(3.0x8.0x0.5mm)	IF-0000002	0.15
28.) Washer(4.5x10.0x0.6mm)	ID-0000041	0.15
29.) Insulatorwasher	ID-0000029	0.15
30.) Screw (M3x6.0mm)(nickel)(roundhead)	IA-0000015	0.15
31.) Pick-up (8.0mmroller)(24.0mmlong)	BD-0000040	5.00
32.) Insulator (pick-up)(bottom)(flat)	BD-0000041	2.00
33.) Nut(2.5x5.0x7.0mm)	IC-0000008	0.50
34.) Screw (4/40x6.0mm)(roundhead)	IA-0000003	0.15
35.) Screw (4/40x6.0mm)(washerhead)	IA-0000028	0.15
36.) Truck(2axle,black)	DA-0100003	20.00
37.) Insulator	BD-0000014	2.00
38.) Screw (4/40x6.0mm)(roundhead)	IA-0000003	0.15
39.) Screw (M3x6.0mm)(nickel)(self-drilling)(roundhead)	IA-0000015	0.15
40.) Screw (M2.6x6.0mm)(yellowZink,roundhead,self-drilling)	IA-0000032	0.15
41.) DecopartA	GE-0100007	*3.00
42.) Bolt (M3x23.0mm)(w/5.0x17.0mmoversized shank)	IA-0000071	1.00
43.) Spring(6.5x12.0mm)	IE-0000018	0.50
44.) Doorwindowlens	FA-0100005	1.00
45.) Window(side)(middle)	FA-0100007	2.00

*RequiresExchange
Allpartsarepricedaseach

Amtrak Superliner Passenger Cars Sightseer lounge



Amtrak Superliner Passenger Cars Coach

