



20-2334-1  
20-2335-1  
20-2336-1  
20-2337-1

# GP-7/9

Diesel Engine



GL041102



# GP-7/9 Diesel Engine

## Shell Parts

| NameandNumber   | Part#      | \$Price<br>PerUnit | NameandNumber   | Part #     | \$Price<br>PerUnit |
|---|------------|--------------------|---|------------|--------------------|
| 1.) Numberboard<br>(blackw/frostednumbers)(rightrear/leftfront)<br>(NYC)(#6041)   | FG-2100353 | 2.00               | 2.) Numberboard<br>(blackw/whitenumbers)(leftrear/rightfront)<br>(EMD)(#100)                            | FG-2100374 | 2.00               |
| Numberboard<br>(blackw/frostednumbers)(rightrear/leftfront)<br>(NYC)(#6050)       | FG-2100354 | 2.00               | Numberboard<br>(blackw/whitenumbers)(leftrear/rightfront)<br>(EMD)(#200)                                | FG-2100375 | 2.00               |
| Numberboard<br>(blackw/frostednumbers)(rightrear/leftfront)<br>(NYC)(#6054)       | FG-2100355 | 2.00               | Numberboard<br>(blackw/whitenumbers)(leftrear/rightfront)<br>(EMD)(#300)                                | FG-2100376 | 2.00               |
| Numberboard<br>(blackw/frostednumbers)(rightrear/leftfront)<br>(Burlington)(#279) | FG-2100356 | 2.00               | 3.) Lens(clear)<br>(1.9x3.5x3.2mm)(1.0x3.5mmlenshead)<br>(ribbedforpressfit)(headlight/reverselight)    | FA-2150007 | 1.00               |
| Numberboard<br>(blackw/frostednumbers)(rightrear/leftfront)<br>(Burlington)(#284) | FG-2100357 | 2.00               | 4.) Handrail(yellow)(top)<br>(8.2mmlong)(NYC)(#6041)(#6050)(#6054)                                      | FC-2101262 | 2.00               |
| Numberboard<br>(blackw/frostednumbers)(rightrear/leftfront)<br>(Burlington)(#287) | FG-2100358 | 2.00               | Handrail(black)(top)<br>(8.2mmlong)(Burlington)(#279)(#284)(#287)<br>(RockIsland)(#1204)(#1211)(#1236)  | FC-2101263 | 2.00               |
| Numberboard<br>(blackw/whitenumbers)(rightrear/leftfront)<br>(RockIsland)(#1204)  | FG-2100359 | 2.00               | Handrail(silver)(top)<br>(8.2mmlong)(EMD)(#100)(#200)(#300)   | FC-2101267 | 2.00               |
| Numberboard<br>(blackw/whitenumbers)(rightrear/leftfront)<br>(RockIsland)(#1211)  | FG-2100360 | 2.00               | 5.) Handrail(yellow)(top)<br>(8.2mmlong)(NYC)(#6041)(#6050)(#6054)                                      | FC-2101262 | 2.00               |
| Numberboard<br>(blackw/whitenumbers)(rightrear/leftfront)<br>(RockIsland)(#1236)  | FG-2100361 | 2.00               | Handrail(black)(top)<br>(8.2mmlong)(Burlington)(#279)(#284)(#287)<br>(RockIsland)(#1204)(#1211)(#1236)  | FC-2101263 | 2.00               |
| Numberboard<br>(blackw/whitenumbers)(rightrear/leftfront)<br>(EMD)(#100)          | FG-2100362 | 2.00               | Handrail(silver)(top)<br>(8.2mmlong)(EMD)(#100)(#200)(#300)   | FC-2101267 | 2.00               |
| Numberboard<br>(blackw/whitenumbers)(rightrear/leftfront)<br>(EMD)(#200)          | FG-2100363 | 2.00               | 6.) Handrail(yellow)(end)<br>(10.0mmlong)(NYC)(#6041)(#6050)(#6054)                                     | FC-2101264 | 2.00               |
| Numberboard<br>(blackw/whitenumbers)(rightrear/leftfront)<br>(EMD)(#300)          | FG-2100364 | 2.00               | Handrail(black)(end)<br>(10.0mmlong)(Burlington)(#279)(#284)(#287)<br>(RockIsland)(#1204)(#1211)(#1236) | FC-2101265 | 2.00               |
| 2.) Numberboard<br>(blackw/frostednumbers)(leftrear/rightfront)<br>(NYC)(#6041)   | FG-2100365 | 2.00               | Handrail(silver)(end)<br>(10.0mmlong)(EMD)(#100)(#200)(#300)  | FC-2101268 | 2.00               |
| Numberboard<br>(blackw/frostednumbers)(leftrear/rightfront)<br>(NYC)(#6050)       | FG-2100366 | 2.00               | Handrail(blue)(end)<br>(10.0mmlong)(EMD)(#100)(#200)(#300)  | FC-2101269 | 2.00               |
| Numberboard<br>(blackw/frostednumbers)(leftrear/rightfront)<br>(NYC)(#6054)       | FG-2100367 | 2.00               | 7.) Handrail(yellow)(end)<br>(10.0mmlong)(NYC)(#6041)(#6050)(#6054)                                     | FC-2101264 | 2.00               |
| Numberboard<br>(blackw/frostednumbers)(leftrear/rightfront)<br>(Burlington)(#279) | FG-2100368 | 2.00               | Handrail(black)(end)<br>(10.0mmlong)(Burlington)(#279)(#284)(#287)<br>(RockIsland)(#1204)(#1211)(#1236) | FC-2101265 | 2.00               |
| Numberboard<br>(blackw/frostednumbers)(leftrear/rightfront)<br>(Burlington)(#284) | FG-2100369 | 2.00               | Handrail(cream)(end)<br>(10.0mmlong)(EMD)(#100)(#200)(#300)   | FC-2101266 | 2.00               |
| Numberboard<br>(blackw/frostednumbers)(leftrear/rightfront)<br>(Burlington)(#287) | FG-2100370 | 2.00               | Handrail(silver)(end)<br>(10.0mmlong)(EMD)(#100)(#200)(#300)  | FC-2101268 | 2.00               |
| Numberboard<br>(blackw/whitenumbers)(leftrear/rightfront)<br>(RockIsland)(#1204)  | FG-2100371 | 2.00               | 8.) Handrail(yellow)(end)<br>(10.0mmlong)(NYC)(#6041)(#6050)(#6054)                                     | FC-2101264 | 2.00               |
| Numberboard<br>(blackw/whitenumbers)(leftrear/rightfront)<br>(RockIsland)(#1211)  | FG-2100372 | 2.00               | Handrail(black)(end)<br>(10.0mmlong)(Burlington)(#279)(#284)(#287)<br>(RockIsland)(#1204)(#1211)(#1236) | FC-2101265 | 2.00               |
| Numberboard<br>(blackw/whitenumbers)(leftrear/rightfront)<br>(RockIsland)(#1236)  | FG-2100373 | 2.00               | Handrail(silver)(end)<br>(10.0mmlong)(EMD)(#100)(#200)(#300)  | FC-2101268 | 2.00               |
|   |            |                    | 9.) Liftring(black)<br>(NYC)(#6041)(#6050)(#6054)<br>(RockIsland)(#1204)(#1211)(#1236)                  | FC-2100189 | 0.50               |
|   |            |                    | Liftring(gray)<br>(Burlington)(#279)(#284)(#287)  | FC-2101202 | 0.50               |
|   |            |                    | Liftring(silver)<br>(EMD)(#100)(#200)(#300)   | FC-2100658 | 0.50               |
|   |            |                    | 10.) Fan shroud(black)<br>(NYC)(#6041)(#6050)(#6054)<br>(RockIsland)(#1204)(#1211)(#1236)               | FC-2101270 | 3.00               |

\*Requires Exchange  
Allpartsarepricedaseach



# GP-7/9 Diesel Engine

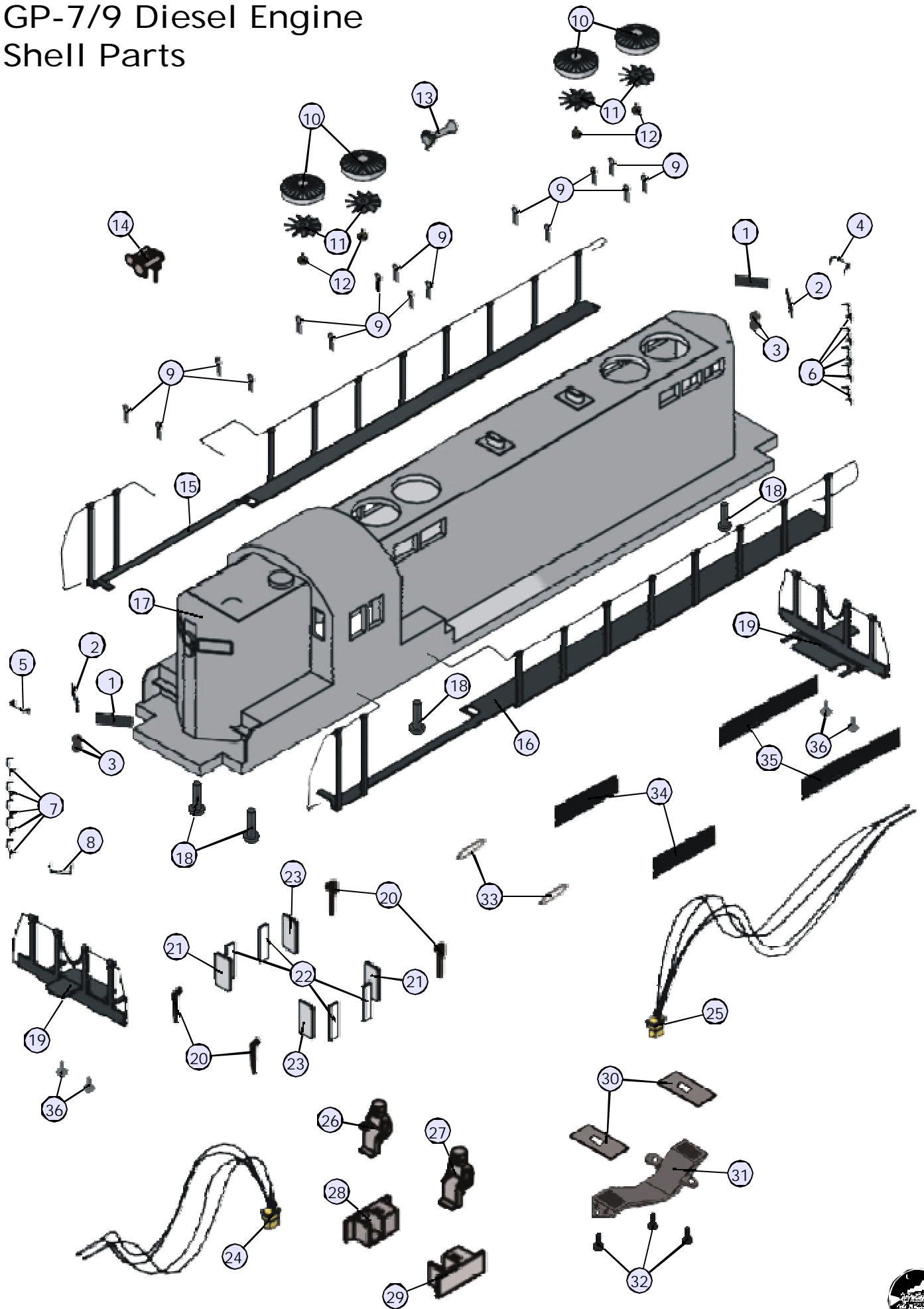
## Shell Parts

| Name and Number   | Part #     | \$Price<br>Per Unit | Name and Number   | Part #     | \$Price<br>Per Unit |
|---|------------|---------------------|---|------------|---------------------|
| 10.) Fan shroud(gray)<br>(Burlington)(#279)(#284)(#287)   | FC-2101271 | 3.00                | 17.) Shell(blue,silver,cream)<br>(EMD)(#200)                          | FC-2101288 | *120.00             |
| Fan shroud(silver)<br>(EMD)(#100)(#200)(#300)   | FC-2101272 | 3.00                | Shell(blue,silver,cream)<br>(EMD)(#300)                               | FC-2101289 | *120.00             |
| 11.) Fan(lightgray)<br>(16.0mmdiameter)(10blades)   | FC-2100225 | 2.00                | 18.) Screw<br>(M3x12.0mm)(washerhead)(self-drilling)                  | IA-0000133 | 0.15                |
| 12.) Pin(black)(forfan)<br>(1.0x4.5mm)(0.8x3.5mmflathead)<br>(1.4x3.0mmshank)(pinonendhasribsforpressfit) | FC-2100528 | 1.00                | 19.) Handrail(black&yellow)<br>(front&rear)(NYC)(#6041)(#6050)(#6054) | FC-2150061 | 8.00                |
| 13.) Airhorn(black)<br>(singlechime)(toporside)(13.9mmlong)<br>(NYC)(#6041)(#6050)(#6054)                 | FC-2101273 | 3.00                | Handrail(black)<br>(front&rear)(Burlington)(#279)(#284)(#287)         | FC-2150001 | 8.00                |
| (RockIsland)(#1204)(#1211)(#1236)   |            |                     | (RockIsland)(#1204)(#1211)(#1236)                                     |            |                     |
| Airhorn(gray)<br>(singlechime)(top)(13.9mmlong)   | FC-2101274 | 3.00                | (EMD)(#100)(#200)(#300)   |            |                     |
| (Burlington)(#279)(#284)(#287)  |            |                     | 20.) Windshieldwipers(black)  | FC-2100458 | 1.00                |
| Airhorn(silver)<br>(singlechime)(side)(13.9mmlong)  | FC-2101275 | 3.00                | 21.) Lens(clear)<br>(9.8x12.5x0.3mm)(rightfront/leftrear)             | FA-0000106 | 1.00                |
| (EMD)(#100)(#200)(#300)   |            |                     | 22.) Lens(clear)<br>(8.5x18.5x0.3mm)(left&rightsides)                 | FA-0000107 | 1.00                |
| 14.) Airhorns(black)<br>(2chime)(topfront)(11.4mm&8.4mmlong)<br>(NYC)(#6041)(#6050)(#6054)                | FC-2101276 | 4.00                | 23.) Lens(clear)<br>(7.5x11.5x0.3mm)(leftfront/rightrear)             | FA-0000108 | 1.00                |
| Airhorns(gray)<br>(2chime)(topfront)(11.4mm&8.4mmlong)  | FC-2101277 | 4.00                | 24.) L.E.D.s(green)(6v)(2)<br>(110.0mmlongwiresw/yellowmale2pinplug)  | CC-0000039 | 5.00                |
| (Burlington)(#279)(#284)(#287)  |            |                     | 25.) L.E.D.s(red)(6v)(2)<br>(110.0mmlongwiresw/yellowmale2pinplug)    | CC-0000038 | 5.00                |
| Airhorn(black)<br>(singlechime)(frontside)(13.9mmlong)  | FC-2101273 | 3.00                | 26.) Engineer(blackman)   | FI-0000030 | 5.00                |
| (RockIsland)(#1204)(#1211)(#1236)   |            |                     | Engineer(whiteman)  | FI-0000001 | 5.00                |
| Airhorn(silver)<br>(singlechime)(frontside)(13.9mmlong)   | FC-2101275 | 3.00                | 27.) Fireman/Brakeman/Conductor<br>(whiteman)                         | FI-0000009 | 5.00                |
| (EMD)(#100)(#200)(#300)   |            |                     | Fireman/Brakeman/Conductor<br>(blackman)                              | FI-0000033 | 5.00                |
| 15.) Handrail(black&yellow)<br>(right)(NYC)(#6041)(#6050)(#6054)  | FC-2110061 | 12.00               | 28.) Engineerbase(gray)(rightside)                                    | FI-0000025 | 1.00                |
| Handrail(black)<br>(right)(Burlington)(#279)(#284)(#287)  | FC-2110001 | 12.00               | 29.) Brakemanbase(gray)(leftside)                                     | FI-0000024 | 1.00                |
| (RockIsland)(#1204)(#1211)(#1236)   |            |                     | 30.) Gasket(black)<br>(foam)(9.5x14.5x16.5x27.5mm)(forsmokeyunit)     | IB-0000017 | 1.00                |
| (EMD)(#100)(#200)(#300)   |            |                     | 31.) Smokeunitfunnel(black)<br>(plastic)(14.7x64.5mm)(3mountingtabs)  | AA-0000058 | 6.00                |
| 16.) Handrail(black&yellow)<br>(left)(NYC)(#6041)(#6050)(#6054)   | FC-2120062 | 12.00               | 32.) Screw<br>(M3x8.0mm)(roundhead)(self-drillingthreads)             | IA-0000072 | 0.15                |
| Handrail(black)<br>(left)(Burlington)(#279)(#284)(#287)   | FC-2120001 | 12.00               | 33.) Builder'splate(black,brass)<br>(EMD)(2.5x9.8mm)                  | FC-2101290 | 3.00                |
| (RockIsland)(#1204)(#1211)(#1236)   |            |                     | 34.) Vent (black)<br>(metal)(9.0x33.0mm)                              | FC-2101291 | 4.00                |
| (EMD)(#100)(#200)(#300)   |            |                     | (NYC)(#6041)(#6050)(#6054)  |            |                     |
| 17.) Shell(black,white,gray)<br>(NYC)(#6041)  | FC-2101278 | *120.00             | (RockIsland)(#1204)(#1211)(#1236)                                     |            |                     |
| Shell(black,white,gray)<br>(NYC)(#6050)   | FC-2101279 | *120.00             | Vent (gray)<br>(metal)(9.0x33.0mm)                                    | FC-2101292 | 4.00                |
| Shell(black,white,gray)<br>(NYC)(#6054)   | FC-2101280 | *120.00             | (Burlington)(#279)(#284)(#287)  |            |                     |
| Shell(red,gray,white)<br>(Burlington)(#279)   | FC-2101281 | *120.00             | Vent (silver)<br>(metal)(9.0x33.0mm)                                  | FC-2101293 | 4.00                |
| Shell(red,gray,white)<br>(Burlington)(#284)   | FC-2101282 | *120.00             | (EMD)(#100)(#200)(#300)   |            |                     |
| Shell(red,gray,white)<br>(Burlington)(#287)   | FC-2101283 | *120.00             | 35.) Vent (black)<br>(metal)(9.0x50.0mm)                              | FC-2101294 | 4.00                |
| Shell(black,red,white,silver)<br>(RockIsland)(#1204)  | FC-2101284 | *120.00             | (NYC)(#6041)(#6050)(#6054)  |            |                     |
| Shell(black,red,white,silver)<br>(RockIsland)(#1211)  | FC-2101285 | *120.00             | (RockIsland)(#1204)(#1211)(#1236)                                     |            |                     |
| Shell(black,red,white,silver)<br>(RockIsland)(#1236)  | FC-2101286 | *120.00             | Vent (gray)<br>(metal)(9.0x50.0mm)                                    | FC-2101295 | 4.00                |
| Shell(blue,silver,cream)<br>(EMD)(#100)   | FC-2101287 | *120.00             | (Burlington)(#279)(#284)(#287)  |            |                     |
|   |            |                     | Vent (silver)<br>(metal)(9.0x50.0mm)                                  | FC-2101296 | 4.00                |
|   |            |                     | (EMD)(#100)(#200)(#300)   |            |                     |
|   |            |                     | 36.) Screw<br>(M2x3.0mm)(washerhead)                                  | IA-0000*** | 0.15                |

\*Requires Exchange  
All parts are priced as each



# GP-7/9 Diesel Engine Shell Parts



# GP-7/9 Diesel Engine

## Chassis Parts

| NameandNumber  | Part #     | \$Price<br>PerUnit | NameandNumber  | Part #     | \$Price<br>PerUnit |
|--|------------|--------------------|--|------------|--------------------|
| 1.) Screw<br>(M3x6.0mm)(roundhead)   | IA-0000016 | 0.15               | 26.) Screw<br>(M3x14.0mm)(roundhead)(w/lockwasher)   | IA-0000012 | 0.15               |
| 2.) Motorcover(gray)<br>(hasholesnearbottomtomountinteriorlightsbrackets)  | BI-0000068 | 7.00               | 27.) Screw(yellowZink)<br>(M2.5x6.0mm)(roundhead)(w/lockwasher)  | IA-0000001 | 0.15               |
| 3a.) Bracket(black)(metal)<br>(6.5x10.0mm)(7.5mmstep)(righthandedlip)<br>(formountingcabinteriorbulbstomotorcover) | IH-0000351 | 2.00               | 28.) Motormount(black)   | BI-0000009 | 15.00              |
| 3b.) Bracket(black)(metal)<br>(6.5x10.0mm)(7.5mmstep)(lefthandedlip)<br>(formountingcabinteriorbulbstomotorcover)  | IH-0000352 | 2.00               | 29.) Motor(RS-385PH)<br>(7.9x17.0mmwormgear)(12.0mmlongthreads)<br>(9.0x27.0mmblackflywheel)   | BE-0000124 | 25.00              |
| 4.) Screw<br>(M2.4x3.0mm)(roundhead)(plasticcuttingthreads)  | IA-0000350 | 0.15               | 30.) Motor(RS-385PH)<br>(7.9x17.0mmwormgear)(12.0mmlongthreads)<br>(9.0x27.0mmwhiteflywheelw/blackstripes)<br>(w/blackplastictachboardbracket)   | BE-0000125 | 25.00              |
| 5.) Grommet(black)<br>(cupped)(rubber)   | IH-0000144 | 0.50               | 31.) Rubberband  | BI-4500004 | 0.50               |
| 6.) Bulbs(clear)(6v)(2)<br>(70.0mmlongwiresw/yellowmale2pinplug)<br>(grainofwheat)(cabinteriorlights)              | CG-0000053 | 4.00               | 32.) Bracket(black)<br>(plastic)(battery)(29.0x58.0x20.5mm)<br>(horizontalmounting)(2mountingtabs)   | IH-0000356 | 4.00               |
| 7.) Boards(Proto-Sound®2.0)<br>(w/Rommemory)(5vboard)  | AE-0000001 | *200.00            | 33.) Screw<br>(M3x3.0mm)(roundhead)  | IA-0000296 | 0.15               |
| 8.) Screw<br>(M3x4.0mm)(roundhead)   | IA-0000010 | 0.15               | 34.) Smokeunit<br>(Proto-Sound®2.0)(10.0x12.0x3.8x5.0mmbrasscup)<br>(26.0mmlongmountingposts)  | AA-0000059 | 50.00              |
| 9.) Bracket(Aluminum)<br>(forProto-Sound®2.0boards)(tappedfor6/32screw)<br>(15.0x39.0mm)(19.0mmstep)               | IH-0000353 | 4.00               | 35.) Screw<br>(4/40x6.0mm)(roundhead)  | IA-0000003 | 0.15               |
| 10.) Screw<br>(6/32x12.0mm)(roundhead)   | IA-0000103 | 0.15               | 36.) Insulator(white)<br>(washer)(3.0x6.0x3.0mm)(plastic)  | ID-0000025 | 0.15               |
| 11.) Battery(white)<br>(8.4volts)(re-chargable)(nickel-cadium)   | BG-4000001 | 10.00              | 37.) Voltageregulator<br>(LM2937ET)  | AG-0000032 | 3.00               |
| 12.) Batteryleads<br>(60.0mmlongwiresw/smallblackmale2pinplug)<br>(160.0mm longwiresw/batterychargerjack)          | BC-0000168 | 6.00               | 38.) Insulator(clear)<br>(13.0x19.0x0.1mm)(singlehole)   | ID-0000024 | 0.15               |
| 13.) Grommet(black)(rubber)<br>(holds2bulbs)(forheadlight&reverselightbulbs)                                       | IH-0000319 | 0.50               | 39.) Tachboard(green)<br>(w/1.5mmspacerbetweenboard&opticalsensur)   | AG-0000047 | 6.00               |
| 14.) Bracket(black)<br>(metal)(10.0x57.0mm)<br>(holesfor#boardsheadlights/reverselights)                           | IH-0000354 | 5.00               | 40.) Screw<br>(4/40x6.0mm)(flathead)   | IA-0000038 | 0.15               |
| 15.) Bulbs(clear)(6v)(2)<br>(60.0mmlongwiresw/whitemale2pinplug)<br>(grainofwheat)(numberboardlights)              | CC-0000035 | 4.00               | 41.) Wirestrap(black)<br>(metal)(small)  | IH-0000012 | 1.00               |
| 16.) Bulbs(clear)(6v)(2)<br>(60.0mmlongwiresw/bluemale2pinplug)<br>(grainofwheat)(headlightbulbs)                  | CA-0000044 | 4.00               | 42.) Pilot(black,white,yellow)<br>(pilothas2screwholesformountingpilot)(complete)<br>(NYC)(#6041)(#6050)(#6054)<br>Pilot(red)<br>(pilothas2screwholesformountingpilot)(complete)<br>(Burlington)(#279)(#284)(#287)<br>Pilot(black,white)<br>(pilothas2screwholesformountingpilot)(complete)<br>(RockIsland)(#1204)(#1211)(#1236)<br>Pilot(blue,silver)<br>(pilothas2screwholesformountingpilot)(complete)<br>(EMD)(#100)(#200)(#300) | DG-2150051 | 20.00              |
| 17.) Bulbs(clear)(6v)(2)<br>(70.0mmlongwiresw/greenmale2pinplug)<br>(grainofwheat)(reverselightbulbs)              | CF-0000026 | 4.00               | 43.) T-bar (black)<br>(4.0x20.0mm)(plastic)  | IG-0000001 | 0.50               |
| 18.) Screw<br>(M3x8.0mm)(roundhead)  | IA-0000035 | 0.15               | 44.) Proto-Coupler®(black)<br>(Proto-Coupler®2.0)(51.0mmlong)  | DD-0000032 | 10.00              |
| 19.) Patchboard(green)<br>(20.3x27.3mm)<br>(yellow,blue,black,white,redfemale2pinplugs)                            | AG-0000067 | 8.00               | 45.) Spring(nickel)<br>(6.5x14.0mm)(w/0.5mmthickwire)  | IE-0000005 | 0.50               |
| 20.) Patchboard(green)<br>(20.3x27.3mm)<br>(yellow,green,black,red,whitefemale2pinplugs)                           | AG-0000063 | 8.00               | 46.) Washer<br>(4.5x10.0x0.5mm)(metal)   | ID-0000009 | 0.15               |
| 21.) Spacer(black)<br>(3.0x6.0x4.3mm)(plastic)   | ID-0000071 | 0.15               | 47.) E-clip<br>(3.0x8.0x0.5mm)(metal)  | IF-0000002 | 0.15               |
| 22.) Bracket(black)<br>(metal)(5.0x27.0mm)(2parts)(holdswires)   | IH-0000355 | 4.00               | 48.) Truck(black)<br>(powered)(2axle)(trucksidemountfrombottom)<br>(2screwholesfor2screwmountpilot)  | DA-2050010 | *30.00             |
| 23.) Chassis(black)<br>(57.0x323.0mm)(hasholesforbatterychargerjack)   | DH-2100041 | *20.00             |  |            |                    |
| 24.) Screw<br>(M2x4.0mm)(roundhead)  | IA-0000058 | 0.15               |  |            |                    |
| 25.) Switch(large)(2position)  | BB-0000006 | 5.00               |  |            |                    |

\*RequiresExchange  
Allpartsarepricedaseach



# GP-7/9 Diesel Engine

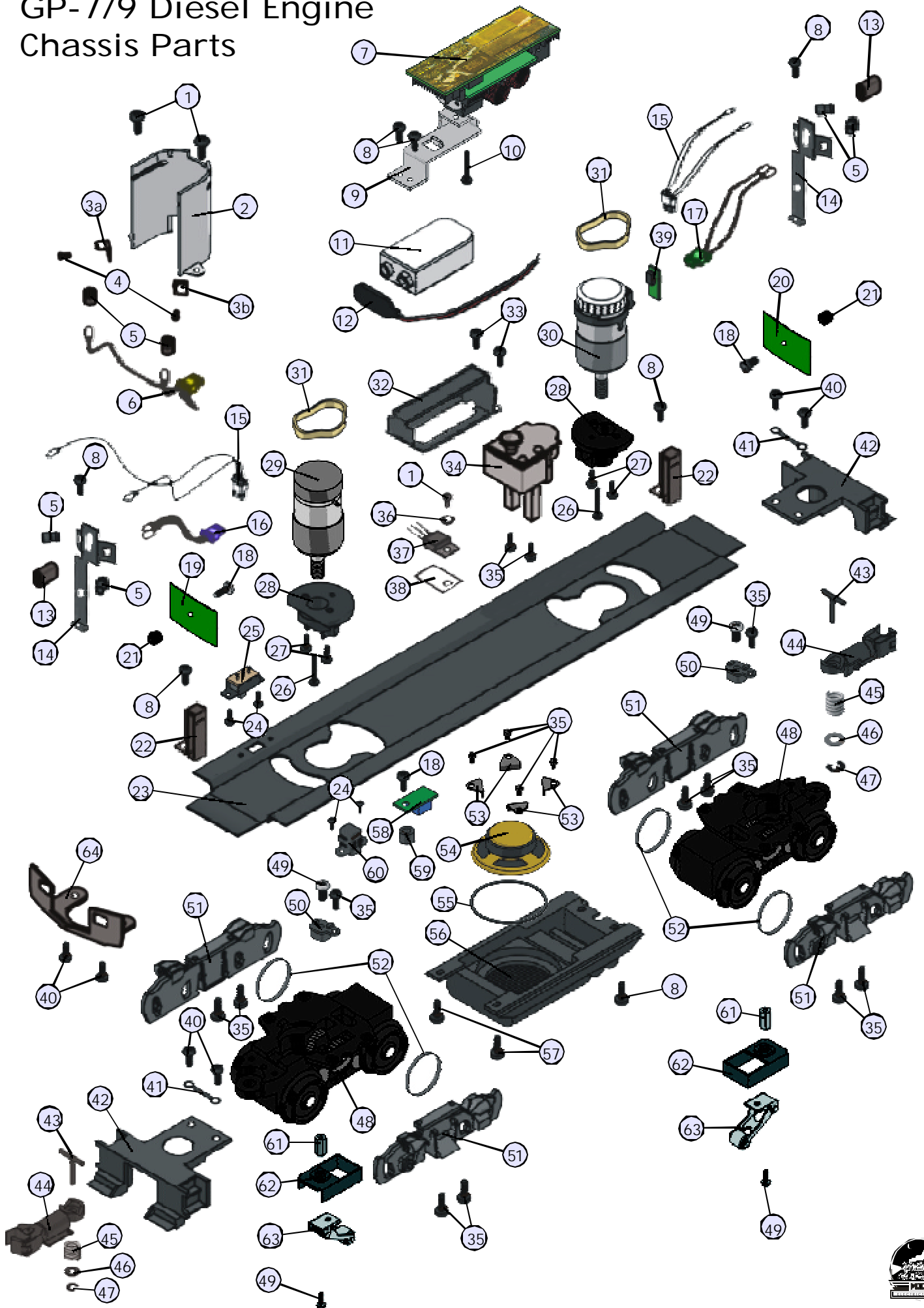
## Chassis Parts

| Name and Number   | Part #     | \$Price<br>Per Unit | Name and Number  | Part #     | \$Price<br>Per Unit |
|---|------------|---------------------|--|------------|---------------------|
| 49.) Screw(nickel)<br>(M3x6.0mm)(roundhead)   | IA-0000015 | 0.15                | NS.) Wireharness(forspeaker)<br>(70.0mmlongwiresw/whitemale2pinplug)   | BC-2100027 | 3.00                |
| 50.) Insulator(black)<br>(top)(square)(pick-up)   | BD-0000015 | 2.00                | NS.) Wireharness<br>(105.0mmlongwiresw/blackmale2pinplug)<br>(blackwireshieldonwires)(forProto-Coupler®)               | BC-0000169 | 3.00                |
| 51.) Truckside(black)<br>(fits2axlescaletruck)<br>(trucksidescrewsmountfrombottom)<br>(NYC)(#6041)(#6050)(#6054)<br>(Burlington)(#279)(#284)(#287)<br>(RockIsland)(#1204)(#1211)(#1236) | DB-2150002 | 7.00                | NS.) Wireharness<br>(whitemale2pinplug)<br>(55.0mmlongred&blackwiresw/eyelets)<br>(blackwireshieldonwires)(forpick-up) | BC-0000170 | 4.00                |
| Truckside(blue)<br>(fits2axlescaletruck)<br>(trucksidescrewsmountfrombottom)<br>(EMD)(#100)(#200)(#300)   | DB-2150005 | 7.00                |  |            |                     |
| 52.) Tractiontire(black)<br>(rubber)(4.0x17.0mm)  | DE-0000018 | 0.75                |  |            |                     |
| 53.) Bracket(brass)<br>(speaker)(12.0x9.7mm)(5.0mmstep)<br>(roundedendbymountinghole)   | IH-0000322 | 1.00                |  |            |                     |
| 54.) Speaker(STAR)<br>(FR-050-A1421)(16ohms)(5W)(50.0mmspeaker)   | BF-0000022 | 10.00               |  |            |                     |
| 55.) Gasket (black)(speaker)(foam)<br>(46.0x51.0mm)(4.5mmthick)(for50.0mmspeakers)  | IB-0000011 | 1.00                |  |            |                     |
| 56.) Fuel tank<br>(blackw/redmarkings)<br>(NYC)(#6041)(#6050)(#6054)  | FC-2101297 | *20.00              |  |            |                     |
| Fuel tank(black,red)<br>(Burlington)(#279)(#284)(#287)  | FC-2101298 | *20.00              |  |            |                     |
| Fuel tank(black)<br>(RockIsland)(#1204)(#1211)(#1236)   | FC-2101299 | *20.00              |  |            |                     |
| Fuel tank<br>(bluew/red&silvermarkings)<br>(EMD)(#100)(#200)(#300)  | FC-2101300 | *20.00              |  |            |                     |
| 57.) Screw<br>(M3x12.0mm)(washerhead)(self-drilling)  | IA-0000133 | 0.15                |  |            |                     |
| 58.) Volumepot<br>(smallvolumepot)(bluew/greenboard)  | BI-0000040 | 5.00                |  |            |                     |
| 59.) Spacer(black)<br>(3.0x6.0x4.3mm)(plastic)  | ID-0000071 | 0.15                |  |            |                     |
| 60.) Batterychargerjack(complete)   | BG-0000001 | 3.00                |  |            |                     |
| 61.) Nut(nickel)<br>(2.5x5.0x10.0mm)(formountingpick-up)  | IC-0000005 | 0.50                |  |            |                     |
| 62.) Insulator(black)<br>(pick-up)(bottom)(flatw/rect.box)(18.0x30.0mm)   | BD-0000039 | 2.00                |  |            |                     |
| 63.) Pick-up<br>(8.0x11.0mmlong)(28.0mmlong)  | BD-0000025 | 5.00                |  |            |                     |
| 64.) Snowplow(black)<br>(NYC)(#6041)(#6050)(#6054)<br>(RockIsland)(#1204)(#1211)(#1236)   | FH-2130001 | 4.00                |  |            |                     |
| Snow plow(red)<br>(Burlington)(#279)(#284)(#287)  | FH-2130019 | 4.00                |  |            |                     |
| Snowplow(blue)<br>(EMD)(#100)(#200)(#300)   | FH-2130020 | 4.00                |  |            |                     |
| NS.) Airhoses(black)(3lines)  | FC-2100711 | 3.00                |  |            |                     |
| NS.) Wireharness<br>(blackmale12pinplug)  | BC-2100038 | 25.00               |  |            |                     |
| NS.) Wireharness<br>(blackmale7pinplug)   | BC-2100039 | 10.00               |  |            |                     |
| NS.) Wireharness<br>(blackmale5pinplug)(formotors)  | BC-2200022 | 4.00                |  |            |                     |
| NS.) Wireharness<br>(blackmale4pinplug)(smokeunit)  | BC-1200137 | 4.00                |  |            |                     |

\*Requires Exchange  
Allpartsarepricedaseach



# GP-7/9 Diesel Engine Chassis Parts



# Smoke Unit Proto-Sound® 2.0

## Smoke Unit Parts

| Name and Number   | Part #     | \$Price Per Unit |
|---|------------|------------------|
| 1.) Screw<br>(4/40x6.0mm)(roundhead)  | IA-0000003 | 0.15             |
| 2.) Gasket(burntorange)<br>(forstandardsmokeunit)(25.0x37.0mm)(0.5mmthick)              | IB-0000006 | 2.00             |
| 3.) Screw<br>(M1.4x3.0mm)(roundhead)  | IA-0000120 | 0.15             |
| 4.) Fan impeller(black)<br>(plastic)(forsmokeunit)                                      | AI-0000019 | 2.00             |
| 5.) Heating elements<br>(forsmokeunit)  | AI-0000018 |                  |
| 6.) Wick (white)<br>(forsmokeunit)(4"long)(soldasapair)<br>(requires2wickspersmokeunit) | AA-0000001 | 1.00             |
| 7.) Motor<br>(forsmokeunit)(wireharnessnotincluded)                                     | BE-0000041 | 5.00             |

All parts are priced as each

