



20-2334-1  
20-2335-1  
20-2336-1  
20-2337-1

# GP-7/9

## Diesel Engine



GL041102



# GP-7/9 Diesel Engine

## Shell Parts

NameandNumber	Part#	\$Price PerUnit	NameandNumber	Part #	\$Price PerUnit
1.) Numberboard (blackw/frostednumbers)(rightrear/leftfront) (NYC)(#6041)	FG-2100353	2.00	2.) Numberboard (blackw/whitenumbers)(leftrear/rightfront) (EMD)(#100)	FG-2100374	2.00
Numberboard (blackw/frostednumbers)(rightrear/leftfront) (NYC)(#6050)	FG-2100354	2.00	Numberboard (blackw/whitenumbers)(leftrear/rightfront) (EMD)(#200)	FG-2100375	2.00
Numberboard (blackw/frostednumbers)(rightrear/leftfront) (NYC)(#6054)	FG-2100355	2.00	Numberboard (blackw/whitenumbers)(leftrear/rightfront) (EMD)(#300)	FG-2100376	2.00
Numberboard (blackw/frostednumbers)(rightrear/leftfront) (Burlington)(#279)	FG-2100356	2.00	3.) Lens(clear) (1.9x3.5x3.2mm)(1.0x3.5mmlenshead) (ribbedforpressfit)(headlight/reverselight)	FA-2150007	1.00
Numberboard (blackw/frostednumbers)(rightrear/leftfront) (Burlington)(#284)	FG-2100357	2.00	4.) Handrail(yellow)(top) (8.2mmlong)(NYC)(#6041)(#6050)(#6054)	FC-2101262	2.00
Numberboard (blackw/frostednumbers)(rightrear/leftfront) (Burlington)(#287)	FG-2100358	2.00	Handrail(black)(top) (8.2mmlong)(Burlington)(#279)(#284)(#287) (RockIsland)(#1204)(#1211)(#1236)	FC-2101263	2.00
Numberboard (blackw/whitenumbers)(rightrear/leftfront) (RockIsland)(#1204)	FG-2100359	2.00	Handrail(silver)(top) (8.2mmlong)(EMD)(#100)(#200)(#300)	FC-2101267	2.00
Numberboard (blackw/whitenumbers)(rightrear/leftfront) (RockIsland)(#1211)	FG-2100360	2.00	5.) Handrail(yellow)(top) (8.2mmlong)(NYC)(#6041)(#6050)(#6054)	FC-2101262	2.00
Numberboard (blackw/whitenumbers)(rightrear/leftfront) (RockIsland)(#1236)	FG-2100361	2.00	Handrail(black)(top) (8.2mmlong)(Burlington)(#279)(#284)(#287) (RockIsland)(#1204)(#1211)(#1236)	FC-2101263	2.00
Numberboard (blackw/whitenumbers)(rightrear/leftfront) (EMD)(#100)	FG-2100362	2.00	Handrail(silver)(top) (8.2mmlong)(EMD)(#100)(#200)(#300)	FC-2101267	2.00
Numberboard (blackw/whitenumbers)(rightrear/leftfront) (EMD)(#200)	FG-2100363	2.00	6.) Handrail(yellow)(end) (10.0mmlong)(NYC)(#6041)(#6050)(#6054)	FC-2101264	2.00
Numberboard (blackw/whitenumbers)(rightrear/leftfront) (EMD)(#300)	FG-2100364	2.00	Handrail(black)(end) (10.0mmlong)(Burlington)(#279)(#284)(#287) (RockIsland)(#1204)(#1211)(#1236)	FC-2101265	2.00
2.) Numberboard (blackw/frostednumbers)(leftrear/rightfront) (NYC)(#6041)	FG-2100365	2.00	Handrail(silver)(end) (10.0mmlong)(EMD)(#100)(#200)(#300)	FC-2101268	2.00
Numberboard (blackw/frostednumbers)(leftrear/rightfront) (NYC)(#6050)	FG-2100366	2.00	Handrail(blue)(end) (10.0mmlong)(EMD)(#100)(#200)(#300)	FC-2101269	2.00
Numberboard (blackw/frostednumbers)(leftrear/rightfront) (NYC)(#6054)	FG-2100367	2.00	7.) Handrail(yellow)(end) (10.0mmlong)(NYC)(#6041)(#6050)(#6054)	FC-2101264	2.00
Numberboard (blackw/frostednumbers)(leftrear/rightfront) (Burlington)(#279)	FG-2100368	2.00	Handrail(black)(end) (10.0mmlong)(Burlington)(#279)(#284)(#287) (RockIsland)(#1204)(#1211)(#1236)	FC-2101265	2.00
Numberboard (blackw/frostednumbers)(leftrear/rightfront) (Burlington)(#284)	FG-2100369	2.00	Handrail(cream)(end) (10.0mmlong)(EMD)(#100)(#200)(#300)	FC-2101266	2.00
Numberboard (blackw/frostednumbers)(leftrear/rightfront) (Burlington)(#287)	FG-2100370	2.00	Handrail(silver)(end) (10.0mmlong)(EMD)(#100)(#200)(#300)	FC-2101268	2.00
Numberboard (blackw/whitenumbers)(leftrear/rightfront) (RockIsland)(#1204)	FG-2100371	2.00	8.) Handrail(yellow)(end) (10.0mmlong)(NYC)(#6041)(#6050)(#6054)	FC-2101264	2.00
Numberboard (blackw/whitenumbers)(leftrear/rightfront) (RockIsland)(#1211)	FG-2100372	2.00	Handrail(black)(end) (10.0mmlong)(Burlington)(#279)(#284)(#287) (RockIsland)(#1204)(#1211)(#1236)	FC-2101265	2.00
Numberboard (blackw/whitenumbers)(leftrear/rightfront) (RockIsland)(#1236)	FG-2100373	2.00	Handrail(silver)(end) (10.0mmlong)(EMD)(#100)(#200)(#300)	FC-2101268	2.00
			9.) Liftring(black) (NYC)(#6041)(#6050)(#6054) (RockIsland)(#1204)(#1211)(#1236)	FC-2100189	0.50
			Liftring(gray) (Burlington)(#279)(#284)(#287)	FC-2101202	0.50
			Liftring(silver) (EMD)(#100)(#200)(#300)	FC-2100658	0.50
			10.) Fan shroud(black) (NYC)(#6041)(#6050)(#6054) (RockIsland)(#1204)(#1211)(#1236)	FC-2101270	3.00

\*Requires Exchange  
Allpartsarepricedaseach



# GP-7/9 Diesel Engine

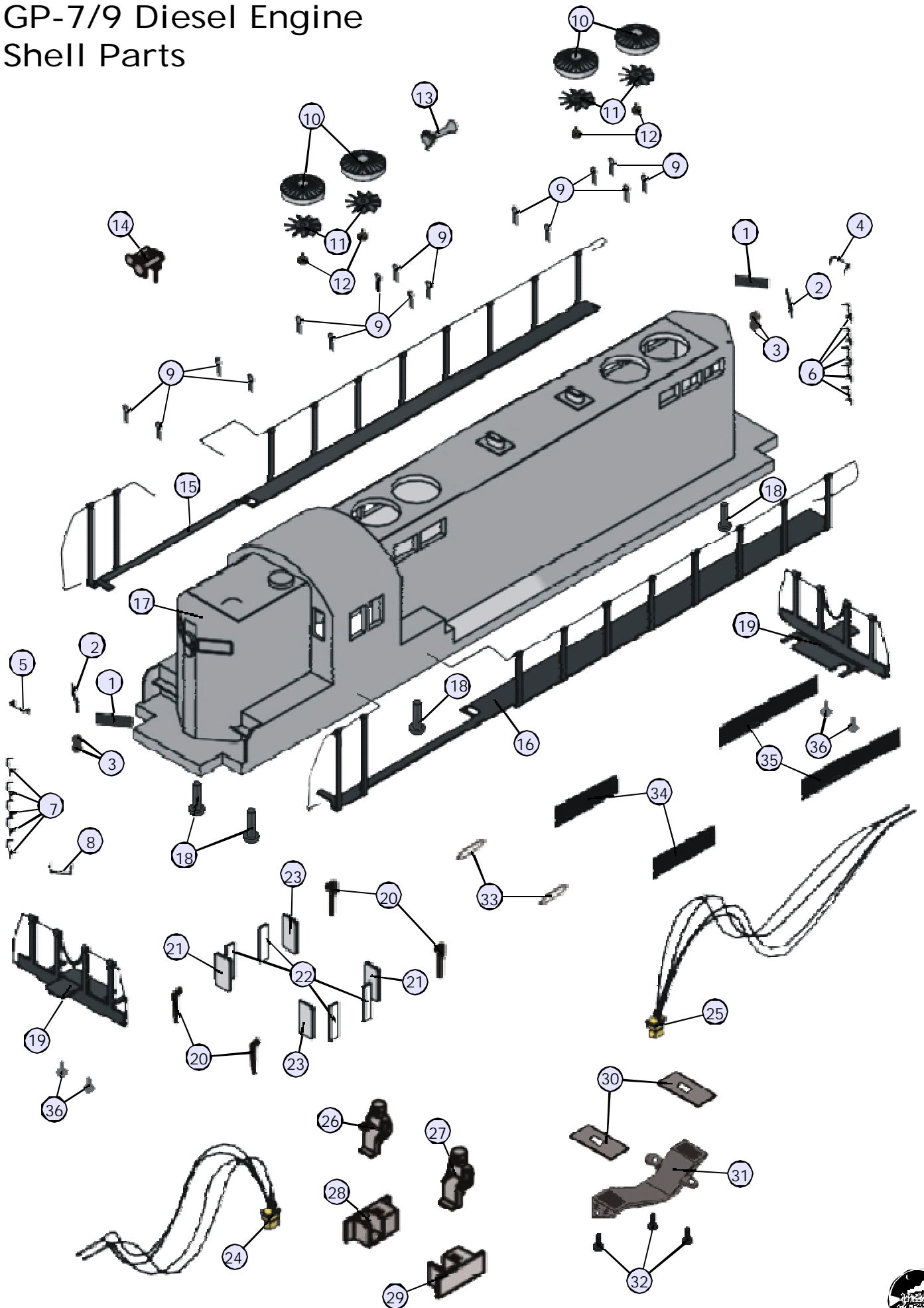
## Shell Parts

Name and Number	Part #	\$Price Per Unit	Name and Number	Part #	\$Price Per Unit
10.) Fan shroud(gray) (Burlington)(#279)(#284)(#287)	FC-2101271	3.00	17.) Shell(blue,silver,cream) (EMD)(#200)	FC-2101288	*120.00
Fan shroud(silver) (EMD)(#100)(#200)(#300)	FC-2101272	3.00	Shell(blue,silver,cream) (EMD)(#300)	FC-2101289	*120.00
11.) Fan(lightgray) (16.0mmdiameter)(10blades)	FC-2100225	2.00	18.) Screw (M3x12.0mm)(washerhead)(self-drilling)	IA-0000133	0.15
12.) Pin(black)(forfan) (1.0x4.5mm)(0.8x3.5mmflathead) (1.4x3.0mmshank)(pinonendhasribsforpressfit)	FC-2100528	1.00	19.) Handrail(black&yellow) (front&rear)(NYC)(#6041)(#6050)(#6054)	FC-2150061	8.00
13.) Airhorn(black) (singlechime)(toporside)(13.9mmlong) (NYC)(#6041)(#6050)(#6054)	FC-2101273	3.00	Handrail(black) (front&rear)(Burlington)(#279)(#284)(#287)	FC-2150001	8.00
(RockIsland)(#1204)(#1211)(#1236)			(RockIsland)(#1204)(#1211)(#1236)		
Airhorn(gray) (singlechime)(top)(13.9mmlong) (Burlington)(#279)(#284)(#287)	FC-2101274	3.00	(EMD)(#100)(#200)(#300)		
Airhorn(silver) (singlechime)(side)(13.9mmlong) (EMD)(#100)(#200)(#300)	FC-2101275	3.00	20.) Windshieldwipers(black)	FC-2100458	1.00
14.) Airhorns(black) (2chime)(topfront)(11.4mm&8.4mmlong) (NYC)(#6041)(#6050)(#6054)	FC-2101276	4.00	21.) Lens(clear) (9.8x12.5x0.3mm)(rightfront/leftrear)	FA-0000106	1.00
Airhorns(gray) (2chime)(topfront)(11.4mm&8.4mmlong) (Burlington)(#279)(#284)(#287)	FC-2101277	4.00	22.) Lens(clear) (8.5x18.5x0.3mm)(left&rightsides)	FA-0000107	1.00
Airhorn(black) (singlechime)(frontside)(13.9mmlong) (RockIsland)(#1204)(#1211)(#1236)	FC-2101273	3.00	23.) Lens(clear) (7.5x11.5x0.3mm)(leftfront/rightrear)	FA-0000108	1.00
Airhorn(silver) (singlechime)(frontside)(13.9mmlong) (EMD)(#100)(#200)(#300)	FC-2101275	3.00	24.) L.E.D.s(green)(6v)(2) (110.0mmlongwiresw/yellowmale2pinplug)	CC-0000039	5.00
15.) Handrail(black&yellow) (right)(NYC)(#6041)(#6050)(#6054)	FC-2110061	12.00	25.) L.E.D.s(red)(6v)(2) (110.0mmlongwiresw/yellowmale2pinplug)	CC-0000038	5.00
Handrail(black) (right)(Burlington)(#279)(#284)(#287)	FC-2110001	12.00	26.) Engineer(blackman)	FI-0000030	5.00
(RockIsland)(#1204)(#1211)(#1236)			Engineer(whiteman)	FI-0000001	5.00
(EMD)(#100)(#200)(#300)			27.) Fireman/Brakeman/Conductor (whiteman)	FI-0000009	5.00
16.) Handrail(black&yellow) (left)(NYC)(#6041)(#6050)(#6054)	FC-2120062	12.00	Fireman/Brakeman/Conductor (blackman)	FI-0000033	5.00
Handrail(black) (left)(Burlington)(#279)(#284)(#287)	FC-2120001	12.00	28.) Engineerbase(gray)(rightside)	FI-0000025	1.00
(RockIsland)(#1204)(#1211)(#1236)			29.) Brakemanbase(gray)(leftside)	FI-0000024	1.00
(EMD)(#100)(#200)(#300)			30.) Gasket(black) (foam)(9.5x14.5x16.5x27.5mm)(forsmokeyunit)	IB-0000017	1.00
17.) Shell(black,white,gray) (NYC)(#6041)	FC-2101278	*120.00	31.) Smokeunitfunnel(black) (plastic)(14.7x64.5mm)(3mountingtabs)	AA-0000058	6.00
Shell(black,white,gray) (NYC)(#6050)	FC-2101279	*120.00	32.) Screw (M3x8.0mm)(roundhead)(self-drillingthreads)	IA-0000072	0.15
Shell(black,white,gray) (NYC)(#6054)	FC-2101280	*120.00	33.) Builder'splate(black,brass) (EMD)(2.5x9.8mm)	FC-2101290	3.00
Shell(red,gray,white) (Burlington)(#279)	FC-2101281	*120.00	34.) Vent (black) (metal)(9.0x33.0mm)	FC-2101291	4.00
Shell(red,gray,white) (Burlington)(#284)	FC-2101282	*120.00	(NYC)(#6041)(#6050)(#6054)		
Shell(red,gray,white) (Burlington)(#287)	FC-2101283	*120.00	(RockIsland)(#1204)(#1211)(#1236)		
Shell(black,red,white,silver) (RockIsland)(#1204)	FC-2101284	*120.00	Vent (gray) (metal)(9.0x33.0mm)	FC-2101292	4.00
Shell(black,red,white,silver) (RockIsland)(#1211)	FC-2101285	*120.00	(Burlington)(#279)(#284)(#287)		
Shell(black,red,white,silver) (RockIsland)(#1236)	FC-2101286	*120.00	Vent (silver) (metal)(9.0x33.0mm)	FC-2101293	4.00
Shell(blue,silver,cream) (EMD)(#100)	FC-2101287	*120.00	(EMD)(#100)(#200)(#300)		
			35.) Vent (black) (metal)(9.0x50.0mm)	FC-2101294	4.00
			(NYC)(#6041)(#6050)(#6054)		
			(RockIsland)(#1204)(#1211)(#1236)		
			Vent (gray) (metal)(9.0x50.0mm)	FC-2101295	4.00
			(Burlington)(#279)(#284)(#287)		
			Vent (silver) (metal)(9.0x50.0mm)	FC-2101296	4.00
			(EMD)(#100)(#200)(#300)		
			36.) Screw (M2x3.0mm)(washerhead)	IA-0000***	0.15

\*Requires Exchange  
All parts are priced as each



# GP-7/9 Diesel Engine Shell Parts





# GP-7/9 Diesel Engine

## Chassis Parts

NameandNumber	Part #	\$Price PerUnit	NameandNumber	Part #	\$Price PerUnit
1.) Screw (M3x6.0mm)(roundhead)	IA-0000016	0.15	26.) Screw (M3x14.0mm)(roundhead)(w/lockwasher)	IA-0000012	0.15
2.) Motorcover(gray) (hasholesnearbottomtomountinteriorlightsbrackets)	BI-0000068	7.00	27.) Screw(yellowZink) (M2.5x6.0mm)(roundhead)(w/lockwasher)	IA-0000001	0.15
3a.) Bracket(black)(metal) (6.5x10.0mm)(7.5mmstep)(righthandedlip) (formountingcabinteriorbulbstomotorcover)	IH-0000351	2.00	28.) Motormount(black)	BI-0000009	15.00
3b.) Bracket(black)(metal) (6.5x10.0mm)(7.5mmstep)(lefthandedlip) (formountingcabinteriorbulbstomotorcover)	IH-0000352	2.00	29.) Motor(RS-385PH) (7.9x17.0mmwormgear)(12.0mmlongthreads) (9.0x27.0mmblackflywheel)	BE-0000124	25.00
4.) Screw (M2.4x3.0mm)(roundhead)(plasticcuttingthreads)	IA-0000350	0.15	30.) Motor(RS-385PH) (7.9x17.0mmwormgear)(12.0mmlongthreads) (9.0x27.0mmwhiteflywheelw/blackstripes) (w/blackplastictachboardbracket)	BE-0000125	25.00
5.) Grommet(black) (cupped)(rubber)	IH-0000144	0.50	31.) Rubberband	BI-4500004	0.50
6.) Bulbs(clear)(6v)(2) (70.0mmlongwiresw/yellowmale2pinplug) (grainofwheat)(cabinteriorlights)	CG-0000053	4.00	32.) Bracket(black) (plastic)(battery)(29.0x58.0x20.5mm) (horizontalmounting)(2mountingtabs)	IH-0000356	4.00
7.) Boards(Proto-Sound®2.0) (w/Rommemory)(5vboard)	AE-0000001	*200.00	33.) Screw (M3x3.0mm)(roundhead)	IA-0000296	0.15
8.) Screw (M3x4.0mm)(roundhead)	IA-0000010	0.15	34.) Smokeunit (Proto-Sound®2.0)(10.0x12.0x3.8x5.0mmbrasscup) (26.0mmlongmountingposts)	AA-0000059	50.00
9.) Bracket(Aluminum) (forProto-Sound®2.0boards)(tappedfor6/32screw) (15.0x39.0mm)(19.0mmstep)	IH-0000353	4.00	35.) Screw (4/40x6.0mm)(roundhead)	IA-0000003	0.15
10.) Screw (6/32x12.0mm)(roundhead)	IA-0000103	0.15	36.) Insulator(white) (washer)(3.0x6.0x3.0mm)(plastic)	ID-0000025	0.15
11.) Battery(white) (8.4volts)(re-chargable)(nickel-cadium)	BG-4000001	10.00	37.) Voltageregulator (LM2937ET)	AG-0000032	3.00
12.) Batteryleads (60.0mmlongwiresw/smallblackmale2pinplug) (160.0mm longwiresw/batterychargerjack)	BC-0000168	6.00	38.) Insulator(clear) (13.0x19.0x0.1mm)(singlehole)	ID-0000024	0.15
13.) Grommet(black)(rubber) (holds2bulbs)(forheadlight&reverselightbulbs)	IH-0000319	0.50	39.) Tachboard(green) (w/1.5mmspacerbetweenboard&opticalsensur)	AG-0000047	6.00
14.) Bracket(black) (metal)(10.0x57.0mm) (holesfor#boardsheadlights/reverselights)	IH-0000354	5.00	40.) Screw (4/40x6.0mm)(flathead)	IA-0000038	0.15
15.) Bulbs(clear)(6v)(2) (60.0mmlongwiresw/whitemale2pinplug) (grainofwheat)(numberboardlights)	CC-0000035	4.00	41.) Wirestrap(black) (metal)(small)	IH-0000012	1.00
16.) Bulbs(clear)(6v)(2) (60.0mmlongwiresw/bluemale2pinplug) (grainofwheat)(headlightbulbs)	CA-0000044	4.00	42.) Pilot(black,white,yellow) (pilothas2screwholesformountingpilot)(complete) (NYC)(#6041)(#6050)(#6054) Pilot(red) (pilothas2screwholesformountingpilot)(complete) (Burlington)(#279)(#284)(#287) Pilot(black,white) (pilothas2screwholesformountingpilot)(complete) (RockIsland)(#1204)(#1211)(#1236) Pilot(blue,silver) (pilothas2screwholesformountingpilot)(complete) (EMD)(#100)(#200)(#300)	DG-2150051	20.00
17.) Bulbs(clear)(6v)(2) (70.0mmlongwiresw/greenmale2pinplug) (grainofwheat)(reverselightbulbs)	CF-0000026	4.00	43.) T-bar (black) (4.0x20.0mm)(plastic)	IG-0000001	0.50
18.) Screw (M3x8.0mm)(roundhead)	IA-0000035	0.15	44.) Proto-Coupler®(black) (Proto-Coupler®2.0)(51.0mmlong)	DD-0000032	10.00
19.) Patchboard(green) (20.3x27.3mm) (yellow,blue,black,white,redfemale2pinplugs)	AG-0000067	8.00	45.) Spring(nickel) (6.5x14.0mm)(w/0.5mmthickwire)	IE-0000005	0.50
20.) Patchboard(green) (20.3x27.3mm) (yellow,green,black,red,whitefemale2pinplugs)	AG-0000063	8.00	46.) Washer (4.5x10.0x0.5mm)(metal)	ID-0000009	0.15
21.) Spacer(black) (3.0x6.0x4.3mm)(plastic)	ID-0000071	0.15	47.) E-clip (3.0x8.0x0.5mm)(metal)	IF-0000002	0.15
22.) Bracket(black) (metal)(5.0x27.0mm)(2parts)(holdswires)	IH-0000355	4.00	48.) Truck(black) (powered)(2axle)(trucksidemountfrombottom) (2screwholesfor2screwmountpilot)	DA-2050010	*30.00
23.) Chassis(black) (57.0x323.0mm)(hasholesforbatterychargerjack)	DH-2100041	*20.00			
24.) Screw (M2x4.0mm)(roundhead)	IA-0000058	0.15			
25.) Switch(large)(2position)	BB-0000006	5.00			

\*RequiresExchange  
Allpartsarepricedaseach



# GP-7/9 Diesel Engine

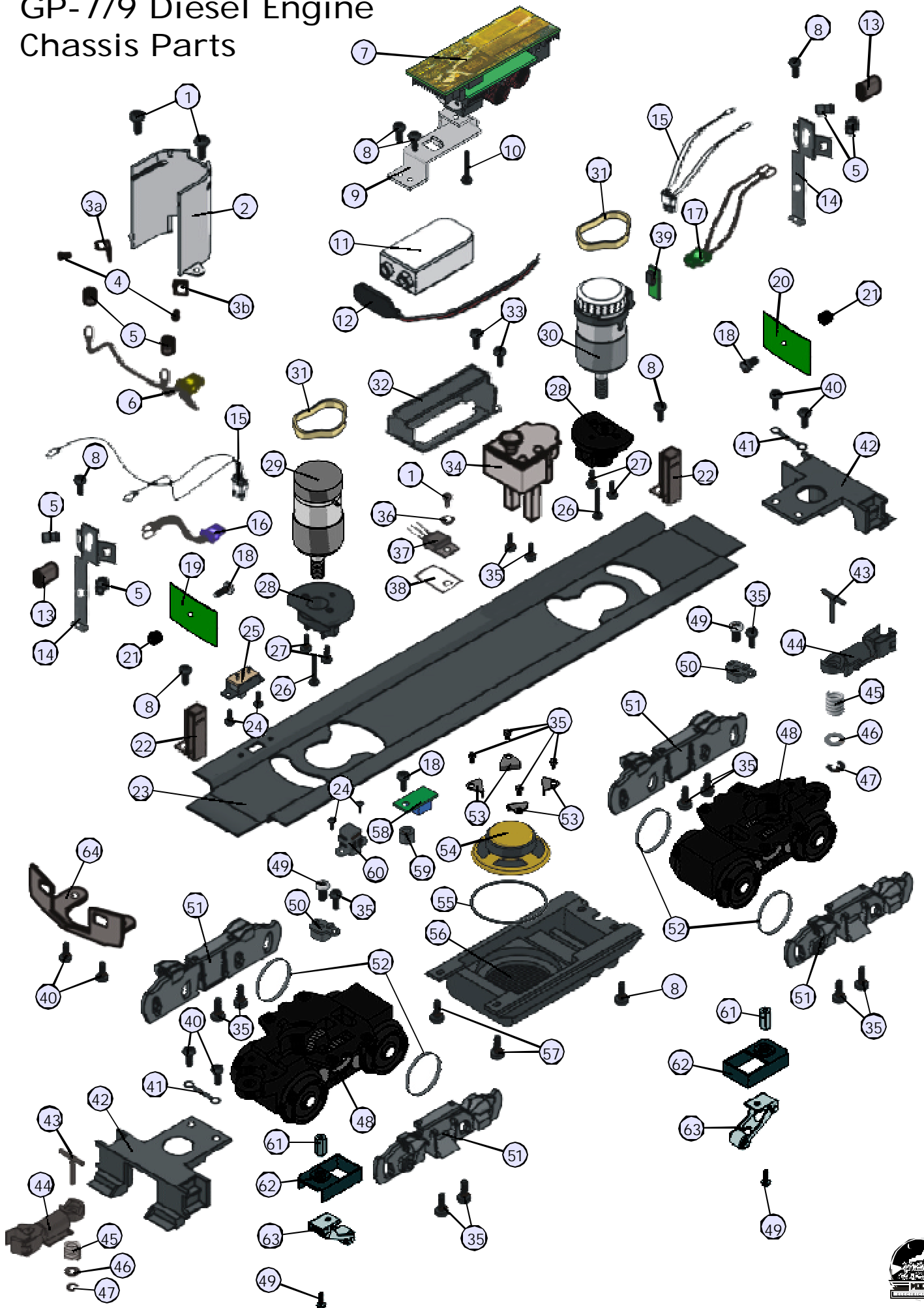
## Chassis Parts

Name and Number	Part #	\$Price Per Unit	Name and Number	Part #	\$Price Per Unit
49.) Screw(nickel) (M3x6.0mm)(roundhead)	IA-0000015	0.15	NS.) Wireharness(forspeaker) (70.0mmlongwiresw/whitemale2pinplug)	BC-2100027	3.00
50.) Insulator(black) (top)(square)(pick-up)	BD-0000015	2.00	NS.) Wireharness (105.0mmlongwiresw/blackmale2pinplug) (blackwireshieldonwires)(forProto-Coupler®)	BC-0000169	3.00
51.) Truckside(black) (fits2axlescaletruck) (trucksidescrewsmountfrombottom) (NYC)(#6041)(#6050)(#6054) (Burlington)(#279)(#284)(#287) (RockIsland)(#1204)(#1211)(#1236)	DB-2150002	7.00	NS.) Wireharness (whitemale2pinplug) (55.0mmlongred&blackwiresw/eyelets) (blackwireshieldonwires)(forpick-up)	BC-0000170	4.00
Truckside(blue) (fits2axlescaletruck) (trucksidescrewsmountfrombottom) (EMD)(#100)(#200)(#300)	DB-2150005	7.00			
52.) Tractiontire(black) (rubber)(4.0x17.0mm)	DE-0000018	0.75			
53.) Bracket(brass) (speaker)(12.0x9.7mm)(5.0mmstep) (roundedendbymountinghole)	IH-0000322	1.00			
54.) Speaker(STAR) (FR-050-A1421)(16ohms)(5W)(50.0mmspeaker)	BF-0000022	10.00			
55.) Gasket (black)(speaker)(foam) (46.0x51.0mm)(4.5mmthick)(for50.0mmspeakers)	IB-0000011	1.00			
56.) Fuel tank (blackw/redmarkings) (NYC)(#6041)(#6050)(#6054)	FC-2101297	*20.00			
Fuel tank(black,red) (Burlington)(#279)(#284)(#287)	FC-2101298	*20.00			
Fuel tank(black) (RockIsland)(#1204)(#1211)(#1236)	FC-2101299	*20.00			
Fuel tank (bluew/red&silvermarkings) (EMD)(#100)(#200)(#300)	FC-2101300	*20.00			
57.) Screw (M3x12.0mm)(washerhead)(self-drilling)	IA-0000133	0.15			
58.) Volumepot (smallvolumepot)(bluew/greenboard)	BI-0000040	5.00			
59.) Spacer(black) (3.0x6.0x4.3mm)(plastic)	ID-0000071	0.15			
60.) Batterychargerjack(complete)	BG-0000001	3.00			
61.) Nut(nickel) (2.5x5.0x10.0mm)(formountingpick-up)	IC-0000005	0.50			
62.) Insulator(black) (pick-up)(bottom)(flatw/rect.box)(18.0x30.0mm)	BD-0000039	2.00			
63.) Pick-up (8.0x11.0mmlong)(28.0mmlong)	BD-0000025	5.00			
64.) Snowplow(black) (NYC)(#6041)(#6050)(#6054) (RockIsland)(#1204)(#1211)(#1236)	FH-2130001	4.00			
Snow plow(red) (Burlington)(#279)(#284)(#287)	FH-2130019	4.00			
Snowplow(blue) (EMD)(#100)(#200)(#300)	FH-2130020	4.00			
NS.) Airhoses(black)(3lines)	FC-2100711	3.00			
NS.) Wireharness (blackmale12pinplug)	BC-2100038	25.00			
NS.) Wireharness (blackmale7pinplug)	BC-2100039	10.00			
NS.) Wireharness (blackmale5pinplug)(formotors)	BC-2200022	4.00			
NS.) Wireharness (blackmale4pinplug)(smokeunit)	BC-1200137	4.00			

\*Requires Exchange  
Allpartsarepricedaseach



# GP-7/9 Diesel Engine Chassis Parts



# Smoke Unit Proto-Sound® 2.0

## Smoke Unit Parts

Name and Number	Part #	\$Price Per Unit
1.) Screw (4/40x6.0mm)(roundhead)	IA-0000003	0.15
2.) Gasket(burntorange) (forstandardsmokeunit)(25.0x37.0mm)(0.5mmthick)	IB-0000006	2.00
3.) Screw (M1.4x3.0mm)(roundhead)	IA-0000120	0.15
4.) Fan impeller(black) (plastic)(forsmokeunit)	AI-0000019	2.00
5.) Heating elements (forsmokeunit)	AI-0000018	2.00
6.) Wick (white) (forsmokeunit)(4"long)(soldasapair) (requires2wickspersmokeunit)	AA-0000001	1.00
7.) Motor (forsmokeunit)(wireharnessnotincluded)	BE-0000041	5.00

All parts are priced as each

