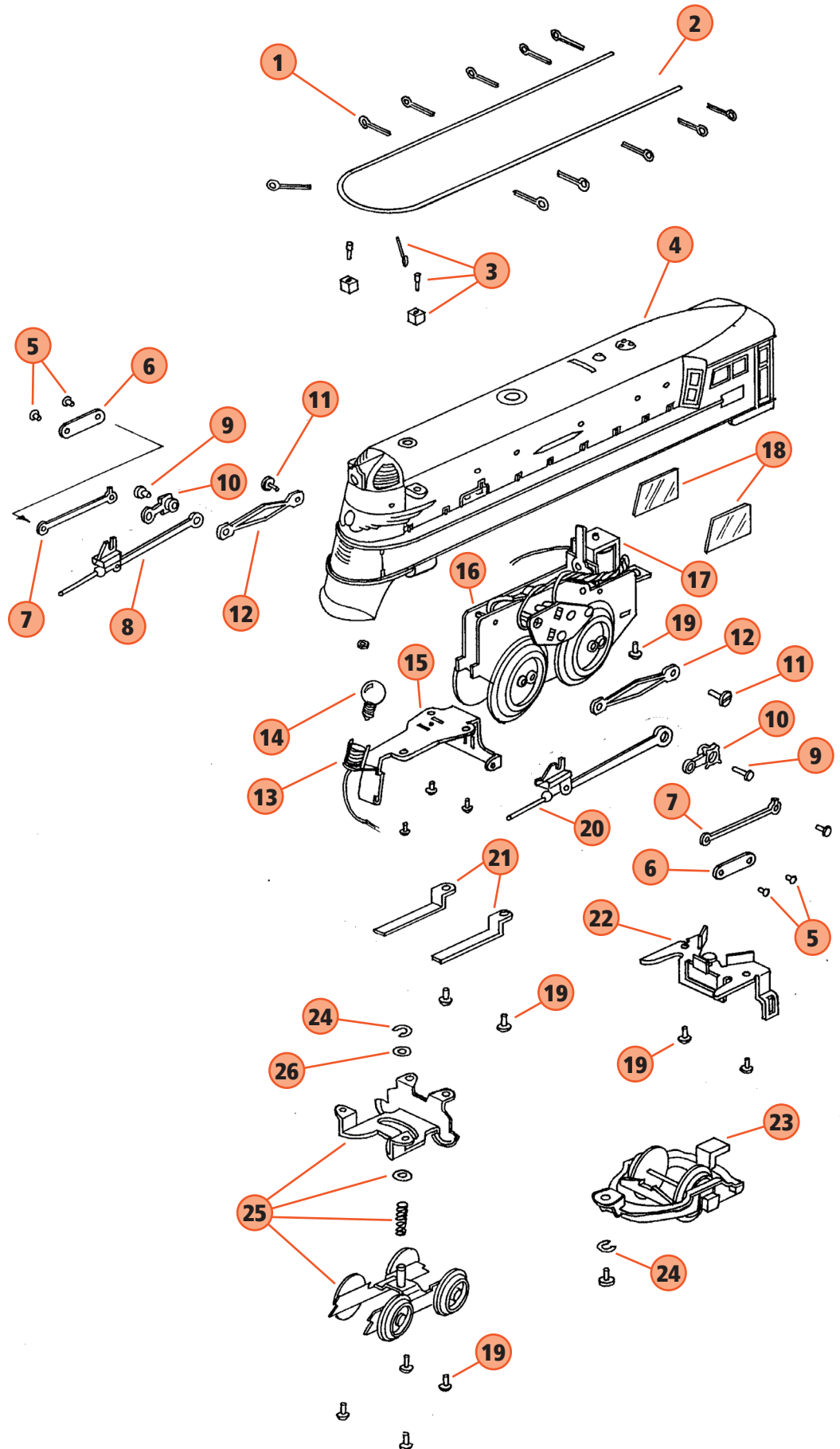


HIAWATHA LOCOMOTIVE

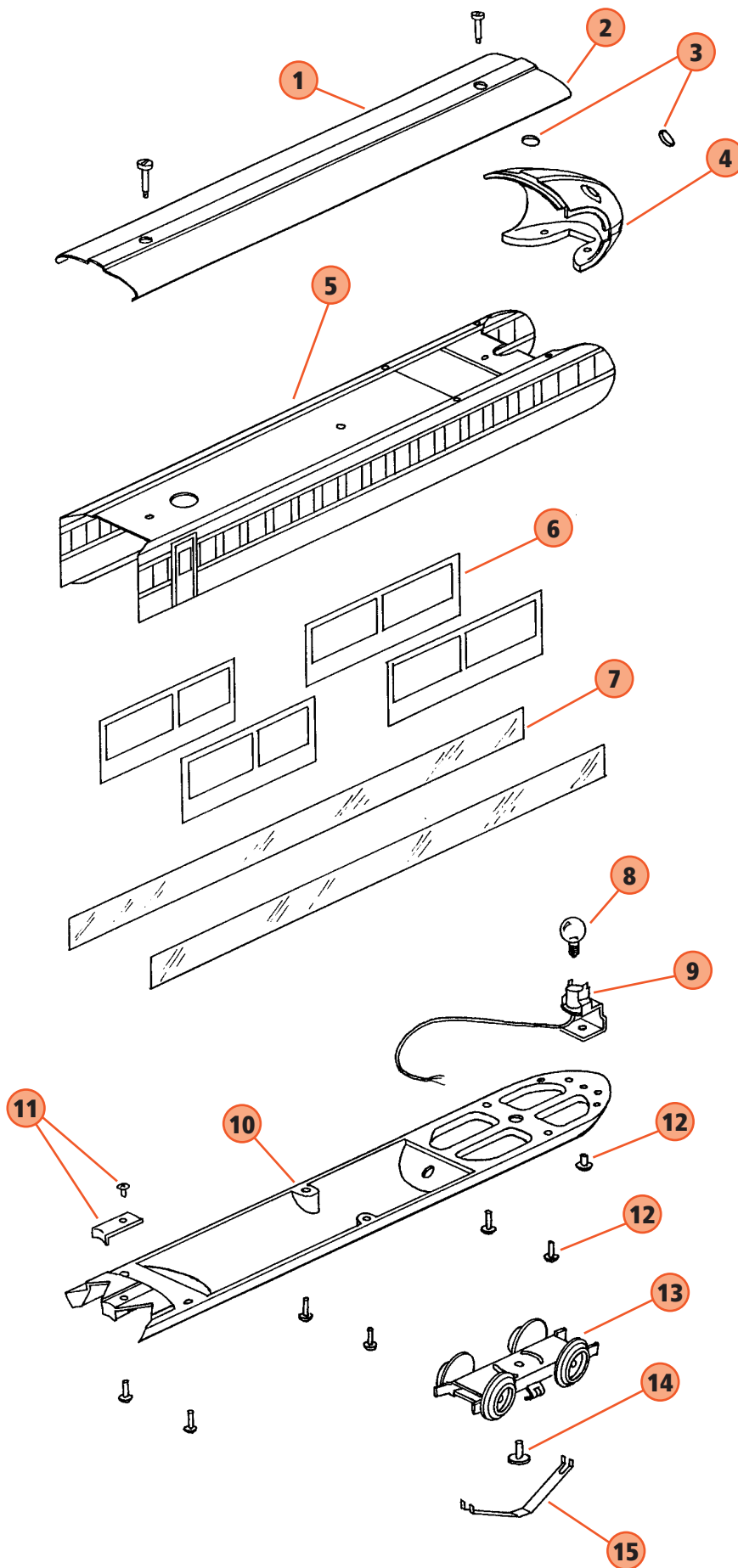
1. UNDEFINED
2. UNDEFINED
3. TP-OH00021
JEWEL W/SCREW & NUT 2 PER LOCO
4. TP-OH00010
BOILER PAINTED
5. UNDEFINED
6. UNDEFINED
7. UNDEFINED
8. TP-OH00036
SIDE ROD W/CROSSHEAD RT
9. TP-OH00032
ECENTRIC CRANK SCREW
10. TP-OH00015
ECENTRIC CRANK NICKEL
11. TP-OH00031
CRANK PIN SCREW SHOULDERED
SHORT REAR
12. TP-OH00035
SIDE ROD
13. UNDEFINED
14. TP-MS00016
BULB
15. UNDEFINED
16. TP-OH00034
MOTOR COMPLETE
W/O REVERSE UNIT
17. TP-MS00030
E-UNIT ARM UP PREWAR
18. UNDEFINED
19. TP-MS00059
SCREW 6/32X3/16
20. TP-OH00037
SIDE ROD W/CROSSHEAD LT
21. UNDEFINED
22. TP-OH00025
STEP FRAME FOR REAR CAB NICKEL
23. TP-OH00027
TRUCK TRAILING COMPLETE CAST
24. TP-OT00013
C-CLIP
25. TP-OH00026
TRUCK LEADING COMPLETE STEEL
26. TP-OT00028
WASHER



HIAWATHA, UNION PACIFIC, RAILCHIEF OBSERVATION CAR 754, 784, 794, 884

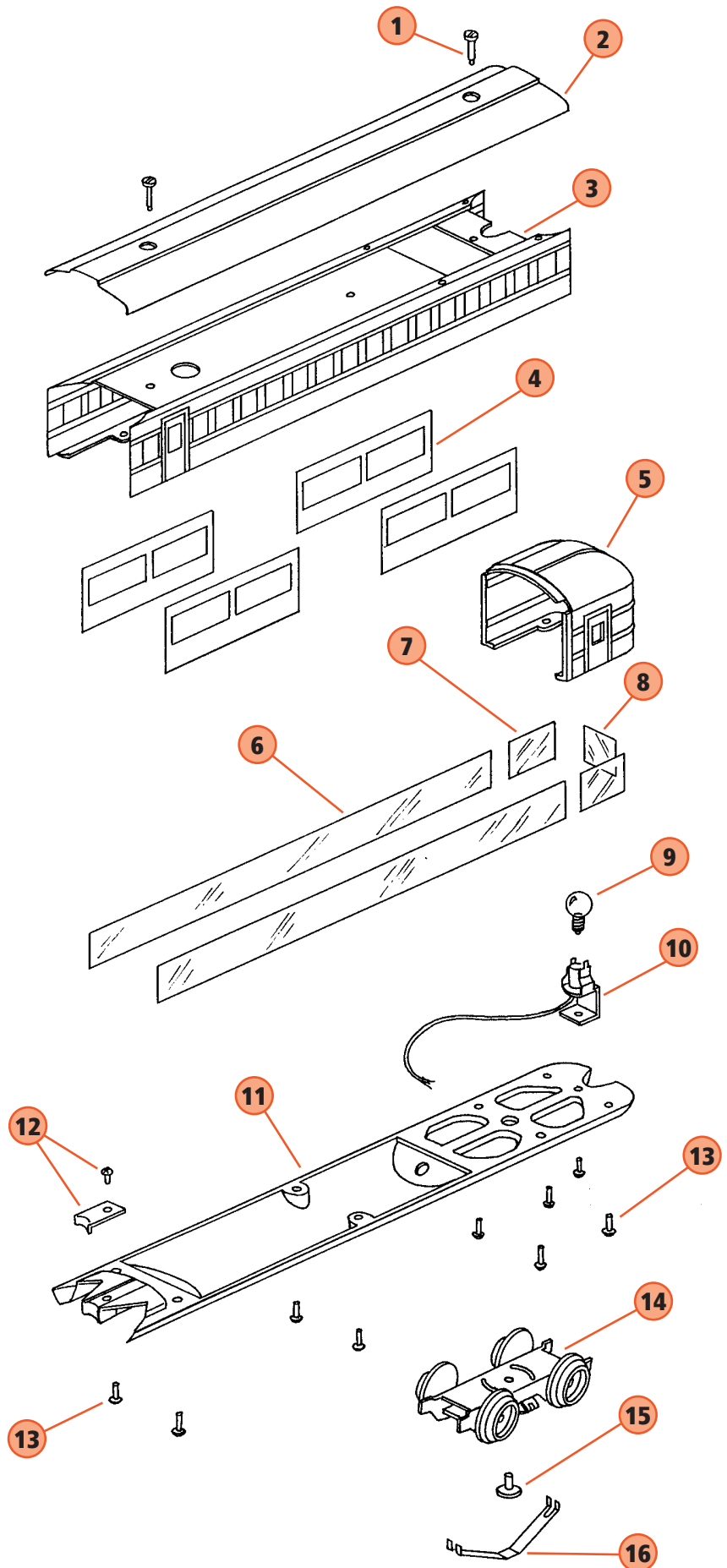
LIONEL ELECTRIC TRAINS
MODEL RAILROAD ACCESSORIES
LIONEL CORPORATION TINPLATE

1. UNDEFINED
2. UNDEFINED
3. TP-SL00035
BOILER FRONT LENS (RED)
4. TP-OH00022
OBS. CASTING REAR CAR
UNPAINTED
- TP-OH00039
OBS. CASTING REAR CAR GRAY
5. UNDEFINED
6. UNDEFINED
7. UNDEFINED
8. TP-MS00016
BULB
9. UNDEFINED
10. TP-OH00013
BOTTOM CASTING, OBS CAR
11. TP-OH00030
COUPLER HOOK
12. TP-MS00060
SCREW 6-32 X 5/16"
13. TP-OH00028
TRUCK LEAD CAR & OBS. CAR
14. TP-SL00141
VALVE GEAR SCREW
15. TP-OH00023
PICKUP SHOE FOR CAR
& VESTIBULE



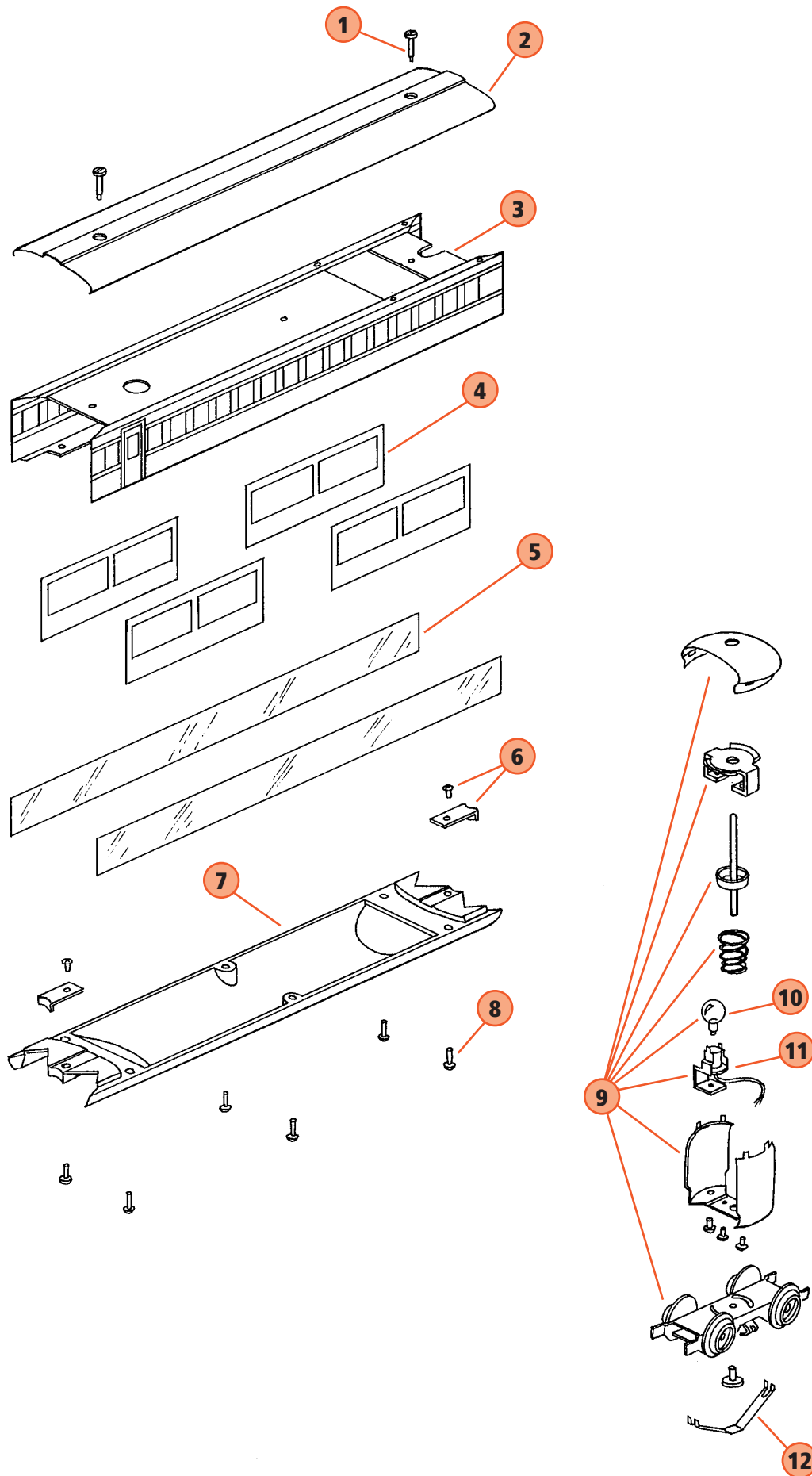
HIAWATHA, UNION PACIFIC, RAILCHIEF HEAD CAR 782, 792, 882

1. UNDEFINED
2. UNDEFINED
3. UNDEFINED
4. UNDEFINED
5. **TP-OH00020**
FRONT CASTING HEAD CAR
UNPAINTED
6. **TP-OH00038**
FRONT CASTING HEAD CAR
ORANGE/GRAY
7. UNDEFINED
8. UNDEFINED
9. **TP-MS00016**
BULB
10. UNDEFINED
11. **TP-OH00011**
BOTTOM CASTING FRONT CAR
12. **TP-OH00030**
COUPLER HOOK
13. **TP-MS00060**
SCREW 6-32 X 5/16"
14. **TP-OH00028**
TRUCK LEAD CAR & OBS. CAR
15. **TP-SL00141**
VALVE GEAR SCREW
16. **TP-OH00023**
PICKUP SHOE FOR CAR
& VESTIBULE



HIAWATHA, UNION PACIFIC, RAILCHIEF COACH CAR 753, 783, 793, 883

1. UNDEFINED
2. UNDEFINED
3. UNDEFINED
4. UNDEFINED
5. UNDEFINED
6. TP-OH00030
COUPLER HOOK
7. TP-OH00012
BOTTOM CASTING COACH CAR
8. TP-MS00060
SCREW 6-32 X 5/16"
9. TP-OH00029
VESTIBULE UNASSEMBLED
UNPAINTED
- TP-OH00040
VESTIBULE PAINTED HIAWATHA
COLORS
10. TP-MS00016
BULB
11. UNDEFINED
12. TP-OH00023
PICKUP SHOE FOR CAR
& VESTIBULE



"O" GAUGE HIAWATHA: TENDER VIEW

1. **TP-ST00017**
DOME SMALL (BRASS)
2. **TP-ST00018**
DOME SMALL (NICKEL)
3. **TP-OH00024**
TENDER DECK (BLACK)
4. **UNDEFINED**
5. **TP-ST00020**
LADDER (BRASS)
6. **TP-ST00021**
LADDER (NICKEL)
7. **TP-ST00040**
WHISTLE
8. **TP-OT00013**
C-CLIP
9. **TP-MS00074**
NUT 4/40
10. **TP-OT00028**
WASHER
11. **TP-OH00019**
FLOOR TENDER
12. **TP-ST00019**
DRAWBAR
13. **UNDEFINED**
14. **TP-ST00014**
COUPLER POCKET SQUARE
15. **TP-OE00022**
CRANK PIN SCREW
SMALL SHOULDERED
16. **TP-OT00024**
TRUCK 6 WHEEL W/PICKUP
17. **TP-OT00025**
TRUCK 6 WHEEL W/O PICKUP
18. **TP-OT00027**
TRUCK CROSSBRACE W/O PICKUP
19. **TP-OT00026**
TRUCK CROSSBRACE W/PICKUP
20. **TP-MS00036**
FIBER INSULATOR
21. **UNDEFINED**
22. **TP-MS00055**
SCREW 4/40 X 3/16
23. **TP-MS00052**
PICKUP SPRING
24. **TP-MS00050**
PICKUP BRACKET
25. **TP-MS00051**
PICKUP ROLLER

